



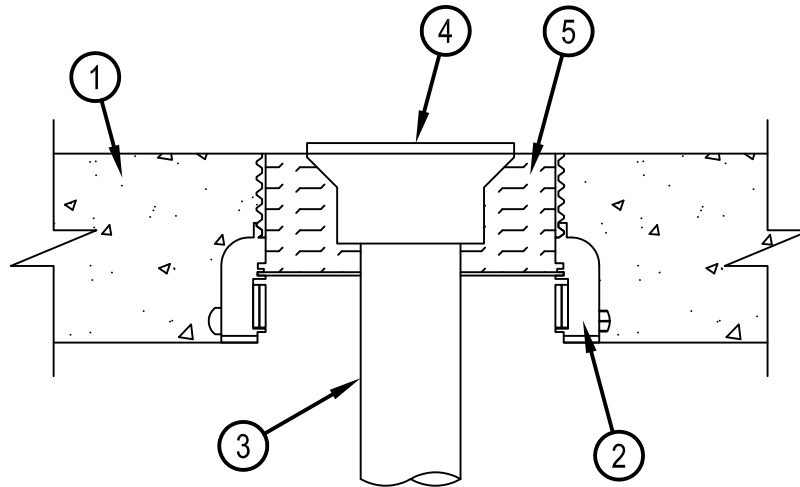
Classified by  
Underwriters Laboratories, Inc.  
to UL 1479

## System No. F-A-2093

F Rating — 2 Hr

T Rating — 0 Hr

FA 2093



1. Floor Assembly — Min 4-1/2 in. (114 mm) thick reinforced lightweight or normal weight (100-150 pcf or 1600-2400 kg/m<sup>3</sup>) concrete.
- 1A. Floor Assembly — (Optional - Not Shown)-The fire rated unprotected concrete and steel floor assembly shall be constructed of the materials and in the manner specified in the individual D900 Series designs in the UL Fire Resistance Directory and as summarized below:
  - A. Concrete — Min 4-1/2 in. (114 mm) thick reinforced lightweight or normal weight (100-150 pcf or 1600-2400 kg/m<sup>3</sup>) concrete.
  - B. Steel Floor and Form Units\* — Composite or non-composite max 3 in. (76 mm) deep galv steel fluted units as specified in the individual Floor-Ceiling Design.
2. Firestop System — Firestop Device\*-Cast in place firestop device permanently embedded during concrete placement or grouted in concrete assembly in accordance with accompanying installation instructions. Device to be cut flush with top surface of the concrete.  
HILTI CONSTRUCTION CHEMICALS, DIV OF HILTI INC — CP 680-75/2-1/2"N, CP 680-110/4"N, CP 680-160/6"N Cast-In Firestop Device, CP 680-P 2", CP 680-P 3", CP 680-P 4", CP 680-P 6", CP 680-PX 2", CP 680-PX 3"
3. Drain Piping — Nom 2 in. (51 mm) diam Schedule 40 cellular or solid core polyvinyl chloride (PVC).
4. Shower Drain Fitting — Polyvinyl chloride (PVC) shower fitting sized to accommodate drain pipe.
5. Packing Material — Min 4 pcf (64 kg/m<sup>3</sup>) mineral wool batt insulation tightly packed into the device flush with the top surface of the floor.  
Packing material is optional when CP680-75/2-1/2"N or CP 680-P(X) 2" is employed for item 2.

\* Indicates such products shall bear the UL or cUL Certification Mark for jurisdictions employing the UL or cUL Certification (such as Canada), respectively.



**Hilti Firestop Systems**

Reproduced by HILTI, Inc. Courtesy of  
Underwriters Laboratories, Inc.

June 29, 2015