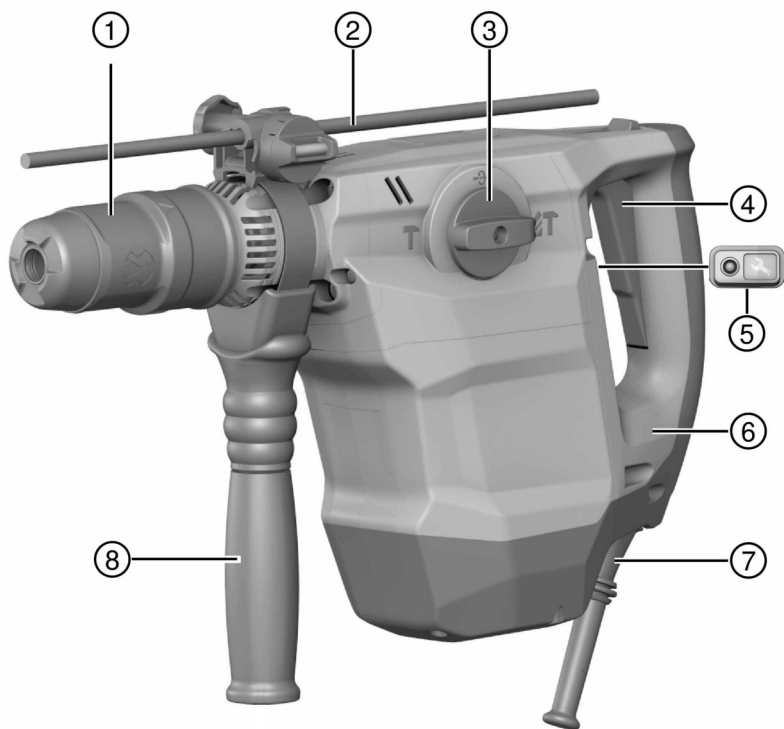


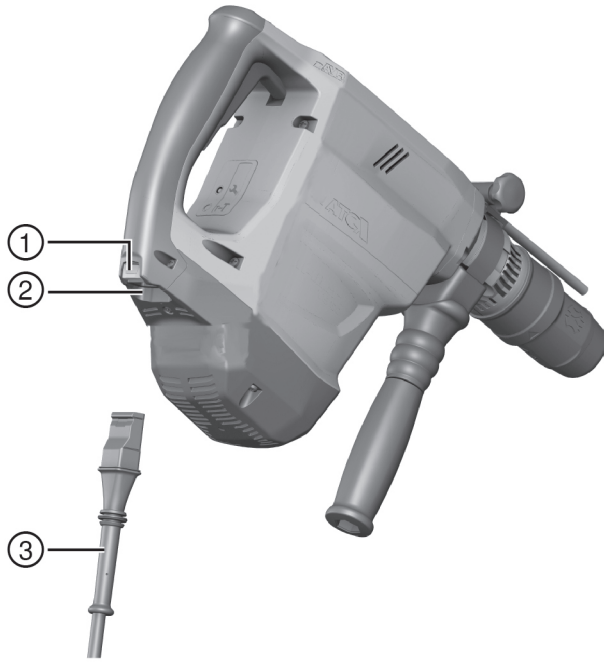


TE 50-AVR (03)

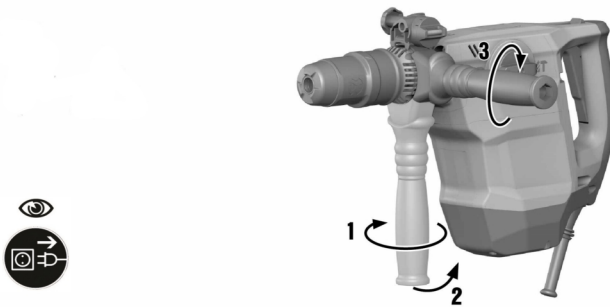
English	1
عربي	11
日本語	21
한국어	29
繁體中文	38
中文	47



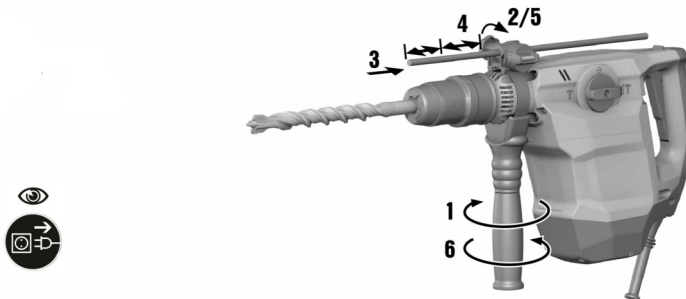
2



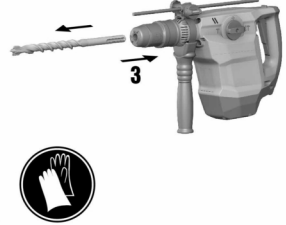
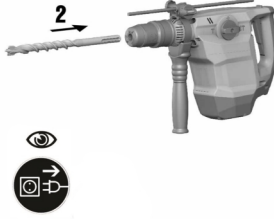
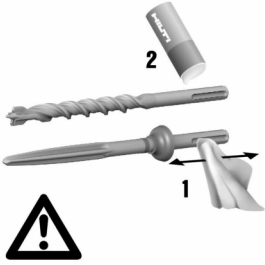
3



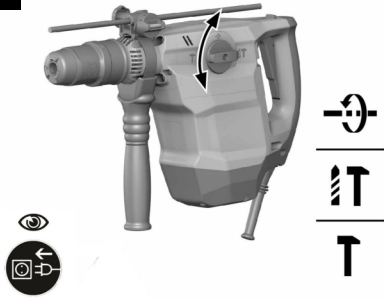
4



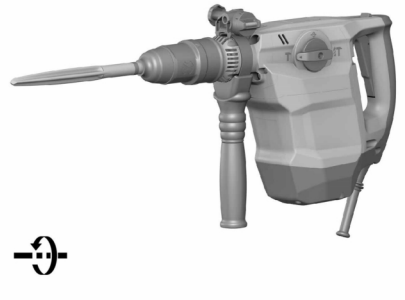
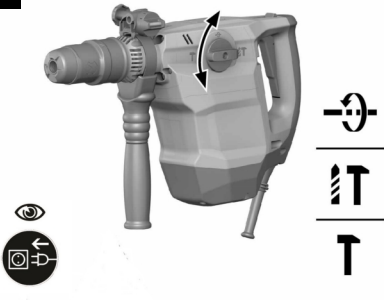
5



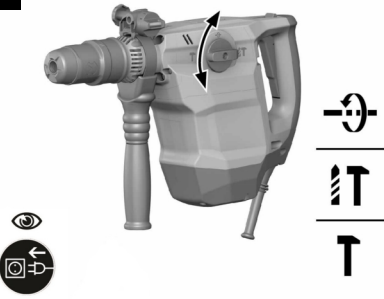
6

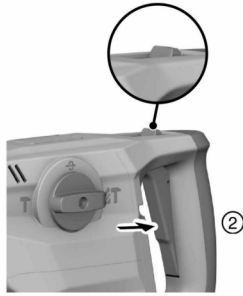


7



8





TE 50-AVR

en	Original operating instructions	1
ar	دليل الاستعمال الأصلي	11
ja	オリジナル取扱説明書	21
ko	오리지널 사용 설명서	29
zh	原始操作說明	38
cn	原版操作说明	47

Original operating instructions

1 Information about the operating instructions

1.1 About these operating instructions

- **Warning!** Read and understand all accompanying documentation, including but not limited to instructions, safety warnings, illustrations, and specifications provided with this product. Familiarize yourself with all the instructions, safety warnings, illustrations, specifications, components, and functions of the product before use. Failure to do so may result in electric shock, fire, and/or serious injury. Save all warnings and instructions for future reference.
- products are designed for professional users and only trained, authorized personnel are permitted to operate, service and maintain the products. This personnel must be specifically informed about the possible hazards. The product and its ancillary equipment can present hazards if used incorrectly by untrained personnel or if used not in accordance with the intended use.
- The accompanying documentation corresponds to the current state of the art at the time of printing. Please always check for the latest version on the product's page on Hilti's website. To do this, follow the link or scan the QR code in this documentation, marked with the symbol
- Ensure that these operating instructions are with the product when it is given to other persons.

1.2 Explanation of symbols

1.2.1 Warnings

Warnings alert persons to hazards that occur when handling or using the product. The following signal words are used:

DANGER

DANGER !

- ▶ Draws attention to imminent danger that will lead to serious personal injury or fatality.

WARNING

WARNING !

- ▶ Draws attention to a potential threat of danger that can lead to serious injury or fatality.

CAUTION

CAUTION !

- ▶ Draws attention to a potentially dangerous situation that could lead to personal injury or damage to the equipment or other property.

1.2.2 Symbols in the operating instructions

The following symbols are used in these operating instructions:

	Comply with the operating instructions
	Instructions for use and other useful information
	Dealing with recyclable materials
	Do not dispose of electric equipment and batteries as household waste

1.2.3 Symbols in illustrations

The following symbols are used in illustrations:

2	These numbers refer to the illustrations at the beginning of these operating instructions.
3	The numbers in illustrations refer to important work steps or to components important for the work steps. In the text, the corresponding numbers draw attention to these work steps or components, e.g. (3) .



	Item reference numbers are used in the overview illustration and refer to the numbers used in the key in the product overview section.
	This symbol is intended to draw your special attention to certain points for handling the product.

1.3 Product-dependent symbols

1.3.1 Symbols on the product

The following symbols are used on the product:

	Drilling with hammer action (hammer drilling)
	Chiseling
	Chisel positioning
	Protection class II (double-insulated)
/min	Revolutions per minute
n_0	Rated speed under no load
\emptyset	Diameter
	Wireless data transfer

2 Safety

2.1 General power tool safety warnings

⚠ WARNING Read all safety warnings, instructions, illustrations and specifications provided with this power tool. Failure to follow all instructions listed below may result in electric shock, fire and/or serious injury. **Save all warnings and instructions for future reference.**

The term "power tool" in the warnings refers to your mains-operated (corded) power tool or battery-operated (cordless) power tool.

Work area safety

- ▶ **Keep work area clean and well lit.** Cluttered or dark areas invite accidents.
- ▶ **Do not operate power tools in explosive atmospheres, such as in the presence of flammable liquids, gases or dust.** Power tools create sparks which may ignite the dust or fumes.
- ▶ **Keep children and bystanders away while operating a power tool.** Distractions can cause you to lose control.

Electrical safety

- ▶ **Power tool plugs must match the outlet. Never modify the plug in any way. Do not use any adapter plugs with earthed (grounded) power tools.** Unmodified plugs and matching outlets will reduce risk of electric shock.
- ▶ **Avoid body contact with earthed or grounded surfaces, such as pipes, radiators, ranges and refrigerators.** There is an increased risk of electric shock if your body is earthed or grounded.
- ▶ **Do not expose power tools to rain or wet conditions.** Water entering a power tool will increase the risk of electric shock.
- ▶ **Do not abuse the cord. Never use the cord for carrying, pulling or unplugging the power tool. Keep cord away from heat, oil, sharp edges or moving parts.** Damaged or entangled cords increase the risk of electric shock.
- ▶ **When operating a power tool outdoors, use an extension cord suitable for outdoor use.** Use of a cord suitable for outdoor use reduces the risk of electric shock.
- ▶ **If operating a power tool in a damp location is unavoidable, use a residual current device (RCD) protected supply.** Use of an RCD reduces the risk of electric shock.

Personal safety

- ▶ **Stay alert, watch what you are doing and use common sense when operating a power tool. Do not use a power tool while you are tired or under the influence of drugs, alcohol or medication.** A moment of inattention while operating power tools may result in serious personal injury.



- ▶ **Use personal protective equipment. Always wear eye protection.** Protective equipment such as a dust mask, non-skid safety shoes, hard hat or hearing protection used for appropriate conditions will reduce personal injuries.
- ▶ **Prevent unintentional starting. Ensure the switch is in the off-position before connecting to power source and/or battery pack, picking up or carrying the tool.** Carrying power tools with your finger on the switch or energising power tools that have the switch on invites accidents.
- ▶ **Remove any adjusting key or wrench before turning the power tool on.** A wrench or a key left attached to a rotating part of the power tool may result in personal injury.
- ▶ **Do not overreach. Keep proper footing and balance at all times.** This enables better control of the power tool in unexpected situations.
- ▶ **Dress properly. Do not wear loose clothing or jewellery. Keep your hair and clothing away from moving parts.** Loose clothes, jewellery or long hair can be caught in moving parts.
- ▶ **If devices are provided for the connection of dust extraction and collection facilities, ensure these are connected and properly used.** Use of dust collection can reduce dust-related hazards.
- ▶ **Do not let familiarity gained from frequent use of tools allow you to become complacent and ignore tool safety principles.** A careless action can cause severe injury within a fraction of a second.

Power tool use and care

- ▶ **Do not force the power tool. Use the correct power tool for your application.** The correct power tool will do the job better and safer at the rate for which it was designed.
- ▶ **Do not use the power tool if the switch does not turn it on and off.** Any power tool that cannot be controlled with the switch is dangerous and must be repaired.
- ▶ **Disconnect the plug from the power source and/or remove the battery pack, if detachable, from the power tool before making any adjustments, changing accessories, or storing power tools.** Such preventive safety measures reduce the risk of starting the power tool accidentally.
- ▶ **Store idle power tools out of the reach of children and do not allow persons unfamiliar with the power tool or these instructions to operate the power tool.** Power tools are dangerous in the hands of untrained users.
- ▶ **Maintain power tools and accessories. Check for misalignment or binding of moving parts, breakage of parts and any other condition that may affect the power tool's operation. If damaged, have the power tool repaired before use.** Many accidents are caused by poorly maintained power tools.
- ▶ **Keep cutting tools sharp and clean.** Properly maintained cutting tools with sharp cutting edges are less likely to bind and are easier to control.
- ▶ **Use the power tool, accessories and tool bits etc. in accordance with these instructions, taking into account the working conditions and the work to be performed.** Use of the power tool for operations different from those intended could result in a hazardous situation.
- ▶ **Keep handles and grasping surfaces dry, clean and free from oil and grease.** Slippery handles and grasping surfaces do not allow for safe handling and control of the tool in unexpected situations.

Service

- ▶ **Have your power tool serviced by a qualified repair person using only identical replacement parts.** This will ensure that the safety of the power tool is maintained.

2.2 Hammer safety warnings

Safety instructions for all operations

- ▶ **Wear ear protectors.** Exposure to noise can cause hearing loss.
- ▶ **Use auxiliary handle(s), if supplied with the tool.** Loss of control can cause personal injury.
- ▶ **Hold the power tool by insulated gripping surfaces, when performing an operation where the cutting accessory may contact hidden wiring or its own cord.** Cutting accessory contacting a "live" wire may make exposed metal parts of the power tool "live" and could give the operator an electric shock.

Safety instructions when using long drill bits with rotary hammers

- ▶ **Always start drilling at low speed and with the bit tip in contact with the workpiece.** At higher speeds, the bit is likely to bend if allowed to rotate freely without contacting the workpiece, resulting in personal injury.
- ▶ **Apply pressure only in direct line with the bit and do not apply excessive pressure.** Bits can bend causing breakage or loss of control, resulting in personal injury.



2.3 Additional safety instructions

Personal safety

- ▶ Use the product only when it is in technically faultless condition.
- ▶ Never tamper with or modify the tool in any way.
- ▶ Apply appropriate safety measures at the opposite side of the workpiece in work that involves breaking through. Parts breaking away could fall out and / or fall down causing injury to other persons.
- ▶ Always hold the tool firmly with both hands on the grips provided. Keep the grips clean and dry.
- ▶ Always grip the side handle at the outer end. The tool can twist off to the side when used for drilling or screwdriving.
- ▶ Do not touch rotating parts – risk of injury!
- ▶ Wear suitable eye protection, a hard hat, hearing protection and light respiratory protection while the tool is in use.
- ▶ Wear protective gloves also when changing the accessory tool. Touching the accessory tool can result in cuts and burns.
- ▶ Wear eye protection. Flying fragments can injure the body and eyes.
- ▶ Before beginning the work, check the hazard classification of the dust that will be produced. Use an industrial vacuum cleaner with an officially approved protection classification in compliance with locally applicable dust protection regulations.
- ▶ Use a dust removal system and suitable mobile dust extractor whenever possible. Dust from materials such as lead-based paint, certain types of wood and concrete/masonry/stone containing quartz, minerals or metal may be harmful to health.
- ▶ Make sure that the workplace is well ventilated and, where necessary, wear a dust mask appropriate for the type of dust generated. Contact with or inhalation of the dust can cause allergic reactions and/or respiratory or other diseases among operators or bystanders. Certain kinds of dust, such as oak and beech dust, are classified as carcinogenic, especially in conjunction with additives for treating wood (chromate, wood preservative). Only specialists are permitted to handle material containing asbestos.
- ▶ Take breaks and do physical exercises to improve the blood circulation in your fingers. Exposure to vibration during long periods of work can lead to disorders of the blood vessels and nervous system in the fingers, hands and wrists.

Electrical safety

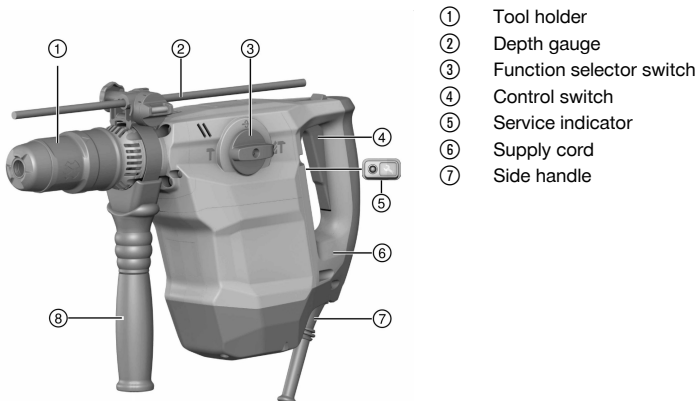
- ▶ Before beginning work, check the working area for concealed electric cables or gas and water pipes. External metal parts of the power tool can become live, presenting a risk of electric shock, if you accidentally damage an electric cable.

Power tool use and care

- ▶ Immediately switch off the power tool if the accessory tool jams. The power tool might twist off-line.
- ▶ Wait until the power tool stops completely before you lay it down.

3 Description

3.1 Product overview



3.2 Version with detachable supply cord

- ① Lockbutton
- ③ Supply cord with keyed, releasable plug connector
- ② Connector on electric tool

3.3 Intended use

The product described is an electrically-powered combihammer with pneumatic hammering mechanism. It is designed for drilling in concrete, masonry, wood and metal. The product can also be used for light to medium-duty chiseling on masonry and surface finishing work on concrete.

- ▶ Operation is permissible only when connected to a power source providing a voltage and frequency in compliance with the information given on the type identification plate.

3.4 Possible misuse

- This product is not suitable for working on hazardous materials.
- This product is not suitable for working in a damp environment.

3.5 Active Vibration Reduction

The tool is equipped with an Active Vibration Reduction (AVR) system which reduces vibration noticeably.

3.6 Quick-release chuck (accessory)

The quick-release chuck makes changing accessory tools a quick operation with no additional tools needed. It is suitable for accessory tools with cylindrical or hexagonal shank used in the "Without hammering action " mode.

3.7 Service indicator

The product has an LED service indicator.

Status	Meaning
Service indicator shows	Servicing is due.
Service indicator flashes	The product is faulty. Have the combihammer repaired by Hilti Service .

3.8 Items supplied

Combihammer, side handle, operating instructions.

Other system products approved for use with this product can be found at your local **Hilti Store** or at: www.hilti.group

4 Technical data

4.1 Combihammer

For rated voltage, rated current, frequency and/or input power, refer to the country-specific type identification plate.

If the device is powered by a generator or transformer, the generator or transformer's power output must be at least twice the rated input power shown on the rating plate of the device. The operating voltage of the transformer or generator must always be within +5 % and -15 % of the rated voltage of the device.

	TE 50-AVR
Product generation	03
Weight in accordance with EPTA procedure 01	6.1 kg
Storage temperature	-20 °C ... 70 °C
Ambient temperature for operation	-17 °C ... 60 °C
Ø hammer drill bits	12 mm ... 32 mm



	TE 50-AVR
Ø drill bits for wood	6 mm ... 35 mm
Ø drill bits for metal	6 mm ... 13 mm



4.2 Noise information and vibration values

The sound pressure and vibration values given in these instructions were measured in accordance with a standardized test and can be used to compare one power tool with another. They can also be used for a preliminary assessment of exposure.

The data given represent the main applications of the power tool. However, if the power tool is used for different applications, with different accessory tools, or is poorly maintained, the data can vary. This can significantly increase exposure over the total working period.

An accurate estimation of exposure should also take into account the times when the power tool is switched off, or when it is running but not actually being used for a job. This can significantly reduce exposure over the total working period.

Identify additional safety measures to protect the operator from the effects of noise and/or vibration, for example: maintaining the power tool and accessory tools, keeping the hands warm, organization of work patterns.

 Detailed information on the versions of the **EN 62841** standards applied here is to be found in the reproduction of the declaration of conformity  56.

Noise emission values

	TE 50-AVR
Sound (power) level (L_{WA})	108 dB(A)
Uncertainty for the sound power level (K_{WA})	3 dB(A)
Sound pressure level (L_{pA})	100 dB(A)
Uncertainty for the sound pressure level (K_{pA})	3 dB(A)

Total vibration

	TE 50-AVR
Drilling in metal ($a_{h,D}$)	< 5 m/s ²
Hammer drilling in concrete ($a_{h,HD}$)	8.8 m/s ²
Chiseling ($a_{h,ChEq}$)	7.1 m/s ²
Uncertainty for the given vibration value (K)	1.5 m/s ²

5 Operation

5.1 Preparations at the workplace

CAUTION

Risk of injury! Inadvertent starting of the product.

- ▶ Unplug the supply cord before making adjustments to the power tool or before changing accessories.

Observe the safety instructions and warnings in this documentation and on the product.

5.1.1 Fitting the side handle

1. Release the side handle clamping band by turning the handle grip.
2. Slide the side handle clamping band over the tool holder from the front and into the recess provided.
3. Bring the side handle into the desired position.
4. Tighten the side handle clamping band by turning the handle grip.

5.1.2 Fitting the depth gauge (optional)

1. Release the side handle clamping band by turning the handle grip.
2. Slide the depth gauge from the front into the 2 guide holes provided.



3. Tighten the side handle clamping band by turning the handle grip.
 - ▶ The depth gauge is fitted. To set the drilling depth:
4. Release the screw at the depth gauge.
5. Adjust the depth gauge to the desired drilling depth.
6. Tighten the screw at the depth gauge.

5.1.3 Fitting/removing the accessory tool

CAUTION

Risk of injury by the accessory tool! The accessory tool might be hot or have sharp edges.

- ▶ Wear protective gloves when changing the accessory tool.

1. Apply a little grease to the connection end of the accessory tool.
2. Push the accessory tool into the chuck as far as it will go (until it engages).
 - ▶ The product is ready for use.
3. Pull the chuck back as far as it will go and remove the accessory tool.



Use only the recommended grease supplied by Hilti. Use of unsuitable grease may cause damage to the product.

5.2 Types of work

CAUTION

Risk of damage by incorrect handling!

- ▶ Do not operate the switches for direction of rotation and/or function selection during operation.

Observe the safety instructions and warnings in this documentation and on the product.

5.2.1 Drilling with hammering action (hammer drilling)

1. Set the function selector switch to the “Hammer drilling” position
2. Press the drill bit against the work surface.
3. Press the control switch.
 - ▶ The product starts.

5.3 Chisel positioning

CAUTION

Risk of injury! Loss of control over the chisel direction.

- ▶ Do not operate the tool when the selector switch is set to “Chisel positioning”. Turn the function selector switch until it engages in the “Chiseling” position.



The chisel can be adjusted to 24 different positions (in 15° increments). This ensures that flat chisels and shaped chisels can always be set to the optimum working position.

1. Set the function selector switch to the “Chisel positioning” position
2. Rotate the chisel to the desired position.
3. Turn the function selector switch until it engages in the “Chiseling” position.
 - ▶ The product is ready for use.

5.3.1 Chiseling

- ▶ Set the function selector switch to the “Chiseling” position .

5.3.2 Switching sustained operation on and off



When chiseling, the on/off switch can be locked in the “on” position.

1. Push the lockbutton for continuous operation forward.



2. Press the on/off switch as far as it will go.
 - ▶ The product then runs in sustained operating mode.
3. Push the lockbutton for continuous operation back.
 - ▶ The product switches off.

6 Detachable supply cord

6.1 Connecting the detachable supply cord

CAUTION

Risk of injury! Due to leakage current as a result of dirty contacts.

- ▶ Connect the detachable electric connector to the electric tool only when it is clean and dry and when the supply cord is unplugged from the power outlet.
-
1. Push the keyed, detachable electric plug connector into the socket as far as it will go, until it is heard to engage.
 2. Plug the supply cord into the power outlet.

6.2 Disconnecting the detachable supply cord

1. Unplug the supply cord from the power outlet.
2. Press the release button and pull the keyed, detachable electric plug connector out of the socket.
3. Pull the supply cord connector out of the power tool.

7 Care and maintenance

WARNING

Electric shock hazard! Attempting care and maintenance with the supply cord connected to a power outlet can lead to severe injury and burns.

- ▶ Always unplug the supply cord before carrying out care and maintenance tasks.
-

Care


- Carefully remove stubborn dirt from the tool.
- Clean the air vents carefully with a dry brush.
- Use only a slightly damp cloth to clean the casing. Do not use cleaning agents containing silicone as they can attack the plastic parts.

Maintenance

WARNING

Danger of electric shock! Improper repairs to electrical components may lead to serious injuries including burns.

- ▶ Repairs to the electrical section of the tool or appliance may be carried out only by trained electrical specialists.
-
- Check all visible parts and controls for signs of damage at regular intervals and make sure that they all function correctly.
 - Do not operate the product if signs of damage are found or if parts malfunction. Have it repaired immediately by **Hilti** Service.
 - After cleaning and maintenance, fit all guards or protective devices and check that they function correctly.

 To help ensure safe and reliable operation, use only genuine Hilti spare parts and consumables. Spare parts, consumables and accessories approved by Hilti for use with the product can be found at your local **Hilti Store** or online at: www.hilti.group.

8 Transport and storage

- Do not transport electric tools with accessory tools fitted.
- Always unplug the supply cord before storing an electric tool or appliance.
- Store tools and appliances in a dry place where they cannot be accessed by children or unauthorized persons.



- Check electric tools or appliances for damage after long periods of transport or storage.

9 Troubleshooting

If the trouble you are experiencing is not listed in this table or you are unable to remedy the problem by yourself, please contact **Hilti Service**.

9.1 Troubleshooting

Trouble or fault	Possible cause	Action to be taken
The power tool doesn't start.	Interruption in the electric supply.	▶ Plug in another electric tool or appliance and check whether it works.
	The electronic restart interlock is activated after an interruption in the electric supply.	▶ Switch the power tool off and then on again.
No hammering action.	The power tool is too cold.	▶ Bring the tip of the drill bit into contact with the working surface, switch the rotary hammer on and allow it to run. If necessary, repeat the procedure until the hammering mechanism begins to operate.
The combihammer doesn't achieve full power.	The gauge (cross section) of the extension cord conductors is inadequate.	▶ Use an extension cord with an adequate conductor cross section.
	The voltage provided by the electric supply is too low.	▶ Connect the combihammer to a different electric supply.
The drill bit doesn't rotate.	The function selector switch is not engaged or is in the T "Chiseling" or \rightarrow "Chisel adjustment" position.	▶ Set the function selector switch to the "Hammer drilling" position HT .
The drill bit can't be released.	The chuck is not pulled back fully.	▶ Pull the tool lock back as far as it will go and remove the accessory tool.
	The side handle is not fitted correctly.	▶ Release the side handle and refit it correctly so that the clamping band and side handle engage in the recess.
The service indicator lights after changing the carbon brushes.	The contact surfaces are not yet run in.	▶ Run in the carbon brushes by allowing the power tool to run under no load for at least 1 minute without interruption.

10 Disposal

Most of the materials from which **Hilti** tools and appliances are manufactured can be recycled. The materials must be correctly separated before they can be recycled. In many countries, your old tools, machines or appliances can be returned to **Hilti** for recycling. Ask **Hilti Service** or your Hilti representative for further information.



- ▶ Do not dispose of power tools, electronic equipment or batteries as household waste!

11 RoHS (Restriction of Hazardous Substances)

Click on the link to go to the table of hazardous substances: qr.hilti.com/r4902202.

There is a link to the RoHS table, in the form of a QR code, at the end of this document.



12 Manufacturer's warranty


- ▶ Please contact your local **Hilti** representative if you have questions about the warranty conditions.



دليل الاستعمال الأصلي

1 بيانات بخصوص دليل الاستعمال

1.1 خاص بدليل الاستعمال هذا

- **تحذير!** قبل أن تستخدم المنتج، تأكد أنك قد قرأت واستوعبت دليل الاستعمال المرفق مع المنتج، بما في ذلك الإرشادات وتعليمات السلامة والتحذير والصور والمواصفات. تعرف بصفة خاصة على جميع الإرشادات وتعليمات السلامة والتحذير والصور والمواصفات وكذلك المكونات والوظائف. في حالة عدم مراعاة ذلك، يكون هناك خطر حدوث صعق كهربائي أو نشوب حريق و/أو وقوع إصابات بالغة. احتفظ بدليل الاستعمال شاملاً جميع الإرشادات وتعليمات السلامة والتحذير للاستخدام اللاحق.
- منتجات **HILTI** مصممة للمستخدمين المحترفين ويقتصر استعمالها وصيانتها وإصلاحها على الأشخاص المعتمدين والمدربين جيداً. هؤلاء الأشخاص يجب أن يكونوا قد تلقوا تدريباً خاصاً على الأخطار الطارئة. قد يتسبب الجهاز وأدواته المساعدة في حدوث أخطار إذا تم التعامل معها بشكل غير سليم فنياً من قبل أشخاص غير مدربين أو تم استخدامها بشكل غير مطابق للتعليمات.
- دليل الاستعمال المرفق يتطابق مع الوضع الحالي للتقنية وقت الطباعة. يمكنك دائماً العثور على الإصدار أونلاين على صفحة المنتج Hilti. ولهذا الغرض، اتبع الرابط أو كود QR في دليل الاستعمال هذا والمميز بالرمز .
- لا يجوز تسليم المنتج إلى أي شخص إلا مع دليل الاستعمال هذا.

2.1 شرح العلامات

1.2.1 إرشادات تحذيرية

تنبه الإرشادات التحذيرية إلى الأخطار الناشئة عند التعامل مع الجهاز. يتم استخدام الكلمات الدلالية التالية:



خطر

خطر!

• تشير لخطر مباشر يؤدي لإصابات جسدية خطيرة أو إلى الوفاة.



تحذير

تحذير!

• تشير لخطر محتمل قد يؤدي لإصابات جسدية خطيرة أو إلى الوفاة.







احترس!

احترس!

• تشير لموقف خطر محتمل يمكن أن يؤدي لإصابات جسدية أو أضرار مادية.

2.2.1 الرموز في دليل الاستعمال

يتم استخدام الرموز التالية في دليل الاستعمال هذا:

يراعى دليل الاستعمال	
إرشادات الاستخدام ومعلومات أخرى مفيدة.	
التعامل مع مواد قابلة لإعادة التدوير	
لا تتخلص من الأجهزة الكهربائية البطاريات ضمن القمامة المنزلية	

3.2.1 الرموز في الصور

تستخدم الرموز التالية في الرسوم التوضيحية:

2 تشير هذه الأعداد إلى الصورة المعنية في بداية دليل الاستعمال هذا.



3	تشير الأرقام في الصور إلى خطوات العمل المهمة أو إلى الأجزاء المهمة لخطوات العمل. يتم إبراز هذه الخطوات أو الأجزاء في النص من خلال الأرقام، على سبيل المثال (3).
11	يتم استخدام أرقام المواضع في صورة العرض العام وهي تشير إلى أرقام تعليق الصورة في فصل عرض عام للمنتج.
	هذه العلامة من شأنها أن تثير انتباهك جيدا عند التعامل مع المنتج.

3.1 الرموز المرتبطة بالمنتج

1.3.1 الرموز على المنتج

يتم استخدام الرموز التالية على المنتج:

	الثقب بالطرق (الثقب المطرفي)
	النقر بالإزميل
	تحديد موضع الإزميل
	فئة الحماية II (عزل مزدوج)
/min	عدد اللفات في الدقيقة
n ₀	عدد اللفات الاسمي في الوضع المحايد
∅	القطر
	نقل البيانات لاسلكيا

2 السلامة

1.2 إرشادات السلامة العامة المتعلقة بالأدوات الكهربائية

⚠ تحذير احرص على قراءة جميع إرشادات السلامة، التوجيهات، الصور التوضيحية والمواصفات الفنية المرفقة مع هذه الأداة الكهربائية. أي تقصير أو إهمال في الالتزام بالتعليمات التالية قد يتسبب في حدوث صعق كهربائي، نشوب حريق و/أو وقوع إصابات خطيرة.

احتفظ بجميع مستندات إرشادات السلامة والتعليمات لاستخدامها عند الحاجة إليها فيما بعد. يقصد بمصطلح «الأداة الكهربائية» المذكور في إرشادات السلامة الأدوات الكهربائية المشغلة بالكهرباء، (باستخدام كابل الكهرباء) أو الأدوات الكهربائية المشغلة بالبطاريات (بدون كابل الكهرباء).

سلامة مكان العمل

- حافظ على نطاق عملك نظيفا ومضاء بشكل جيد. الفوضى أو أماكن العمل غير المضاء يمكن أن تؤدي لوقوع حوادث.
- لا تعمل بالأداة الكهربائية في محيط معرض لخطر الانفجار يتواجد به سوائل أو غازات أو أنواع غبار قابلة للاشتعال. الأدوات الكهربائية تولد شررا يمكن أن يؤدي لإشعال الغبار والأبخرة.
- احرص على إبعاد الأطفال والأشخاص الآخرين أثناء استخدام الأداة الكهربائية. في حالة انصراف انتباهك قد تفقد السيطرة على الجهاز.

السلامة الكهربائية

- يجب أن يكون قابس توصيل الأداة الكهربائية متلائما مع المقبس. لا يجوز تعديل القابس بأي حال من الأحوال. لا تستخدم قوايس مهايأة مع أدوات كهربائية ذات وصلة أرضي محمية. القوايس غير المعدلة والمقابس الملائمة تقلل من خطر حدوث صدمة كهربائية.
- تجنب حدوث تلامس للجسم مع أسطح مؤرضة مثل الأسطح الفاصلة بالمواسير وأجهزة التدفئة والمواقد والثلاجات. ينشأ خطر متزايد من حدوث صدمة كهربائية عندما يكون جسمك متصلا بالأرض.
- أبعد الأدوات الكهربائية عن الأمطار أو البلل. تسرب الماء إلى داخل الأداة الكهربائية يزيد من خطر حدوث صدمة كهربائية.
- لا تستخدم كابل التوصيل لحمل الأداة الكهربائية أو تعليقها أو لسحب القابس من المقبس. احتفظ بكابل التوصيل بعيدا عن السخونة والزيت والمواف الحادة والأجزاء المتحركة. كابلات التوصيل التالفة أو المتشابهة تزيد من خطر حدوث صعق كهربائي.



- ◀ عندما تعمل بأداة كهربائية في مكان مكشوف، فلا تستخدم سوى كابلات الإطالة المناسبة للعمل في النطاق الخارجي. استخدام كابل إطالة مناسب للعمل في النطاق الخارجي يقلل من خطر حدوث صعق كهربائي.
- ◀ إذا تعذر تجنب تشغيل الأداة الكهربائية في محيط رطب، فاستخدم مفتاح حماية من تسرب التيار. استخدام مفتاح الحماية من تسرب التيار يقلل خطر حدوث صدمة كهربائية.

سلامة الأشخاص

- ◀ كن يقظاً وانتبه لما تفعل وتعامل مع الأداة الكهربائية بتعقل عند العمل بها. لا تستخدم الأداة الكهربائية عندما تكون متعباً أو تحت تأثير المخدرات أو الكحوليات أو العقاقير. فقد يتسبب عدم الانتباه للحظة واحدة أثناء الاستخدام في حدوث إصابات بالغة.
- ◀ ارتد تجميعات وقاية شخصية وارتد دائماً نظارة واقية. ارتداء تجميعات وقاية شخصية، مثل قناع الوقاية من الغبار وأحذية الأمان المضادة للانزلاق وخوذة الوقاية أو واقى السمع، تبعاً لنوع واستخدام الأداة الكهربائية، يقلل من خطر الإصابات.
- ◀ تجنب التشغيل بشكل غير مقصود. تأكد أن الأداة الكهربائية مطفأة قبل توصيلها بالكهرباء و/أو بالبطارية وقبل رفعها أو حملها. إذا كان إصبعك على المفتاح عند حمل الأداة الكهربائية أو كان الجهاز في وضع التشغيل عند التوصيل بالكهرباء، فقد يؤدي ذلك لوقوع حوادث.
- ◀ أبعد أدوات الضبط أو مفاتيح ربط البراغي قبل تشغيل الأداة الكهربائية. الأداة أو المفتاح المتواجد في جزء دوار من الجهاز يمكن أن يؤدي لحدوث إصابات.
- ◀ تجنب اتخاذ وضع غير طبيعي للجسم. احرص على أن تكون واقفاً بأمان وحافظ على توازنك في جميع الأوقات. من خلال ذلك تستطيع السيطرة على الأداة الكهربائية بشكل أفضل في المواقف المفاجئة.
- ◀ ارتد ملابس مناسبة. لا ترتد ملابس فضفاضة أو حلي. احرص على أن يكون الشعر والملابس والقفازات بعيدة عن الأجزاء المتحركة. الملابس الفضفاضة أو الحلي أو الشعر الطويل يمكن أن تشبك في الأجزاء المتحركة.
- ◀ إذا أمكن تركيب تجميعات شفط وتجميع الغبار، فتأكد أنها موصلة ومستخدمة بشكل سليم. استخدام تجميعات شفط الغبار يمكن أن يقلل الأخطار الناتجة عن الغبار.
- ◀ لا تعتقد بأنك في مأمن عن الخطر ولا تتجاهل تشريعات السلامة المعنية للأدوات الكهربائية، حتى وإن كنت على دراية بالأداة الكهربائية بعد تكرار استخدامها. التعامل مع الجهاز بدون حذر قد يؤدي إلى وقوع إصابات بالغة في جزء من الثانية.

استخدام الأداة الكهربائية والتعامل معها

- ◀ لا تفرط في التحميل على الجهاز. استخدم الأداة الكهربائية المناسبة للعمل الذي تقوم به. استخدام الأداة الكهربائية المناسبة يتبع لك العمل بشكل أفضل وأكثر أماناً في نطاق العمل المقرر.
- ◀ لا تستخدم أداة كهربائية ذات مفتاح تالف. الأداة الكهربائية التي لم يعد يمكن تشغيلها أو إطفائها تمثل خطورة ويجب إصلاحها.
- ◀ اسحب القابس من المقبس و/أو اخلع البطارية القابلة للخلع من الجهاز قبل إجراء عمليات الضبط، أو استبدال أجزاء الملحقات أو عند ترك الجهاز. هذا الإجراء الوقائي يمنع بدء تشغيل الأداة الكهربائية دون قصد.
- ◀ احتفظ بالأدوات الكهربائية غير المستخدمة بعيداً عن متناول الأطفال. لا تسمح باستخدام الجهاز من قبل أشخاص ليسوا على دراية به أو لم يقرءوا هذه التعليمات. الأدوات الكهربائية خطيرة في حالة استخدامها من قبل أشخاص ليست لديهم الخبرة الواجبة.
- ◀ اعتني جيداً بالأدوات الكهربائية والملحقات. افحص الأجزاء المتحركة من حيث أداؤها لوظيفتها بدون مشاكل وعدم انحصارها وافحصها من حيث وجود أجزاء مكسورة أو متعرضة للضرر يمكن أن تؤثر سلباً على وظيفة الأداة الكهربائية. اعمل على إصلاح الأجزاء التالفة قبل استخدام الجهاز. الكثير من الحوادث مصدرها الأدوات الكهربائية التي تم صيانتها بشكل رديء.
- ◀ حافظ على أدوات القطع حادة ونظيفة. تتميز أدوات القطع ذات حواف القطع المادة المعتنى بها بدقة بأنها أقل عرضة للتعثُر وأسبل في التعامل.
- ◀ استخدم الأداة الكهربائية والملحقات وأدوات العمل وخلافه طبقاً لهذه التعليمات. احرص في هذه الأثناء على مراعاة اشتراطات العمل والمهمة المراد تنفيذها. استخدام الأدوات الكهربائية في تطبيقات غير تلك المقررة لها يمكن أن يؤدي لمواقف خطيرة.
- ◀ حافظ على المقابض ومواقع المسك في حالة جافة ونظيفة وخالية من الزيت والشحم. المقابض ومواقع المسك الانزلاقية تحول دون استعمال الأداة الكهربائية والتحكم بها بشكل آمن في المواقف غير المتوقعة.



- أعمل على إصلاح أدواتك الكهربائية على أيدي فنيين معتمدين فقط واقتصر على استخدام قطع الغيار الأصلية، وبذلك تتأكد أن سلامة الأداة الكهربائية تظل قائمة.

2.2 إرشادات السلامة الخاصة بالمطارق

إرشادات السلامة لجميع الأعمال

- أستخدم واقيا للسمع. لذا يرجى مراعاة أن الضجيج الصاحب يمكن أن يُفقدك القدرة على السمع.
- أستخدم المقابض الإضافية الموردة مع الجهاز. فقدان السيطرة يمكن أن يؤدي لوقوع إصابات.
- أمسك الجهاز من مواضع المسك المعزولة عند إجراء أعمال يحتمل فيها أن تتلامس أداة الشغل مع أسلاك كهربائية مخفية أو مع سلك الكهرباء للجهاز ذاته. حيث أن ملامسة سلك يسري فيه التيار الكهربائي يمكن أن ينقل الجهد الكهربائي للأجزاء المعدنية بالجهاز ويؤدي لحدوث صدمة كهربائية.

إرشادات السلامة في حالة استخدام ريشة ثقب طويلة

- أبدأ عملية الثقب دائماً بعدد لفات منخفض وعندما تكون ريشة الثقب ملامسة لقطعة الشغل. عند العمل بعدد لفات أعلى يمكن أن تنتهي ريشة الثقب بسهولة، إذا دارت دون تلامس مع قطعة الشغل، وتؤدي إلى وقوع إصابات.
- أضغط على ريشة الثقب بدون إفراط وفي اتجاه طولي فقط. فقد تتعرض ريشة الثقب للانثناء والانكسار من جراء ذلك، أو من الممكن أن تفقد السيطرة عليها وتتسبب في وقوع إصابات.

3.2 إرشادات إضافية للسلامة

سلامة الأشخاص

- أقتصر على استخدام المنتج وهو في حالة سليمة من الناحية الفنية.
- لا تقم أبداً بأية تدخلات أو تغييرات على الجهاز.
- أثناء أعمال الثقب قم بتأمين النطاق الواقع على الجهة المقابلة للعمل. الشظايا المتناثرة يمكن أن تتطاير و/أو تسقط وتصيب الآخرين.
- أمسك الجهاز دائماً بيدك من المقابض المعنية. حافظ على جفاف ونظافة المقابض.
- أمسك المقبض الجانبي دائماً من الخارج. عند الثقب والربط يمكن أن ينحرف الجهاز جانبا.
- تجنب ملامسة الأجزاء الدوارة - خطر الإصابة!
- أحرص أثناء استخدام الجهاز على ارتداء نظارة واقية ملائمة وخوذة حماية وواق للسمع وكمامة خفيفة للتنفس.
- أرتد قفازا واقيا أثناء تغيير الأدوات. ملامسة أداة الشغل قد تؤدي لوقوع إصابات بجروح قطعية وإصابة بحروق.
- أستخدم واقيا للعينين. الشظايا المتطايرة يمكن أن تصيب الجسم والعينين.
- أحرص قبل بدء العمل على معرفة فئة خطر الغبار الناشئ عند إجراء العمل. أستخدم شفاط غبار أعمال الإنشاءات ذي فئة حماية مصرح بها رسمياً ومطابق للتعليمات المحلية الخاصة بالحماية من الغبار.
- أستخدم شفاط الغبار ومزيل الغبار المحمول المناسب إن أمكن. الغبار الناتج عن خامات مثل الطلاء المحتوي على الرصاص وبعض أنواع الأخشاب والخرسانة/الجران والصخور الممتوية على الكوارتز والمعادن الصخرية والمعادن هو غبار ضار بالصحة.
- أحرص على وجود تهوية جيدة لمكان العمل وارتد عند اللزوم قناع تنفس مخصص لنوعية الغبار المنبعث. ملامسته أو استنشاقه قد يسبب أعراض حساسية و/أو أمراض الجهاز التنفسي للمستخدم أو للأشخاص المتواجدين على مقربة منه. هناك أنواع معينة مسرطنة من الغبار مثل غبار خشب البلوط أو غبار خشب الزان، ولا سيما إذا ارتبطت هذه الأنواع بمواد إضافية لمعالجة الأخشاب (مثل الكروم ومواد حماية الأخشاب). لا يجوز التعامل مع المواد المحتوية على الأسبستوس إلا من قبل فنيين متخصصين.
- أخذ قسطاً من الراحة أثناء العمل وقم بتمارين استرخاء لسريان الدم في الأصابع بشكل أفضل. عند القيام بأعمال لفترات طويلة فقد يحدث اضطرابات في الأوعية الدموية أو الجهاز العصبي بسبب كثرة الاهتزازات على الأصابع، الأيدي أو معصم اليد.

السلامة الكهربائية

- قبل بدء الأعمال أحرص نطاق العمل من حيث وجود توصيلات كهرباء مغطاة أو مواسير للغاز والماء. الأجزاء المعدنية الخارجية بالجهاز يمكن أن تتسبب في صدمة كهربائية، إذا قمت دون قصد بإتلاف إحدى توصيلات التيار.

الاستخدام والتعامل بعناية مع الأدوات الكهربائية

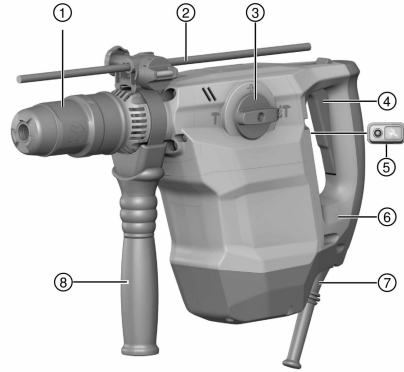
- قم بإيقاف الأداة الكهربائية على الفور، بمجرد تعرض الأداة للإعاقة. يمكن أن ينحرف الجهاز جانبا.



3 الشرح

1.3 نظرة عامة على المنتج

- ① ظرف تركيب الأدوات
- ② محدد عمق الثقب
- ③ مفتاح اختيار الوظيفة
- ④ مفتاح التحكم
- ⑤ مبيّن الخدمة
- ⑥ كابيل الكهربائي
- ⑦ المقبض الجانبي



2.3 النوع المزود بكابل قابل للإدخال

- ① زر التثبيت
- ② وصلة بالجهاز الكهربائي
- ③ كابيل الكهربائي مع وصلة مقبسية مشفرة وقابلة للخلع

3.3 الاستخدام المطابق للتعليمات

المنتج المشروح عبارة عن مطرقة متعددة الأغراض مشغلة بالكهرباء ومزودة بطارق بنيوماتيكي. وهو مخصص لأعمال الثقب في الخرسانة والجدران، الأخشاب والمعادن. علاوة على ذلك يمكن استخدام المنتج في الأعمال الخفيفة والمتوسطة التي يتم فيها استخدام الإزميل للنقر في الجدران والأعمال اللاحقة التي تتم على الخرسانة. يجب ألا يتم التشغيل إلا بالتردد والجهد الكهربائي المذكورين على لوحة الصنع.

4.3 الاستخدام الخاطئ المحتمل

- هذا المنتج غير مخصص للعمل مع الفامات الضارة بالصحة.
- هذا المنتج غير مناسب للعمل في البيئات الرطبة.

5.3 Active Vibration Reduction

المنتج مجهو بنظام Active Vibration Reduction (AVR) والذي يقوم بخفض الاهتزازات بشكل ملحوظ.

6.3 ظرف الربط السريع (ملحق)

يتيح الطرف سريع الربط التغيير السريع للأدوات دون الحاجة لأدوات إضافية. وهو مناسب للأدوات المزودة بساق أسطوانية أو مقطع سداسي والتي يتم تشغيلها في الوضع "دون طرق" 1/2.

7.3 مبيّن الخدمة

المنتج مزود بمبيّن خدمة به إشارة ضوئية.

الحالة	الاستعمال
مبيّن الخدمة يُضيء	هذا يعني أنه حان موعد إجراء الخدمة.
مبيّن الخدمة يومض	أضرار بالمنتج. اعمل على إصلاح المطرقة متعددة الأغراض لدى مركز خدمة Hilti.



المطرقة متعددة الأغراض، المقبض الجانبي، دليل الاستعمال.

تجد المزيد من منتجات النظام المسموع بها للمنتج الخاص بك لدى متجر **Hilti Store** أو على موقع الإنترنت: www.hilti.group

4 المواصفات الفنية
1.4 المطرقة متعددة الأغراض

i يرجى التعرف على الجهد الاسمي والتيار الاسمي والتردد و/أو الاستهلاك الاسمي من لوحة صنع الجهاز الخاصة بالبلد المعني.

في حالة التشغيل من مولد أو محمول، فإنه يجب ألا تقل قدرة الخرج الخاصة به عن ضعف قدرة الدخل الاسمية الواردة على لوحة صنع الجهاز. جهد تشغيل المحمول أو المولد يجب أن يكون دائماً في نطاق +5% و -15% من الجهد الكهربائي الاسمي للجهاز.

TE 50-AVR	
03	جيل المنتج
6.1 كجم	الوزن طبقاً لبروتوكول EPTA 01
20-° م ... 70° م	درجة حرارة التخزين
17-° م ... 60° م	درجة الحرارة المحيطة أثناء التشغيل
12 مم ... 32 مم	Ø ريشة ثقب دقاقة
6 مم ... 35 مم	Ø ريشة ثقب الأخشاب
6 مم ... 13 مم	Ø ريشة ثقب المعادن

2.4 معلومات الضوضاء وقيم الاهتزاز

تم قياس ضغط الصوت وقيم الاهتزاز الواردة في هذا الدليل طبقاً لأحد معايير القياس المحددة ويمكن الاستعانة بها في إجراء مقارنة بين الأدوات الكهربائية مع بعضها البعض. وهي مناسبة أيضاً لتقدير حجم المخاطر بصورة أولية.

المواصفات الواردة تتعلق بالاستخدامات الأساسية للأداة الكهربائية. أما إذا تم استخدام الأداة الكهربائية في تطبيقات أخرى مع أدوات شغل مخالفة للمواصفات أو دون صيانة كافية، ففي هذه الحالة قد تختلف المواصفات. وقد يزيد هذا من نسبة المخاطر طوال مدة العمل بصورة واضحة.

وللحصول على تقدير دقيق لحجم المخاطر ينبغي أيضاً مراعاة الأوقات التي يتم فيها إيقاف الجهاز أو التي يتم فيها تشغيل الجهاز ولكن دون استخدام حقيقي. وقد يقلل هذا من نسبة المخاطر طوال مدة العمل بصورة واضحة. احرص على اتخاذ إجراءات إضافية للسلامة من شأنها حماية المستخدم من تأثير الضجيج و/أو الاهتزازات مثل: صيانة الأداة الكهربائية وأدوات الشغل والحفاظ على الأيدي في حالة دافئة وتنظيم مراحل العمل.

i يمكن العثور على معلومات تفصيلية حول الإصدارات المستخدمة هنا وفقاً للمواصفات في الصورة **EN 62841**- الخاصة ببيان المطابقة **57**.

قيم الضجيج المنبعث

TE 50-AVR	
108 ديسيبل (A)	مستوى شدة الصوت (L_{WA})
3 ديسيبل (A)	نسبة التفاوت لمستوى شدة الصوت (K_{WA})
100 ديسيبل (A)	مستوى ضغط الصوت (L_{pA})
3 ديسيبل (A)	نسبة التفاوت لمستوى ضغط الصوت (K_{pA})

قيم الاهتزاز الإجمالية

TE 50-AVR	
> 5 م/ثانية ²	الثقب في المعادن ($a_{h,D}$)
8.8 م/ثانية ²	الثقب المطرقي في الخرسانة ($a_{h,HD}$)



TE 50-AVR	
7.1 م/ثانية ²	النقر بالإزميل (a _n , C _{req})
1.5 م/ثانية ²	نسبة التفاوت بالنسبة لقيم الاهتزاز المذكورة (K)

5 الاستعمال

1.5 التحضير للعمل

⚠️ احترس:

خطر الإصابة! تشغيل الجهاز بشكل غير مقصود.

← اسحب القابس الكهربائي، قبل إجراء عمليات ضبط الجهاز أو تغيير أجزاء الملحقات.

تراجع إرشادات الأمان والإرشادات التحذيرية الواردة في هذا المستند وعلى الجهاز.

1.1.5 تركيب المقبض الجانبي 3

1. أدر المقبض لفك وسيلة تثبيت (شريط الشد) المقبض الجانبي.
2. أدخل وسيلة التثبيت (شريط الشد) من الأمام عبر طرف تركيب الأدوات وصولاً إلى الحز المخصص لذلك.
3. اضبط المقبض الجانبي في الوضع المرغوب.
4. أدر المقبض لشد وسيلة تثبيت (شريط الشد) المقبض الجانبي.

2.1.5 تركيب محدد العمق (اختياري) 4

1. أدر المقبض لفك وسيلة تثبيت (شريط الشد) المقبض الجانبي.
 2. أدخل محدد العمق من الأمام في الثقيبين الدليليين المخصصين لذلك.
 3. أدر المقبض لشد وسيلة تثبيت (شريط الشد) المقبض الجانبي.
- ← محدد العمق مركب. لضبط عمق الثقب:
4. افتح البرغي بمحدد عمق الثقب.
 5. اضبط محدد عمق الثقب على عمق الثقب المرغوب.
 6. أغلق البرغي بمحدد عمق الثقب.

3.1.5 تركيب/فك أداة الشغل 5

⚠️ احترس:

خطر الإصابة بسبب أداة الشغل! تكون أداة الشغل ساخنة وحادة الحواف.

← ارتد قفازات واقية عند تغيير أداة الشغل.

1. قم بتزليق طرف إدخال أداة الشغل قليلاً.
 2. أدخل أداة الشغل في طرف تركيب الأدوات حتى النهاية وأتركها تثبت في موضعها.
- ← المنتج جاهز للتشغيل.
3. قم بإرجاع وسيلة تأمين الأداة حتى النهاية وأخرج أداة الشغل.

اقتصر على استخدام الشمع الأصلي من Hilti. قد يؤدي استخدام شمع غير مناسب إلى تعرض المنتج للضرر.

2.5 العمل

⚠️ احترس:

خطر حدوث أضرار من خلال الاستعمال الخاطئ!

← لا تقم بالضغط على مفاتيح اتجاه الدوران و/أو اختيار الوظيفة أثناء التشغيل.

تراجع إرشادات الأمان والإرشادات التحذيرية الواردة في هذا المستند وعلى الجهاز.

1.2.5 الثقب بالطرق (الثقب المطرقي) 5

1. اضبط مفتاح اختيار الوظيفة على وضع "الثقب المطرقي" T.



2. ضع المثقاب على الأرض.
3. اضغط على مفتاح التحكم.
- ◀ يبدأ المنتج في العمل.

3.5 تحديد موضع الإزميل 7

⚠️ احترس:

خطر الإصابة! فقدان السيطرة على اتجاه الإزميل.
 ▶ لا تعمل في وضع «تحديد موضع الإزميل». اضبط مفتاح اختيار الوظيفة على وضع "النقر بالإزميل"، إلى أن يستقر في موضعه.

i يمكن ضبط الإزميل على 24 وضع مختلف (في خطوات مقدار كل منها 15°). وبذلك يمكن دائما العمل بالإزميل المفلطح وإزميل التشكيل في وضع العمل المثالي المناسب.

1. اضبط مفتاح اختيار الوظيفة على وضع "تحديد موضع الإزميل" 7.
2. أدر الإزميل إلى الوضع المرغوب.
3. اضبط مفتاح اختيار الوظيفة على وضع "النقر بالإزميل" T، إلى أن يستقر في موضعه.
- ◀ المنتج جاهز للتشغيل.

1.3.5 النقر بالإزميل 8

- ◀ اضبط مفتاح اختيار الوظيفة على وضع "النقر بالإزميل" T.

2.3.5 تشغيل / إيقاف وضع التشغيل المستمر 9

i يمكن في وضع تشغيل الإزميل تثبيت مفتاح التشغيل/الإيقاف في وضع التشغيل.

1. قم بتحريك زر ثبات التشغيل المستمر إلى الأمام.
2. اضغط على مفتاح التشغيل/الإيقاف حتى النهاية تماما.
- ◀ يعمل المنتج الآن في وضع التشغيل المستمر.
3. قم بتحريك زر ثبات التشغيل المستمر إلى الخلف.
- ◀ يتوقف المنتج.

6 كابل مزود بقابس

1.6 توصيل كابل الكهرباء القابل للإدخال

⚠️ احترس:

خطر الإصابة! من جراء التيار الكهربائي المتسرب في حالة وجود أطراف توصيل متسخة.
 ▶ لا تقم بتوصيل الوصلة المقبسية الكهربائية القابلة للفك بالجهاز الكهربائي إلا وهي في حالة نظيفة وجافة ولا يسري بها جهد كهربائي.

1. أدخل الوصلة المقبسية الكهربائية المكودة القابلة للفك في الجهاز حتى النهاية، إلى أن يثبت القفل بصوت مسموع.
2. أدخل القابس الكهربائي في المقبس.

2.6 افصل قابس الكهرباء القابل للإدخال عن الجهاز الكهربائي

1. اسحب القابس الكهربائي من المقبس.
2. اضغط على زر التثبيت وأدخل الوصلة المقبسية الكهربائية المكودة القابلة للفك.
3. اسحب الكابل الكهربائي من الجهاز.



تحذير

خطر بسبب حدوث صدمة كهربائية إجراء أعمال العناية والصيانة بينما القابس الكهربائي مركب قد يتسبب في إصابات بالغة والإصابة بحروق.

احرص على سحب القابس الكهربائي قبل جميع أعمال الإصلاح والعناية!

العناية

- قم بإزالة الاتساخ الملتصق برصص.
- قم بتنظيف فتحات التهوية برصص باستخدام فرشاة جافة.
- نظف جسم الجهاز باستخدام قطعة قماش مبللة بـ"الشيء". لا تستخدم مواد عناية تحتوي على السيليكون لما قد تتسبب فيه من الإضرار بالأجزاء البلاستيكية.

الصيانة
تحذير

خطر الصعق الكهربائي! قد تؤدي أعمال الصيانة التي تتم على الأجزاء الكهربائية بشكل غير سليم إلى حدوث إصابات خطيرة وإصابة بحروق.

لا يجوز إجراء إصلاحات على الأجزاء الكهربائية إلا من خلال متخصصين في الكهرباء.

- افحص جميع الأجزاء المرئية من حيث وجود أضرار وافحص عناصر الاستعمال من حيث كفاءتها الوظيفية.
- في حالة وجود أضرار و/أو اختلالات وظيفية لا تقم بتشغيل المنتج. احرص على الفور على إصلاحه لدى مركز خدمة Hilti.
- بعد أعمال العناية والإصلاح قم بتركيب جميع تجهيزات الحماية وافحصها من حيث الأداء الوظيفي.

للتشغيل الآمن اقتصر على استخدام قطع الغيار الأصلية وخامات الشغل. تجد قطع الغيار وخامات الشغل والملحقات المصرح بها من قبلنا للمنتج الخاص بك في متجر **Hilti Store** أو على موقع الإنترنت: www.hilti.group.

8 النقل والتخزين

- لا تنقل الجهاز الكهربائي بينما الأداة مدخلة فيه.
- عند تخزين الجهاز الكهربائي احرص دائما على سحب القابس الكهربائي.
- احرص على جفاف الجهاز والاحتفاظ به بعيدا عن متناول الأطفال والأشخاص غير المصرح لهم عند تخزينه.
- بعد النقل لمسافة طويلة أو التخزين افحص الجهاز الكهربائي من حيث وجود أضرار.

9 المساعدة في حالات الاختلالات

عند حدوث اختلالات غير مذكورة في الجدول أو يتعذر عليك معالجتها بنفسك، فيرجى التوجه إلى مركز خدمة Hilti.


1.9 المساعدة في حالات الاختلالات


الخلل	السبب المحتمل	الحل
الجهاز لا يبدأ في العمل.	انقطاع الإمداد بالتيار الكهربائي	◀ قم بتوصيل جهاز كهربائي آخر وافحص التشغيل.
	تم تفعيل مانع بدء التشغيل الإلكتروني بعد فترة انقطاع التيار الكهربائي.	◀ قم بإيقاف الجهاز ثم أعد تشغيله.
لا يتولد طرق.	الجهاز بارد للغاية.	◀ ضع المثقاب المطرقي على الأرض واتركه يدور على الفارغ. عند اللزوم كرر هذه العملية حتى يعمل الطارق.
المطرقة متعددة الأغراض لا تعمل بكامل قدرتها.	المقطع العرضي لكابل الإطالة صغير للغاية.	◀ استخدم كابل إطالة بمقطع عرضي كاف.



الخلل	السبب المحتمل	الحل
المطرقة متعددة الأغراض لا تعمل بكامل قدرتها.	الجهد الكهربائي بمصدر الإمداد بالجهد الكهربائي منخفض للغاية.	قم بتوصيل المطرقة متعددة الأغراض بمصدر آخر للإمداد بالجهد الكهربائي.
ريشة الثقب لا تدور.	مفتاح اختيار الوظيفة غير ثابت أو في وضع "النقر بالإزميل" T أو "تمديد موضع الإزميل" -.	اضبط مفتاح اختيار الوظيفة على وضع "الثقب المطرقي" T.
ريشة الثقب لا تتحرر من وضع إحكام القفل.	لم تقم بإرجاع طرف تركيب الأدوات حتى النهاية.	قم بإرجاع وسيلة إحكام قفل الأداة حتى النهاية وأخرج الأداة.
	المقبض الجانبي مركب بشكل غير صحيح.	قم بفك المقبض الجانبي وتركيبه بشكل صحيح بحيث يكون شريط الشد والمقبض الجانبي مثبتين في التجويف.
يضيء مبین الخدمة بعد تغيير الفحمت الكربونية.	لم يتم بعد تجليخ أطراف التوصيل.	اترك الفحمت الكربونية تدور في الوضع المحايد لمدة دقيقة واحدة على الأقل دون توقف.

10 التكبين

 أجهزة Hilti مصنوعة بنسبة كبيرة من مواد قابلة لإعادة التدوير. يشترط لإعادة التدوير أن يتم فصل الخامات بشكل سليم فنيا. في العديد من الدول تقوم شركة Hilti باستغلال الأجهزة القديمة لإعادة تدويرها. وللمعلومات حول ذلك اتصل بخدمة عملاء Hilti أو الموزع القريب منك.

 لا تعلق الأدوات الكهربائية، الأجهزة الإلكترونية والبطاريات ضمن القمامة المنزلية!

11 مواصفة RoHS (مواصفة تقييد استخدام المواد الخطيرة)

تجد جدولا بالمواد الخطرة تحت الرابط التالي: qr.hilti.com/r4902202.
تجد رابط خاص بجدول المواد التي تخص المواصفة RoHS في نهاية هذا المستند على هيئة كود QR.

12 ضمان الجبة الصانعة

◀ في حالة وجود أية استفسارات بخصوص شروط الضمان، يرجى التوجه إلى وكيل Hilti المحلي التابع لك.



オリジナル取扱説明書

1 取扱説明書について

1.1 本取扱説明書について

- **警告事項！** 本製品をご使用になる前に、同梱の取扱説明書と指示事項、安全上の注意、警告表示、図および製品仕様を読んで、その内容を理解を理解してください。特に、すべての指示事項、安全上の注意、警告表示、図、製品仕様、構成部品と機能に精通しているようにしてください。これを怠ると、感電、火災、および/または重傷事故の危険があります。後日確認できるように、取扱説明書とすべての指示事項、安全上の注意、警告表示を保管しておいてください。
- **HILTI** 製品はプロ仕様で製作されており、その使用、保守、修理を行うのは、認定を受けトレーニングされた人のみに限ります。これらの人は、遭遇し得る危険に関する情報を入手していなければなりません。製品およびアクセサリーの使用法を知らない者による誤使用、あるいは規定外の使用は危険です。
- 製品に同梱されている取扱説明書は、印刷の時点で最新の技術状況を反映しています。オンラインのHilti製品ページで常に最新バージョンをご確認ください。これについては、本取扱説明書のリンク、またはQRコード(📄の記号)に従ってください。
- 他の人が使用する場合には、本製品とともにこの取扱説明書を一緒にお渡しください。

1.2 記号の説明

1.2.1 警告表示

警告表示は製品の取扱いにおける危険について警告するものです。以下の注意喚起語が使用されています：



危険

危険！

- ▶ この表記は、重傷あるいは死亡事故につながる危険性がある場合に注意を促すために使われます。



警告

警告！

- ▶ この表記は、重傷あるいは死亡事故につながる可能性がある場合に注意を促すために使われます。



注意

注意！

- ▶ この表記は、身体の負傷あるいは物財の損傷が発生する可能性がある場合に使われます。

1.2.2 取扱説明書の記号

この取扱説明書では、以下の記号が使用されています：

	取扱説明書に注意してください
	本製品を効率良く取り扱うための注意事項や役に立つ情報
	リサイクル可能な部品の取扱い
	電動工具およびバッテリーを一般ゴミとして廃棄してはなりません

1.2.3 図中の記号

図中では以下の記号が使用されています：

	この数字は本取扱説明書冒頭にある該当図を示しています。
	図中の付番は、重要な作業手順あるいは作業手順にとって重要なパーツであることを示しています。本文中ではこれらの作業手順またはパーツは、(3)のように当該の番号でハイライト表示されています。
	概要図には項目番号が付されていて、製品概要セクションの凡例の番号に対応しています。





この記号は、製品の取扱いの際に特に注意が必要なことを示しています。

1.3 製品により異なる記号

1.3.1 製品に表示されている記号

製品には以下の記号が使用されています：

	回転 + 打撃 (打撃穿孔)
	ハツリ作業
	チゼル角度調整
	電気絶縁保護クラス II (二重絶縁)
/min	毎分回転数
n_0	無負荷回転数
\varnothing	直径
	無線データ転送

2 安全

2.1 電動工具の一般安全注意事項

⚠ 警告事項 本電動工具に付属のすべての安全上の注意、指示事項、図、および製品仕様をお読みください。以下の指示を守らないと、感電、火災および / または重傷事故の危険があります。

安全上の注意および指示事項が書かれた説明書はすべて大切に保管してください。

安全上の注意で使用する用語「電動工具」とは、お手持ちの電動ツール(電源コード使用) またはバッテリーツール(コードレス) を指します。

作業環境に関する安全

- ▶ 作業場はきれいに保ち、十分に明るくしてください。ちらかった暗い場所での作業は事故の原因となります。
- ▶ 爆発の危険性のある環境(可燃性液体、ガスおよび粉じんのある場所) では電動工具を使用しないでください。電動工具から火花が飛散し、粉じんや揮発性ガスに引火する恐れがあります。
- ▶ 電動工具の使用時、子供や無関係者を作業場へ近づけないでください。作業中に気がそらされると、本体のコントロールを失ってしまう恐れがあります。

電気に関する安全注意事項

- ▶ 電動工具の接続プラグは電源コンセントにきちんと適合しなければなりません。プラグは絶対に変更不要にしてください。保護接地した電動工具と一緒にアダプタープラグを使用しないでください。オリジナルのプラグと適切なコンセントを使用することにより、感電の危険を小さくすることができます。
- ▶ パイプ、ラジエーター、電子レンジ、冷蔵庫などのアースされた面に体の一部が触れないようにしてください。体が触れると感電の危険が大きくなります。
- ▶ 電動工具を雨や湿気から保護してください。電動工具に水が浸入すると、感電の危険が大きくなります。
- ▶ 電動工具を持ち運んだり、吊り下げたり、コンセントからプラグを抜いたりするときは、必ず本体を持ち、電源コードを持って引っ張ったりしないでください。電源コードを火気、オイル、鋭利な刃物、可動部等に触れる場所に置かないでください。電源コードが損傷したり絡まったりしていると、感電の危険が大きくなります。
- ▶ 屋外工事の場合には、必ず屋外専用の延長コードを使用してください。屋外専用の延長コードを使用すると、感電の危険が小さくなります。
- ▶ 湿った場所で電動工具を動作させる必要がある場合は、漏電遮断器を使用してください。漏電遮断器を使用すると、感電の危険が小さくなります。

作業者に関する安全

- ▶ 電動工具を使用の際には、油断せずに十分注意し、常識をもった作業をおこなってください。疲れている場合、薬物、医薬品服用およびアルコール飲用による影響下にある場合には電動工具を使用しないでください。電動工具使用中の一瞬の不注意が重傷の原因となることがあります。



- ▶ 個人用保護具および保護メガネを常に着用してください。負傷の危険を低減するために、電動工具の使用状況に応じた粉じんマスク、耐滑性の安全靴、ヘルメット、耳栓などの個人用保護具を着用してください。
- ▶ 電動工具の意図しない始動を防止して下さい。電動工具を電源および / またはバッテリーに接続する前や本体を持ち上げたり運んだりする前に、本体がオフになっていることを必ず確認してください。オン / オフスイッチが入っている状態で電動工具のスイッチに指を掛けたまま運んだり、電源に接続したりすると、事故の原因となる恐れがあります。
- ▶ 電動工具のスイッチを入れる前に、必ず調節キーやレンチを取り外してください。調節キーやレンチが本体の回転部に装着されたままでは、けがの原因となる恐れがあります。
- ▶ 作業中は不安定な姿勢をとらないでください。足元を安定させ、常にバランスを保つようにしてください。これにより、万一電動工具が異常状況に陥った場合にも、適切な対応が可能となります。
- ▶ 作業に適した作業着を着用してください。だぶだぶの衣服や装身具を着用しないでください。髪、衣服、手袋を本体の可動部に近づけないでください。だぶだぶの衣服、装身具、長い髪が可動部に巻き込まれる恐れがあります。
- ▶ 吸じんシステムの接続が可能な場合には、これらのシステムが適切に接続、使用されていることを確認してください。吸じんシステムを利用することにより、粉じん公害を防げます。
- ▶ 電動工具の取扱いに熟練している場合にも、正しい安全対策を遵守し、電動工具に関する安全規則を無視しないでください。不注意な取扱いは、ほんの一瞬で重傷事故を招くことがあります。

電動工具の使用および取扱い

- ▶ 無理のある使用を避けてください。作業用途に適した電動工具を使用してください。適切な電動工具の使用により、効率よく、スムーズかつ安全な作業が行えます。
- ▶ スwitchが故障している場合には、電動工具を使用しないでください。スイッチで始動および停止操作のできない電動工具は危険ですので、修理が必要です。
- ▶ 本体の設定やアクセサリーの交換を行う前や本体を保管する前には電源プラグをコンセントから抜き、および / または脱着式のバッテリーを取り外してください。この安全処置により、電動工具の意図しない始動を防止することができます。
- ▶ 電動工具をご使用にならない場合には、子供の手の届かない場所に保管してください。電動工具に関する知識のない方、本説明書をお読みでない方による本体のご使用は避けてください。未経験者による電動工具の使用は危険です。
- ▶ 電動工具とアクセサリーは慎重に手入れしてください。可動部分が引っ掛かりなく正常に作動しているか、電動工具の運転に影響を及ぼす各部分が破損・損傷していないかを確認してください。電動工具をご使用になる前に、損傷部分の修理を依頼してください。事故の多くは保守管理の不十分な電動工具の使用が原因となっています。
- ▶ 先端工具は鋭利で汚れない状態を保ってください。お手入れのゆきとどいた先端工具を使用すると、作業が簡単かつ、スムーズになります。
- ▶ 電動工具、アクセサリー、先端工具などは、それらの説明書に記載されている指示に従って使用してください。その際は、作業環境および用途についてもご注意ください。指定された用途以外に電動工具を使用すると危険な状況をまねく恐れがあります。
- ▶ グリップとグリップ面は乾燥した清潔な状態に保ち、オイルやグリスの付着がないようにしてください。グリップやグリップ面が滑りやすい状態になっていると、予期していない状況が発生した際に電動工具を安全に使用 / 制御できません。

サービス

- ▶ 電動工具の修理は必ず認定サービスセンターにお申し付けください。また、必ず純正部品を使用してください。これにより電動工具の安全性が確実に維持されます。

2.2 ハンマーに関する安全上の注意

すべての作業に関する安全上の注意

- ▶ 耳栓を着用してください。騒音により、聴覚に悪影響が出る恐れがあります。
- ▶ 本体には一緒に納品された補助ハンドルを使用してください。これ以外のハンドルを使用すると、コントロールを失ってけがをする恐れがあります。
- ▶ 隠れた電線や装置自体の電源コードに先端工具が接触する可能性のある作業を行う場合は、必ず本体の絶縁されたグリップを持ってください。通電しているケーブルと接触すると、本体の金属部分にも電圧がかかり、感電の危険があります。

長いドリルビットを使用する際の安全上の注意

- ▶ 穿孔作業は、常にドリルビットが作業材料と接触している状態で低い回転数から始めるようにしてください。回転数が高くてドリルビットが作業材料と接触せず自由に回転できる状態にあると、ドリルビットは簡単に曲がってしまうことがあり、これが負傷の原因となることがあります。
- ▶ 過度な力を加えず、常にドリルビットの縦方向にのみ力が作用するようにしてください。ドリルビットは曲がって折れてしまうこと、あるいはコントロールを失って負傷の原因となることがあります。



2.3 その他の安全上の注意

作業者に関する安全

- ▶ 本製品は、必ず技術的に問題のない状態で使用してください。
- ▶ 本体は決して加工や改造を加えないでください。
- ▶ 剥がし作業の場合には、作業側と反対の領域を保護してください。剥がれた部分が脱落、落下して他の人を負傷させる危険があります。
- ▶ 本体は、常に両手でグリップを掴んでしっかりと保持してください。グリップは乾燥した清潔な状態を保ってください。
- ▶ サイドハンドルは常に外側を掴んでください。穿孔作業時およびねじ締めの際は、本体が横にそれることがあります。
- ▶ 回転部品に触れないでください - 負傷の危険！
- ▶ 装置の使用中は、適切な保護メガネ、保護ヘルメット、耳栓および防じんマスクを着用してください。
- ▶ 保護手袋は先端工具の交換時にも着用してください。先端工具に触れると、切創事故や火傷の原因となることがあります。
- ▶ アイシールドを着用してください。破片が身体の一部、眼などを傷つけることもあります。
- ▶ 作業開始前に、作業場で発生する粉じんの危険有害度を調査してください。公的に承認された保護等級および地域の粉じんに関する規定を満たした工業用集じん機を使用してください。
- ▶ できるだけ集じん装置や適切な可動集じん装置を使用してください。含鉛塗料、特定の種類の木材、コンクリート / 石材、石英を含む岩石、鉱物および金属などの母材から生じた粉じんは、健康を害する恐れがあります。
- ▶ 作業場の良好な換気に注意し、必要に応じてそれぞれの粉じんに適した防じんマスクを着用してください。作業者や近くにいる人が粉じんに触れたり吸い込んだりすると、アレルギー反応や呼吸器疾患を起こす可能性があります。カシヤブナ材などの特定の粉じんは、特に木材処理用の添加剤(クロム塩酸、木材保護剤)が使用されている場合、発ガン性があるとされています。アスベストが含まれる母材は、必ず専門家が取り扱うようにしてください。
- ▶ 休憩を取って、指を動かして血行を良くするように心がけてください。長時間作業の際には、振動により指、手あるいは手首の関節の血管あるいは神経系に障害が発生する可能性があります。

電気に関する安全注意事項

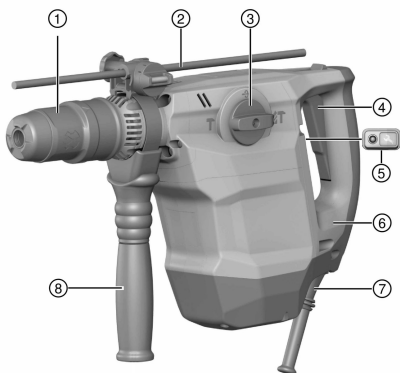
- ▶ 作業を開始する前に、作業領域に埋設された電線、ガス管や水道管がないかを調査してください。誤って電線を損傷すると、本体外側の金属部分により感電事故が発生する可能性があります。

電動工具の慎重な取扱いおよび使用

- ▶ 先端工具がブロックしたら直ちに電動工具をオフにします。本体は側方へとずらすことができます。
- ▶ 電動工具は停止するまで置かないでください。

3 製品の説明

3.1 製品概要 1



- ① チャック
- ② デプスゲージ
- ③ 機能切り替えスイッチ
- ④ 無段変速スイッチ
- ⑤ サービスインジケーター
- ⑥ 電源コード
- ⑦ サイドハンドル



3.2 接続可能な電源コード付き仕様 2

- ① ロックボタン
- ② 電動工具の接続部
- ③ コーディングされた脱着式プラグ付きの電源コード

3.3 正しい使用

本書で説明している製品は、ニューマチック構造の打撃機構を備えた電動式コンビハンマードリルです。本製品は、コンクリート、石材、木材および金属への穿孔作業用の工具です。さらに、本製品は石材への軽度あるいは中程度のハツリ作業、およびコンクリートへの再加工作業に使用できます。

▶ 必ず銘板に表示されている電圧、周波数で使用してください。

3.4 考えられる誤った使用

- 本製品は、健康を損なう危険のある母材を作業するには適していません。
- 本製品は、湿気の多い環境での作業には適していません。

3.5 Active Vibration Reduction

本製品は、振動を大幅に低減させるActive Vibration Reduction (AVR) システムを装備しています。

3.6 クイックリリースチャック (アクセサリ)

クイックリリースチャックにより、追加工具なしで迅速に先端工具の交換を行うことができます。クイックリリースチャックは、「打撃なし」で使用するシャンク形状が円または六角形の先端工具に適しています。

3.7 サービスインジケータ

本製品はサービスインジケータを装備しています。

状態	意味
サービスインジケータ点灯	作動時間がサービス期限に達しています。
サービスインジケータ点滅	製品の損傷。コンビハンマードリルの修理はHilti サービスセンターにご依頼ください。

3.8 本体標準セット構成

コンビハンマードリル、サイドハンドル、取扱説明書。

その他のご使用の製品用に許可されたシステム製品については、弊社営業担当またはHilti Store お問い合わせいただくか、あるいはwww.hilti.groupでご確認ください。

4 製品仕様

4.1 コンビハンマードリル

定格電圧、定格電流、周波数および / または定格電力については、国別の銘板でご確認ください。

発電機または変圧器を使用しての作業の場合は、それらは本体の銘板に記載されている定格電力より 2 倍以上大きな出力がなければなりません。変圧器または発電機の作動電圧は、常に本体の定格電圧の +5 %...-15 % の範囲になければなりません。

	TE 50-AVR
製品世代	03
重量 (EPTA プロシージャ 01 に準拠)	6.1 kg
保管温度	-20 °C ... 70 °C
作動時の周囲温度	-17 °C ... 60 °C
Ø ハンマードリルビット	12 mm ... 32 mm
Ø 木工用ドリルビット	6 mm ... 35 mm
Ø 鉄工用ドリルビット	6 mm ... 13 mm



4.2 騒音および振動値について

本説明書に記載されているサウンドプレッシャー値および振動値は、規格に準拠した測定方法に基づいて測定したものです。電動工具を比較するのにご使用いただけます。曝露値の暫定的な予測にも適しています。記載されているデータは、電動工具の主要な使用方法に対する値です。電動工具を他の用途で使用したり、異なる先端工具を取り付けて使用したり、手入れや保守が十分でないまま使用した場合には、データが異なることがあります。このような相違により、作業時間全体で曝露値が著しく高くなる可能性があります。

曝露値を正確に予測するためには、電動工具のスイッチをオフにしている時間や、電動工具が作動していても実際には使用していない時間も考慮しなければなりません。このような相違により、作業時間全体で曝露値が著しく低くなる可能性があります。

作業者を騒音および / または振動による作用から保護するために、他にも安全対策を立ててください(例：電動工具および先端工具の手入れや保守、手を冷やさないようにする、作業手順の編成)。



この点について適用される EN 62841 規格のバージョンについての詳細情報は、適合宣言書の画像 58 で確認してください。

騒音排出値

	TE 50-AVR
サウンドパワーレベル (L_{WA})	108 dB(A)
サウンドパワーレベルの不確実性 (K_{WA})	3 dB(A)
サウンドプレッシャーレベル (L_{pA})	100 dB(A)
サウンドプレッシャーレベルの不確実性 (K_{pA})	3 dB(A)

合計振動値

	TE 50-AVR
金属への穿孔 ($a_{h, D}$)	< 5 m/s ²
コンクリートへの打撃穿孔 ($a_{h, HD}$)	8.8 m/s ²
ハツリ作業 ($a_{h, Cheq}$)	7.1 m/s ²
振動値に対する不確実性 (K)	1.5 m/s ²

5 ご使用方法

5.1 作業準備

注意

負傷の危険！ 製品は意図せず作動することがあります。

▶ 本体の設定やアクセサリーの交換を行う前に電源プラグを抜いてください。

本書および製品に記載されている安全上の注意と警告表示に注意してください。

5.1.1 サイドハンドルを取り付ける

1. グリップを回してサイドハンドルのクランピングバンドを緩めます。
2. クランピングバンドを前方から取付け用溝のところまでスライドさせてチャックへと取り付けます。
3. サイドハンドルをご希望の位置にします。
4. グリップを回してサイドハンドルのクランピングバンドを張ります。

5.1.2 デプスゲージを取り付ける(オプション)

1. グリップを回してサイドハンドルのクランピングバンドを緩めます。
2. デプスゲージを前方から取付け用の 2 個のガイド穴に通します。
3. グリップを回してサイドハンドルのクランピングバンドを張ります。
 - ▶ デプスゲージが取り付けられました。穿孔深さの調整：
4. デプスゲージの固定ネジを緩めます。
5. デプスゲージをご希望の穿孔深さにセットします。
6. デプスゲージの固定ネジを締めます。



5.1.3 先端工具を装着 / 取り外す

注意

先端工具による負傷の危険！ 先端工具は熱くなっていたり、エッジが鋭くなっている場合があります。

▶ 先端工具を交換する際には保護手袋を着用してください。

1. 先端工具のコネクションエンドにグリスを軽く塗布します。
2. 先端工具をチャックのストップ位置まで差し込み、ロックさせます。
 - ▶ 製品は作動可能状態です。
3. チャックロックスリーブをストップ位置まで引き戻し、先端工具を取り外します。



必ずHiltiの純正グリスを使用してください。適切でないグリスを使用すると、製品の損傷の原因となることがあります。

5.2 作業

注意

損傷の危険 不正な取扱い！

▶ 作動中は、回転方向および / または機能選択用スイッチを操作しないでください。

本書および製品に記載されている安全上の注意と警告表示に注意してください。

5.2.1 回転 + 打撃(打撃穿孔)

1. 機能切り替えスイッチを「回転 + 打撃」 の位置にします。
2. ドリルビットをを母材に接触させます。
3. コントロールスイッチを押します。
 - ▶ 製品が作動します。

5.3 チゼル角度調整

注意

負傷の危険！ ハツリ方向のコントロールの喪失。

▶ 「チゼル角度調整」位置で作業をしないでください。機能切り替えスイッチを「ハツリ作業」の位置にし、その位置にロックさせます。



チゼルは 24 の異なる位置に (15° ステップで) 調整することができます。これによってコールドチゼルでもスケーリングチゼルでも、最適の角度で作業できます。

1. 機能切り替えスイッチを「チゼル角度調整」 の位置にします。
2. チゼルをご希望の位置に回します。
3. 機能切替スイッチを「ハツリ作業」 の位置にし、その位置にロックさせます。
 - ▶ 製品は作動可能状態です。

5.3.1 ハツリ作業

▶ 機能切り替えスイッチを「ハツリ作業」 の位置にします。

5.3.2 連続動作モードをオンにする / オフにする



ハツリモードで作業する場合、ON/OFF スイッチを作動状態でロックできます。

1. 連続動作モード用ロックボタンを前方へ押します。
2. ON/OFF スイッチを完全に押し込みます。
 - ▶ 製品が連続動作モードで作動します。
3. 連続動作モード用ロックボタンを後方へ押します。
 - ▶ 製品がスイッチオフになります。



6 接続可能なコード

6.1 接続可能な電源コードを接続する

注意

負傷の危険 電気接点が汚れていると漏れ電流が発生して負傷の危険があります。

▶ 脱着式電気プラグは、必ず汚れがなく、乾燥した通電のない状態で電動工具に接続してください。

1. コーディングされた脱着式電気プラグを本体のストップ位置まで、ロックの作動音が聞こえるまで差し込みます。
2. 電源プラグをコンセントに差し込みます。

6.2 接続可能な電源コードを電動工具から外す

1. 電源プラグをコンセントから抜きます。
2. ロックボタンを押し、コーディングされた脱着式電気プラグを引き抜きます。
3. 電源コードを本体から外します。

7 手入れと保守

警告

感電による危険！ 電源プラグをコンセントに接続した状態で手入れや保守を行うと、重傷事故および火傷の危険があります。

▶ 手入れや保守作業の前に、必ず電源プラグをコンセントから抜いてください。

手入れ

- 強固に付着した汚れは慎重に除去してください。
- 通気溝を乾いたブラシで入念に清掃してください。
- ハウジングは必ず軽く湿らせた布で清掃してください。シリコンを含んだ清掃用具はプラスチック部品をいためる可能性があるため使用しないでください。


保守

警告

感電による危険！ 電気部品の誤った修理は、重傷事故および火傷の原因となることがあります。

▶ 電気部品の修理を行うことができるのは、訓練された修理スペシャリストだけです。

- 目視確認可能なすべての部品について損傷の有無を、操作エレメントについては問題なく機能することを定期的に点検してください。
- 損傷および/または機能に問題のある場合は、本製品を使用しないでください。直ちにHilti サービスセンターに修理を依頼してください。
- 手入れおよび保守作業の後には、すべての安全機構を取り付けて機能を点検してください。

 安全な作動のために、必ず純正のスペアパーツと消耗品を使用してください。本製品向けに弊社が承認したスペアパーツ、消耗品およびアクセサリは、弊社営業担当またはHilti Storeにお問い合わせいただくか、あるいはwww.hilti.groupでご確認ください。

8 搬送および保管

- 電動工具は先端工具を装着した状態で搬送しないでください。
- 電動工具は常に電源プラグを外して保管してください。
- 本体は、乾燥している場所に、子供や権限のない人が手を触れることのないようにして保管してください。
- 電動工具を長距離にわたって搬送したり長期にわたって保管した後は、使用前に損傷がないかチェックしてください。

9 故障時のヒント

この表に記載されていない、あるいはご自身で解消することのできない故障が発生した場合には、弊社営業担当またはHilti サービスセンターにご連絡ください。



9.1 故障時のヒント

故障	考えられる原因	解決策
本体が始動しない。	主電源が供給されていない	▶ 他の電動工具を接続して機能を点検する。
	電源遮断後に電子式インターロックがアクティブになった。	▶ 本体をオフにして、再びオンにする。
打撃がない。	本体温度が低すぎる。	▶ ローターハンマドリルを母材に接触させて、アイドリング回転させる。打撃機構が始動するまでこれを繰り返す。
コンビハンマドリルがフルパワーにならない。	延長コードの導体断面積が不十分。	▶ 十分な導体断面積を持つ延長コードを使用する。
	供給電源の電圧が低すぎる。	▶ コンビハンマドリルを別の電源に接続する。
ドリルビットが回転しない。	機能切り替えスイッチがロックされていない、あるいは「ハツリ作業」 T または「チゼル角度調整」 → の位置にある。	▶ 機能切り替えスイッチを「回転 + 打撃」 ↻ の位置にする。
ドリルビットのロックが外れない。	チャックが完全に引き戻されていない。	▶ チャックロックスリーブをストップ位置まで引き戻し、先端工具を取り外す。
	サイドハンドルが正しく取り付けられていない。	▶ サイドハンドルを緩めて、クランプバンドとサイドハンドルが奥でロックされるように正しい位置に取り付ける。
カーボンブラシの交換の後、サーブスイングケータが点灯。	電気接点はまだ慣らし運転されていない。	▶ カーボンブラシをアイドリングで連続して1分間以上慣らし運転する。

10 廃棄

Hilti 製品の大部分の部品はリサイクル可能です。リサイクル前にそれぞれの部品は分別して回収されなければなりません。多くの国で Hilti は、古い電動工具をリサイクルのために回収しています。詳細については弊社営業担当または Hilti 代理店・販売店にお尋ねください。



▶ 電動工具、電子機器およびバッテリーを一般ゴミとして廃棄してはなりません！

11 RoHS (有害物質使用制限に関するガイドライン)

下記のリンクより、有害物質を記載した表を確認できます：qr.hilti.com/r4902202。
本書の最終ページに RoHS 表にリンクした QR コードがあります。

12 メーカー保証

▶ 保証条件に関するご質問は、最寄りの Hilti 代理店・販売店までお問い合わせください。

오리지널 사용 설명서

1 사용 설명서 관련 정보

1.1 본 사용 설명서에 관하여

- 경고! 제품을 사용하기 전에, 제품과 함께 제공되는 사용 설명서와 설명서에 제시된 지침, 안전상의 주의사항 및 경고사항, 그림 및 사양 등을 잘 읽고 이해해야 합니다. 특히 모든 지침, 안전상의 주의사항 및 경고사항, 그림, 사양과 구성 요소 및 기능을 숙지해야 합니다. 유의하지 않을 경우, 감전, 화재 발생 및/또는 중상



을 입을 위험이 있습니다. 추후 사용 시에도 활용할 수 있도록 관련 지침, 안전상의 주의사항 및 경고사항이 포함된 사용 설명서를 잘 보관하십시오.

- **HILTI** 제품은 전문가용으로 설계되어 있으며, 해당 교육을 이수한 공인된 작업자를 통해서만 조작, 유지보수 및 수리 작업을 진행할 수 있습니다. 이 기술자는 발생할 수 있는 위험에 대해 특별 교육을 받은 상태여야 합니다. 교육을 받지 않은 사람이 제품을 부적절하게 취급하거나 규정에 맞지 않게 사용할 경우에는 기기와 그 보조기구에 의해 부상을 당할 위험이 있습니다.
- 함께 제공되는 사용 설명서는 인쇄 시점의 최신 기술 버전을 반영하여 작성됩니다. 최신 버전은 항상 Hilti 제품 사이트의 온라인 버전을 참조하십시오. 온라인 버전을 참고하고자 할 경우, 본 사용 설명서에 제시된 링크 혹은 기호로 표시된 QR 코드를 클릭하십시오.
- 제품을 다른 사람에게 양도할 때는 본 사용 설명서도 반드시 함께 넘겨주십시오.

수입업체(상호)명: 힐티코리아㈜

A/S: 080-220-2000

1.2 기호 설명

1.2.1 경고사항

본 제품을 다루면서 발생할 수 있는 위험에 대한 경고사항. 다음과 같은 시그널 워드가 사용됩니다.

위험

위험!

- ▶ 이 기호는 직접적인 위험을 표시합니다. 만약 지키지 않으면 심각한 부상을 당하거나 사망할 수도 있습니다.

경고

경고!

- ▶ 이 기호는 잠재적인 위험을 표시합니다. 만약 지키지 않으면 심각한 부상을 당하거나 사망할 수도 있습니다.

주의

주의!

- ▶ 이 기호는 잠재적인 위험 상황을 표시합니다. 만약 지키지 않으면 부상 또는 물질 손실을 입을 수 있습니다.

1.2.2 사용 설명서에 사용된 기호

본 사용 설명서에서 사용되는 기호는 다음과 같습니다.

	사용 설명서에 유의하십시오
	적용 지침 및 기타 유용한 사용정보
	재사용이 가능한 자재 취급방법
	전기 기기 및 배터리를 일반 가정의 쓰레기처럼 폐기해서는 안 됨

1.2.3 그림에 사용된 기호

다음과 같은 기호가 그림에 사용됩니다.

	이 숫자는 본 사용 설명서 첫 부분에 있는 해당 그림을 나타냅니다.
	그림에 매겨진 번호는 중요한 작업 순서 또는 작업 순서에 중요한 부분을 나타냅니다. 텍스트에 해당 작업 순서 또는 해당 번호가 매겨진 부분이 강조 표시됩니다(예: (3)).
	항목 번호는 개요 그림에서 사용되며 제품 개요 단락에 나와 있는 기호 설명 번호를 나타냅니다.
	이 표시는 제품을 다룰 때, 특별히 주의할 사항을 나타냅니다.



1.3 제품 관련 기호

1.3.1 제품에 사용된 기호

제품에 사용된 기호는 다음과 같습니다.

	타격하여 드릴링(함마드릴링)
	치출링
	치출 각도 조정
	보호 등급 III(이중 절연)
$/\text{min}$	분당 회전수
n_0	무부하 회전속도
\emptyset	직경
	무선 데이터 전송

2 안전

2.1 전동 공구에 대한 일반적인 안전상의 주의사항

⚠ 경고 해당 전동 공구와 함께 동봉된 모든 안전상의 주의 사항, 지침, 그림 및 기술자료를 숙지하십시오. 다음과 같은 지침 내용을 준수하지 않으면 전기 충격, 화재가 발생하거나 그리고/또는 중상을 입을 수 있습니다. 앞으로 모든 안전상의 주의사항과 지침을 보관하십시오.

안전상의 주의사항에서 사용되는 "전동 공구"라는 개념은 전원에 연결하여 사용하는 전동 공구(전원 케이블 있음) 또는 배터리를 사용하는 전동 공구(전원 케이블 없음)를 의미합니다.

작업장 안전수칙

- ▶ 작업장을 항상 깨끗이 하고 조명이 잘 들도록 하십시오. 어수선한 작업환경 또는 어두운 작업장은 사고를 초래할 수 있습니다.
- ▶ 인화성 액체, 가스 또는 먼지가 있어 폭발 위험이 있는 환경에서는 전동 공구를 사용하지 마십시오. 전동 공구는 먼지나 증기를 점화시킬 수 있는 스파크를 일으킵니다.
- ▶ 전동 공구를 사용할 때, 어린이들이나 다른 사람들이 작업장에 접근하지 못하도록 하십시오. 다른 사람의 방해로 인해 기기를 통제하기 어렵습니다.

전기에 관한 안전수칙

- ▶ 전동 공구의 전원 플러그가 소켓에 잘 끼워져야 합니다. 플러그를 절대 변형시켜서는 안됩니다. 접지된 전동 공구와 함께 아답타 플러그를 사용하지 마십시오. 변형되지 않은 플러그와 적합한 소켓을 사용하면 감전의 위험을 줄일 수 있습니다.
- ▶ 파이프, 히터, 전기레인지, 냉장고와 같은 접지 표면에 신체 접촉을 피하십시오. 신체에 닿을 경우 감전될 위험이 높습니다.
- ▶ 전동 공구가 비에 맞지 않도록 하고 습한 장소에 두지 마십시오. 전동 공구에 물이 들어가면 감전될 위험이 높습니다.
- ▶ 전원 케이블만 잡고 전동 공구를 운반하거나 걸어 놓아서는 안되며, 소켓에서 전원 플러그를 빼낼 때 케이블만 잡은 채로 빼내지 마십시오. 전원 케이블이 열, 오일, 날카로운 모서리 또는 부품의 가동 부위에 접촉하지 않도록 주의하십시오. 손상되거나 서로 꼬인 전원 케이블은 감전 위험을 높입니다.
- ▶ 실외에서 전동 공구를 이용하여 작업할 때, 실외용으로 승인된 연장 케이블만 사용하십시오. 실외용 연장 케이블을 사용하면 감전의 위험을 줄여줍니다.
- ▶ 전동 공구를 습한 환경에서 사용하는 것을 피할 수 없을 경우, 누전 차단기를 사용하십시오. 누전 차단기를 사용하면 감전 위험을 줄일 수 있습니다.

사용자 안전수칙

- ▶ 신중하게 작업하십시오. 작업에 정신을 집중하고 전동 공구를 사용할 때 경솔하게 행동하지 마십시오. 피곤하거나 항정신성 약물, 술 또는 약물 복용시에는 전동 공구를 사용하지 마십시오. 전동 공구 사용 시 이에 유의하지 않을 경우 심각한 부상을 초래할 수 있습니다.
- ▶ 안전 장비를 갖추고 보안경을 착용하십시오. 전동 공구의 종류와 사용에 따라, 먼지 보호 마스크, 미끄럼 방지용 안전 신발, 안전모 또는 귀마개 등과 같은 안전한 보호장비를 착용하면 부상의 위험을 줄일 수 있습니다.



- ▶ 실수로 기기가 작동하지 않도록 주의하십시오. 전동 공구를 전원 그리고/또는 배터리에 연결하기 전, 보관 또는 운반 전에 전동 공구가 스위치 OFF 상태인지 확인하십시오. 전동 공구 운반 시 스위치에 손가락을 대거나 스위치가 켜진 상태에서 전원을 연결하면 사고를 유발할 수 있습니다.
- ▶ 전동 공구의 스위치를 켜기 전, 조정공구 또는 렌치를 제거하십시오. 기기 회전부에 남아있는 공구나 렌치로 인해 부상을 입을 수 있습니다.
- ▶ 작업 시 비정상적인 자세는 피하십시오. 안전한 작업자세가 되도록 하고, 항상 균형을 유지하십시오. 이렇게 하여 예기치 않은 상황에서 전동 공구를 잘 제어할 수 있습니다.
- ▶ 적합한 작업복을 착용하십시오. 헐렁한 복장이나 장식품을 착용하지 마십시오. 작동하는 기기 가동 부위에 머리, 옷 그리고 장갑이 가까이 닿지 않도록 주의하십시오. 헐렁한 복장, 장식품 혹은 긴 머리가 가동 부위에 밀려 들어갈 수 있습니다.
- ▶ 먼지 제거장치나 수거장치를 설치할 수 있는 기기의 경우, 이 장치들이 연결되어 있는지 그리고 제대로 작동되는지를 확인하십시오. 먼지 포집장치 사용은 먼지로 인한 위험을 줄여줄 수 있습니다.
- ▶ 이 전동 공구를 여러번 사용해왔다고 해서 안전하다고 안심하지 말고 전동 공구에 해당되는 안전 규칙을 무시하지 마십시오. 부주의하게 행할 경우 아주 짧은 순간에 중상을 입을 수 있습니다.

전동 공구의 취급과 사용

- ▶ 기기에 과부하가 걸리지 않도록 하십시오. 귀하의 작업에 적합한 전동 공구를 사용하십시오. 적합한 전동 공구를 사용하면, 지정된 성능 한도 내에서 더 효율적으로 안전하게 작업할 수 있습니다.
- ▶ 스위치가 고장난 전동 공구는 사용하지 마십시오. 스위치가 작동되지 않는 전동 공구는 위험하므로, 반드시 수리를 해야 합니다.
- ▶ 기기 세팅을 실행, 액세서리를 교환 또는 기기를 보관하기 전에 컨택터를 전원소켓에서 그리고/또는 탈착식 배터리를 기기에서 빼놓으십시오. 이러한 조치는 실수로 전동 공구가 작동하지 않도록 방지합니다.
- ▶ 사용하지 않는 전동 공구는 어린이들의 손이 닿지 않는 곳에 보관하십시오. 기기 사용에 익숙치 않거나 또는 이 안전수칙을 읽지 않은 사람이 기기를 사용해서는 안 됩니다. 비숙련자가 전동 공구를 사용하면 위험합니다.
- ▶ 전동 공구 및 액세서리를 유의해서 관리하십시오. 기기의 가동 부위가 완벽하게 작동하는지, 끼어 있지 않은지, 혹은 부품이 손상되거나 파손되어 있어 전동 공구의 기능을 저하시키지 않는지 점검하십시오. 기기 사용 전 손상된 부품을 수리하도록 하십시오. 제대로 관리되지 않은 전동 공구는 많은 사고를 유발합니다.
- ▶ 절단기기는 날카롭고 깨끗하게 관리하십시오. 날카로운 절단면이 있고 잘 관리된 절단기기는 끼이는 경우가 드물고 조절하기도 쉽습니다.
- ▶ 본 지침에 따라 전동 공구, 액세서리, 공구 비트 등을 사용하십시오. 이 때 작업 조건과 실시하려는 작업 내용을 고려하십시오. 원래 사용 분야가 아닌 다른 작업에 전동 공구를 사용할 경우, 위험한 상황을 초래할 수 있습니다.
- ▶ 손잡이 및 손잡이 표면은 건조하고 깨끗하게, 그리고 오일과 그리스가 묻어있지 않도록 해야 합니다. 미끄러운 손잡이 및 손잡이 표면은 예상치 못한 상황에서 전동 공구를 안전하게 조작하고 제어할 수 없습니다.

서비스

- ▶ 전동 공구는 반드시 자격을 갖춘 전문 기술자에 의해 그리고 순정 대체부품만 이용하여 수리해야 합니다. 이렇게 하여 전동 공구의 안전성을 계속해서 유지할 수 있습니다.

2.2 해머에 대한 안전상의 주의사항

모든 작업에 대한 안전상의 주의사항

- ▶ 귀마개를 착용하십시오. 극심한 소음은 청각 상실을 유발할 수 있습니다.
- ▶ 기기와 함께 공급된 보조 손잡이를 사용하십시오. 기기를 제어하지 못하면 부상을 입을 수 있습니다.
- ▶ 공구 비트가 숨겨진 전선이나 기기 자체의 전원 케이블과 접촉할 수 있는 작업을 할 경우, 항상 기기의 절연된 손잡이 부분을 잡으십시오. 전류가 흐르는 전선과 접촉하면 전동공구의 금속 부위를 통해 감전이 될 수도 있습니다.

긴 드릴 사용 시 안전상의 주의 사항

- ▶ 드릴 작업은 항상 낮은 속도로 드릴이 공작물에 닿은 상태로 시작하십시오. 더 높은 속도로 작업하는 경우 드릴이 공작물에 닿지 않은 상태에서 회전하면 쉽게 구부러져 부상을 입을 수 있습니다.
- ▶ 과도한 힘을 가하지 말고 드릴이 작동하는 방향으로만 힘을 가하십시오. 드릴이 휘어져 파손되거나 통제력을 잃어 부상을 유발할 수 있습니다.

2.3 그 외의 안전상의 주의사항

사용자 안전수칙

- ▶ 기술적 하자가 없는 상태에서만 제품을 사용하십시오.
- ▶ 어떠한 경우에도 기기를 무단 변경 또는 개조하지 마십시오.



- ▶ 천공 작업 시, 작업할 부분의 반대편이 안전하게 조치를 취하십시오. 발생하는 분쇄물이 빠져 나오거나 또는 떨어지면서 다른 사람이 부상을 입을 수 있습니다.
- ▶ 항상 양손으로 기기의 손잡이를 잡고 공구를 고정시키십시오. 손잡이는 건조하고 깨끗하게 유지하십시오.
- ▶ 측면 손잡이는 항상 바깥쪽을 잡으십시오. 드릴 및 스크류 작업 시 기기를 측면으로 돌릴 수 있습니다.
- ▶ 회전하는 부품에 접촉하지 않도록 하십시오. - 부상 위험!
- ▶ 기기를 사용하는 동안 적절한 보안경, 안전모, 귀마개 및 보호마스크를 착용해야 합니다.
- ▶ 공구 교체 시에도 보호장갑을 착용하십시오. 공구 비트에 닿으면 부상을 입거나 화상을 당할 수 있습니다.
- ▶ 보안경을 착용하십시오. 재료의 파편으로 인해 눈 등 신체에 부상을 입을 수 있습니다.
- ▶ 작업을 시작하기 전, 작업 시 발생하는 먼지의 위험 등급을 알아보십시오. 해당 국가의 먼지 방지 규정에 적합하며, 공식적으로 허용된 보호 등급의 산업용 진공 청소기만을 사용하십시오.
- ▶ 가능하면 먼지 포집장치 및 적합한 이동식 먼지 흡인기를 사용하십시오. 납이 함유된 도료, 일부 목재, 콘크리트/조적벽돌/수정을 함유한 암석 및 금속과 같은 광물질로부터 나오는 먼지는 건강에 해로울 수 있습니다.
- ▶ 작업장을 잘 환기시키고 먼지의 종류에 따라 필요 시 보호마스크를 착용하십시오. 먼지를 흡입하거나 만질 경우, 사용자 또는 근처에 있는 사람에게 기관지 질병이나 알레르기 반응이 나타날 수 있습니다. 땀이나 무 입자 또는 너도밤나무 입자와 같은 특정 종류의 먼지는, 특히 목재 처리용으로 사용하는 첨가제(크롬산염, 목재 부식 방지제)와 결합하여 암을 일으킬 수 있습니다. 석면 물질은 전문기술자만 다룰 수 있습니다.
- ▶ 손가락의 혈액순환이 잘 되도록 하기 위해 휴식시간 동안 손가락 운동을 하십시오. 장시간 작업하면 진동으로 인해 혈관 장애 또는 손가락, 손 및 손목의 신경 체계에 이상이 있을 수 있습니다.

전기에 관한 안전수칙

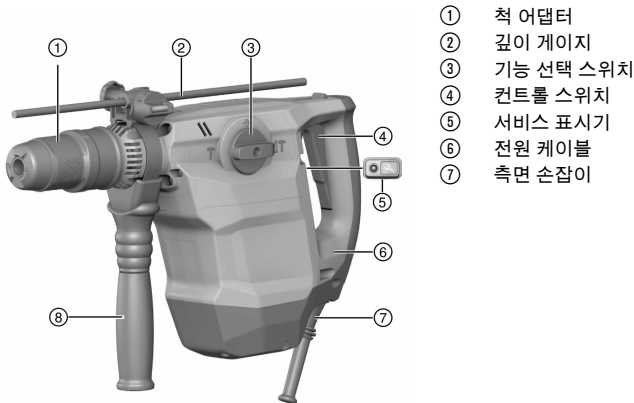
- ▶ 작업을 시작하기 전에, 작업장에서 가려져 있거나 덮혀 있는 전기 배선, 가스 파이프 그리고 하수도관이 있는지를 점검하십시오. 실수로 전기 케이블을 손상시킨 경우, 기기 바깥쪽에 있는 금속 부품에서 전기 쇼크를 일으킬 수 있습니다.

전동 공구의 올바른 사용방법과 취급방법

- ▶ 전동공구가 블로킹된 경우 즉시 전동공구의 스위치를 끄십시오. 기기가 옆으로 기울어질 수 있습니다.
- ▶ 전동공구를 내려놓기 전에 전동공구가 완전히 정지할 때까지 기다리십시오.

3 제품 설명

3.1 제품 개요 1



- ① 척 어댑터
- ② 깊이 게이지
- ③ 기능 선택 스위치
- ④ 컨트롤 스위치
- ⑤ 서비스 표시기
- ⑥ 전원 케이블
- ⑦ 측면 손잡이

3.2 전원 케이블을 갖춘 사양 2

- ① 제동 버튼
- ② 전동 공구의 연결부
- ③ 분리식 플러그 컨넥터가 달린 전원 케이블

3.3 규정에 맞는 사용

기술된 제품은 공압식 콤팩트 해머를 갖춘 전기 구동식 로타리 함마 드릴입니다. 이 기기는 콘크리트, 조적벽돌, 목재 및 금속 드릴링 작업에 적합합니다. 더불어 석재에 가벼운 치질링 작업에서부터 중간 정도의 치질링 작업을 할 때, 그리고 콘크리트에서 마무리작업을 할 때에도 이 제품을 사용할 수 있습니다.



▶ 형식 라벨에 제시되어 있는 정격 전압과 정격 주파수만 기기를 작동시켜야 합니다.

3.4 잘못 사용할 수 있는 경우

- 본 제품은 건강에 유해한 물질을 가공하는 데 적합하지 않습니다.
- 본 제품은 습한 환경에서 작업하는 데 적합하지 않습니다.

3.5 Active Vibration Reduction

본 제품은 진동을 현저하게 줄여주는 Active Vibration Reduction (AVR) 시스템이 장착되어 있습니다.

3.6 신속 교환식 척(액세서리)

신속 교환식 척은 보조 공구 없이도 신속한 공구 교환이 가능하게 해줍니다. "타격이 없는 " 모드에서 작동되는 스트레이트 샙크식 공구 또는 6각식 공구에 적합합니다.

3.7 서비스 표시기

본 제품은 램프 신호가 있는 서비스 표시기가 장착되어 있습니다.

상태	의미
서비스 표시기 점등	서비스 받을 시점에 도달하였음.
서비스 표시기 점멸	제품이 손상되었습니다. Hilti 서비스 센터에서 콤비 해머를 수리 받으십시오.

3.8 공급품목

콤비 해머, 측면 손잡이, 사용 설명서

해당 제품에 허용되는 기타 시스템 제품은 **Hilti Store** 또는 다음 사이트에서 확인할 수 있습니다.
www.hilti.group

4 기술자료

4.1 콤비 해머

정격 전압, 정격 전류, 주파수 그리고/또는 정격 출력은 국가별 형식 라벨을 참조하십시오.

발전기 또는 변압기에서 작동할 경우, 발전기 및 변압기의 공급출력이 본 기기의 형식 라벨에 적힌 정격 출력 보다 최소 두 배 이상 높아야 합니다. 변압기 및 발전기의 작동 전압은 항상 기기의 정격 전압의 +5 % ~ -15 % 사이에 위치해야 합니다.

	TE 50-AVR
제품 세대	03
EPTA-Procedure 01에 따른 무게	6.1kg
보관 온도	-20 °C ... 70 °C
작동 시 주변 온도	-17 °C ... 60 °C
Ø 함마 드릴	12mm ... 32mm
Ø 목재 드릴	6mm ... 35mm
Ø 금속 드릴	6mm ... 13mm

4.2 소음 정보 및 진동 값

이 치함에 제시된 음압 및 진동수준은 표준화된 측정방법에 따라 측정된 것이며, 전동 공구를 서로 비교하기 위한 용도로 사용할 수 있습니다. 음압 및 진동 수준은 노출 정도를 사전에 예측하는 데에도 유용하게 사용할 수 있도록 설계되어 있습니다.

제시된 데이터는 전동 공구의 주된 용도를 나타냅니다. 그러나 전동 공구를 다른 용도로 사용하거나 다른 공구 비트를 사용할 경우 또는 유지보수를 충분히 하지 않은 상태에서는 데이터에 편차가 있을 수 있습니다. 이러한 경우 전 작업시간에 걸쳐 노출이 현저하게 증가할 수 있습니다.



노출을 정확하게 평가하기 위해서는 전동 공구 작동이 멈춰 있거나 또는 작동 중이지만 실제로는 사용하지 않는 시간도 고려해야 합니다. 이러한 경우 전 작업시간에 걸쳐 노출이 현저하게 감소할 수 있습니다. 사용자를 보호하기 위해 음과 그리고/또는 진동이 작용하기 전에 다음과 같은 추가적인 안전 조치를 취하십시오. 전동 공구와 공구 비트의 유지보수, 손을 따뜻하게 유지, 작업순서 정하기 등.



여기에 적용된 EN 62841 규정의 버전에 관한 세부 정보는 적합성 선언 이미지 58에서 확인할 수 있습니다.

소음 배출값

	TE 50-AVR
소음 출력 수준 (L_{WA})	108dB(A)
소음 출력 수준 허용공차 (K_{WA})	3dB(A)
음압 수준 (L_{pA})	100dB(A)
음압 수준 허용공차 (K_{pA})	3dB(A)

진동 총 값

	TE 50-AVR
금속에 드릴링 ($a_{h,d}$)	< 5m/s ²
콘크리트에 함마 드릴링 ($a_{h,HD}$)	8.8m/s ²
치즐링 작업 ($a_{h,Cheq}$)	7.1m/s ²
명시된 진동값에 대한 허용공차 (K)	1.5m/s ²

5 조작

5.1 작업 준비



주의

부상위험! 제품의 돌발적인 시동.

- ▶ 기기 설정 또는 액세서리를 교체하기 전에 전원 플러그를 당기십시오.

본 문서 및 제품에 나와 있는 안전 지침 및 경고 지침에 유의하십시오.

5.1.1 측면 손잡이 장착

1. 손잡이를 돌려서 측면 손잡이 홀더(조임 밴드)를 푸십시오.
2. 홀더(조임 밴드)를 앞쪽에서부터 척 아답타 위로 지정된 홈까지 미십시오.
3. 측면 손잡이를 원하는 위치로 설정하십시오.
4. 손잡이를 돌려서 측면 손잡이 홀더(조임 밴드)를 조이십시오.

5.1.2 깊이 게이지 장착(선택사양)

1. 손잡이를 돌려서 측면 손잡이 홀더(조임 밴드)를 푸십시오.
2. 깊이 게이지를 앞쪽에서부터 지정된 2개의 가이드 홈 안쪽으로 미십시오.
3. 손잡이를 돌려서 측면 손잡이 홀더(조임 밴드)를 조이십시오.
 - ▶ 깊이 게이지가 설치되어 있습니다. 드릴 깊이 설정:
4. 깊이 게이지에서 볼트를 푸십시오.
5. 깊이 게이지를 원하는 드릴링 깊이로 조정하십시오.
6. 깊이 게이지에서 볼트를 조이십시오.

5.1.3 공구비트 삽입/분리



주의

공구 비트로 인한 부상 위험! 공구 비트가 뜨겁거나 모서리가 날카로울 수 있습니다.

- ▶ 공구 비트 교체 시 보호장갑을 착용하십시오.

1. 드릴 생크식 기기 비트를 가볍게 기름칠하십시오
2. 공구 비트를 스톱위치까지 척 아답타에 끼우고 장착하십시오.
 - ▶ 제품이 작동 가능한 상태입니다.



3. 공구 잠금장치를 스톱 위치까지 뒤고 당겨 기기 비트를 빼내십시오.



Hilti 의 순정 그리스만 사용하십시오. 적합하지 않은 그리스를 사용하면 제품이 손상될 수 있습니다.

5.2 작업

⚠ 주의

올바르지 않은 취급으로 인한 손상 위험!

- ▶ 작동 중에는 회전방향 선택 그리고/또는 기능 선택 스위치를 작동하지 마십시오.

본 문서 및 제품에 나와 있는 안전 지침 및 경고 지침에 유의하십시오.

5.2.1 타격하여 드릴링 (함마드릴링)

1. 기능 선택 스위치를 "함마드릴링" 위치에 두십시오 .
2. 드릴을 모재 위에 두십시오.
3. 컨트롤 스위치를 누르십시오.
 - ▶ 제품이 작동합니다.

5.3 치줄 각도 조정

⚠ 주의

부상위험! 치줄링 방향 점검 생략

- ▶ "치줄 각도 조정하기" 위치에서 작업하지 마십시오. 스위치가 맞물려 고정될 때까지 기능 선택 스위치를 "치줄링" 위치에 두십시오.



치줄 각도를 24가지의 다양한 위치 (15°단계)로 로크시킬 수 있습니다. 이를 통해 평치줄과 성형 치줄을 항상 최적의 작업위치에서 작동시킬 수 있습니다.

1. 기능 선택 스위치를 "치줄 각도 조정" 위치에 두십시오.
2. 치줄을 원하는 위치로 돌리십시오.
3. 스위치가 맞물려 고정될 때까지 기능 선택 스위치를 "치줄링" 위치에 두십시오.
 - ▶ 제품이 작동 가능한 상태입니다.

5.3.1 치줄링

- ▶ 기능 선택 스위치를 "치줄링" 위치에 두십시오.

5.3.2 연속 작동 모드 ON/OFF



치줄링 작업에서 ON/OFF스위치를 스위치가 켜진 상태에서 잠글 수 있습니다.

1. 연속 작동 모드 잠금버튼을 **앞쪽**으로 미십시오.
2. ON/OFF 스위치를 끝까지 누르십시오.
 - ▶ 이제 본 제품은 연속 작동 모드에서 작동합니다.
3. 연속 작동 모드 잠금버튼을 **뒤쪽**으로 미십시오.
 - ▶ 제품이 꺼집니다.

6 플러그 인 방식 케이블

6.1 전원 케이블 연결

⚠ 주의

오염된 접점에서 누설 전류로 인한 부상 위험

- ▶ 깨끗하고, 건조하고, 전압이 흐르지 않는 상태에서 분리식 전기 컨넥터를 전용 공구에 연결하십시오.

1. 분리식 플러그 전기 컨넥터를 기기 스톱 위치까지, 잠금 소리가 들릴 때까지 끼우십시오.
2. 전원 플러그를 소켓에 끼우십시오.



6.2 전동 공구에서 전원 케이블 분리

1. 전원 플러그를 소켓에서 빼내십시오.
2. 제동 버튼을 눌러 분리식 플러그 전기 컨넥터를 빼내십시오.
3. 전원 케이블을 기기에서 당겨 빼십시오.

7 관리 및 유지보수

경고

감전 위험! 전원 플러그가 삽입된 상태에서 관리 및 수리 작업을 진행하면 중상 및 화상을 입을 수 있습니다.

- ▶ 관리 및 수리 작업을 진행하기 전에 항상 전원 플러그를 분리하십시오!

관리

- 공구에 부착된 오염물질을 조심스럽게 제거하십시오.
- 마른 솔로 환기 홈을 조심스럽게 청소하십시오.
- 하우징은 약간 물을 적신 천으로만 닦으십시오. 플라스틱 부품을 손상시킬 수 있으므로 절대로 실리콘이 함유된 보호제를 사용하지 마십시오.

유지보수

경고

감전으로 인한 위험! 전기 구성부품에서 부적절하게 수리하면 중상을 입거나 화재를 야기할 수 있습니다.

- ▶ 전기 부품은 반드시 전기 기술자가 수리하도록 해야 합니다.

- 눈에 보이는 모든 부품은 정기적으로 손상 여부를 점검하고 조작 요소가 아무 문제없이 작동하는지 점검하십시오.
- 손상되었거나 기능 장애가 있는 경우에는 제품을 작동하지 마십시오. 바로 Hilti 서비스 센터에서 수리받으십시오.
- 관리 및 수리 작업 후 모든 보호장치를 가져와 기능을 점검하십시오.



안전한 사용을 위해서 순정 예비 부품 및 소모품만을 사용하십시오. 해당 제품에 허용되는 예비 부품, 소모품 및 액세서리는 **Hilti Store** 또는 **www.hilti.group**에서 확인할 수 있습니다.

8 운반 및 보관

- 전동공구는 공구가 끼워진 상태에서 운반하지 마십시오.
- 전동공구는 항상 전원 플러그를 당긴 상태로 보관하십시오.
- 기기는 건조한 상태로 보관하고 어린이 및 허용되지 않는 사람의 손에 닿지 않도록 하십시오.
- 전동공구를 장시간 운반 또는 보관한 후에는 사용하기 전에 손상 여부를 점검하십시오.

9 문제 발생 시 도움말

본 도표에 제시되어 있지 않거나 스스로 해결할 수 없는 문제가 발생한 경우 Hilti 서비스 센터에 문의해 주십시오.

9.1 고장 시 대책

장애	예상되는 원인	해결책
기기가 작동하지 않음.	전원이 공급되지 않음.	▶ 다른 전동공구를 끼워 기능을 점검하십시오.
	전원공급중단 후에 전자식 작동금치가 활성화됨.	▶ 기기를 꺾다가 다시 켜십시오.
타격이 되지 않음.	기기가 너무 차가움.	▶ 로터리 함마 드릴을 바닥에 두고 공회전 상태로 작동시키십시오. 필요한 경우 함마링 장치가 작동될 때까지 과정을 반복하십시오.
콤비 해머가 전출력으로 작동되지 않음.	연장 케이블의 단면적이 너무 작음.	▶ 전기도선의 단면적이 충분히 큰 연장 케이블을 사용하십시오.
	전원 전압이 너무 낮음.	▶ 콤비 해머를 다른 전원에 연결하십시오.



장애	예상되는 원인	해결책
드릴이 회전하지 않음.	기능 선택 스위치가 고정되지 않았거나 "치즐링" 위치 T 또는 "치즐 각도 조정" 위치 A 에 있지 않음.	▶ 기능 선택 스위치를 "함마드릴링" 위치에 두십시오 ▶ .
드릴이 잠금상태에서 풀리지 않음.	척 아답타를 완전히 뒤로 당기지 않았음. 측면 손잡이가 정확하게 장착 안 됨.	▶ 공구 잠금장치를 스톱 위치까지 뒤로 당겨 공구를 빼내십시오. ▶ 측면 손잡이를 풀 다음, 조임 밴드와 측면 손잡이가 홈에 안착되도록 정확하게 조립하십시오.
카본 브러시 교환 후 서비스 표시기가 점등됨.	접점이 아직 연삭되지 않음.	▶ 카본 브러시를 최소 1분 이상 공회전 속도에서 중단없이 계속해서 작동시키십시오.

10 폐기

Hilti 기기는 대부분 재사용이 가능한 소재로 제작되었습니다. 재활용을 위해 개별 부품을 분리하여 주십시오. Hilti는 대부분의 국가에서 재활용을 위해 노후기기를 수거해 갑니다. Hilti 고객 서비스센터 또는 판매 상담자에게 문의하십시오.



- ▶ 전동 공구, 전작식 기기 및 배터리를 일반 가정 쓰레기로 폐기하지 마십시오!

11 RoHS (유해물질 사용 제한 지침)

아래 링크에서 유해물질에 관한 도표를 확인할 수 있습니다. qr.hilti.com/r4902202.
RoHS 도표로 이어지는 링크는 본 문서 끝에 QR 코드 형식으로 제시되어 있습니다.

12 제조회사 보증

- ▶ 보증 조건에 관한 질문사항은 현지 Hilti 파트너사에 문의하십시오.

原始操作說明

1 關於操作說明的資訊

1.1 關於本操作說明

- 注意！在使用本產品之前，請確保您已閱讀並瞭解產品隨附的操作說明書，包括說明、安全性和警示注意事項、圖解和規格。尤其是熟悉所有說明、安全性和警示注意事項、圖解、規格、組件和功能。若未遵守，可能會導致觸電、火災和/或嚴重傷害的風險。妥善保存操作說明書，包括所有說明、安全性和警示注意事項，以備日後使用。
- 產品是針對專業使用者設計，故僅經訓練、認可的人員可操作、維修與維護本產品。必須告知上述人員關於可能遭遇到的特殊危險。若因未經訓練人員操作錯誤或未依照其原本的用途操作，則本產品和它的輔助工具設備有可能會發生危險。
- 隨附的操作說明書符合印刷時的最新技術水準。您隨時可在Hilti產品頁面上尋找最新版本。為此，請點選操作說明書中標示 符號的連結或QR碼。
- 將產品交予他人時，必須連同本操作說明書一併轉交。

僅適用於台灣

進口商: 喜利得股份有限公司

地址: 新北市板橋區

新站路16號24樓22041

電話: 0800-221-036

1.2 已使用的符號解釋

1.2.1 警告

警告您在操作或使用本產品時可能發生之危險。採用了以下標示文字：



⚠ 危險

危險！

- ▶ 此標語警示會發生對人造成嚴重傷害甚至致死的危險情形。

⚠ 警告

警告！

- ▶ 此標語警示會造成嚴重傷害甚至致死危險的潛在威脅。

⚠ 注意

注意！

- ▶ 請小心會造成人員受傷或對設備及其他財產造成損害的潛在危險情況。

1.2.2 操作說明中的符號

本操作說明中採用以下符號：

	請遵照操作說明
	使用說明與其他資訊
	處理可回收的材料
	不可將電子設備與電池當作家庭廢棄物處置

1.2.3 圖解中的符號

圖解中採用了以下符號：

2	號碼對應操作說明的開始處的圖解。
3	圖解中的編號表示重要的工作步驟或對工作步驟重要的元件。在文字中，這些工作步驟或元件以對應的數字明顯顯示，例如 (3) 。
11	概覽圖解中使用位置編號，方便您對應到 產品概覽 段落中的圖例編號。
	本符號是為了讓您在操作本產品時可以注意某些重點。

1.3 產品專屬符號

1.3.1 產品上的符號

產品上採用下列符號：

	以鎚擊動作進行鑽孔（鎚擊鑽孔）
	鑿孔
	鑿子定位
	防護等級II（雙重絕緣）
/min	每分轉數
n_0	無負載下的額定速率
\varnothing	直徑
	無線資料傳輸



2.1 一般電動機具安全警告

⚠ 警告 請詳閱本電動機具提供的所有安全警告、指示、圖解和說明。未能遵守以下所有指示可能會造成電擊事故、火災和 / 或嚴重的傷害。

妥善保存所有警告及說明，以供將來參考。

注意事項中的「機具」係指使用電源（有線）或電池（無線）的電動機具。

工作區域安全

- ▶ 請保持工作區的清潔與採光充足。雜亂而昏暗的工作區會導致意外發生。
- ▶ 勿在容易發生爆炸的環境中使用機具，例如有可燃性液體、瓦斯或粉塵存在的環境。機具產生的火花可能會引燃塵埃或煙霧。
- ▶ 操作機具時，請與兒童及旁人保持距離。注意力不集中時容易發生失控的情形。

電力安全

- ▶ 機具插頭與插座須能互相搭配。勿以任何方式改裝插頭。勿將任何變壓器插頭和與地面接觸（接地）的電動機具搭配使用。未經改裝的插頭以及能互相搭配的插座可減少發生電擊的危險。
- ▶ 避免讓身體接觸到如管線、散熱器、爐灶與冰箱等與土地或地表接觸之物品。如果您的身體接觸到地表或地面，將增加電擊的危險。
- ▶ 請勿將機具曝露在下雨或潮濕的環境中。若水氣進入機具中將增加觸電的危險。
- ▶ 勿濫用電纜線。勿以電纜線吊掛、拖拉機具或拔下機具插頭。電纜線應避開熱氣、油、銳利的邊緣或移動性零件。電纜線損壞或纏繞會增加發生電擊事故的危險。
- ▶ 於室外操作機具時，須使用適用於戶外的延長線。使用適合戶外使用的延長線可降低觸電的風險。
- ▶ 如果無法避免在潮濕的地點操作機具，請使用漏電斷路器（RCD）保護電源供應器。使用漏電斷路器（RCD）可降低電擊的風險。

人員安全

- ▶ 操作機具時，請提高警覺，注意進行中的工作並善用常識。感到疲勞或受到藥物、酒精或治療的影響時勿使用機具。操作機具時稍不留神就可能造成嚴重的人員傷亡。
- ▶ 穿戴個人防護裝備。請隨時穿戴眼罩。適當使用防塵面罩、防滑鞋、安全帽及耳罩等安全防護配備可減少人員的傷害。
- ▶ 避免不經意的啟動。在接上電源或電池組、抬起或攜帶機具之前，務必確認開關處於關閉的位置。攜帶機具時，如果把手指放在開關上，或在開關開啟時，將機具插上插頭容易發生意外。
- ▶ 啟動機具前，應將所有調整鑰匙或扳手移開。將扳手或鑰匙留在機具的旋轉零件中可能會造成人員傷害。
- ▶ 勿將手伸出過遠。隨時站穩並維持平衡。這可讓您在意外情況發生時，對機具有較好的控制。
- ▶ 穿著適當服裝。請勿穿著寬鬆的衣服或佩戴珠寶。頭髮、衣服與手套應遠離移動性零件。移動性零件可能會夾到寬鬆的衣服、珠寶或長髮。
- ▶ 如果機具可連接吸塵裝置與集塵設備，請連接並適當使用這些設備。使用集塵裝置可降低與粉塵有關的危險。
- ▶ 請勿因頻繁而習慣使用機具便疏於遵守或忽略機具的安全規範。草率使用可能在轉眼間便造成嚴重的傷害。

機具使用與保養

- ▶ 不可強制使用機具。依據用途使用正確的機具。根據設計的速率使用機具可更快速安全地完成工作。
- ▶ 若開關無法啟動或關閉電動工具時，請勿使用電動工具。任何無法以開關控制的機具都很危險且需要維修。
- ▶ 在進行任何調整、更換配件、或貯放電動機具前，請先將插頭拔離插座和 / 或將電池組自電動機具卸下（如可拆卸）。此預防安全措施可降低機具意外啟動的風險。
- ▶ 將閒置的機具貯放在兒童拿不到的地方，勿讓不熟悉或未詳閱本說明的人員操作本機具。機具在未經訓練的使用者手中是很危險的。
- ▶ 維護機具與配件。請檢查移動性零件有無偏移或黏合的情形、零件有無破損，以及任何會影響機具運轉的狀況。如果機具受損，請先維修後再使用。很多意外便是由維護不當的機具造成的。
- ▶ 保持切割機具的銳利與清潔。具銳利切割邊緣的切割機具如果得到適當的維護，便較不會發生黏合的現象，且較容易控制。
- ▶ 遵守本指示說明使用機具、配件和工具組等，並考量工作條件與待進行的工作。將機具用在原目的之外用途可能會造成危險。
- ▶ 保持握把與其表面的乾燥、清潔且不要讓上面出現油漬。握把及其表面濕滑會在意外情況中造成機具無法安全掌控。

維修服務

- ▶ 請將機具交給合格的維修人員進行維修，並使用相同的替代零件。這可確保維護機具安全。



2.2 電錘的安全注意事項

各種工作的安全操作說明

- ▶ 請配戴耳罩。暴露於噪音環境下會導致聽力受損。
- ▶ 請使用機具隨附的輔助握把。機具失控可能會導致人員受傷。
- ▶ 當所進行的工作，配件工具可能會碰觸到隱藏配線或其自身的電線時，請在操作時握住機具的絕緣握把。若配件工具接觸帶電線路，機具暴露在外金屬零件也會通電，造成操作員觸電。

使用長鑽頭的的安全操作說明

- ▶ 請務必讓鑽頭在接觸工件的狀態下以低速開始鑽孔。在未與工件接觸的情況下，若鑽頭以高於其最大允許轉速的速度旋轉，可能會發生輕微的曲度，這可能會導致人員受傷。
- ▶ 請勿對鑽頭施加過大的壓力，僅能沿著鑽頭的縱向軸施加壓力。鑽頭可能會彎曲並隨後破裂或導致失控，進而造成人員傷害。

2.3 其他安全預防措施

人員安全

- ▶ 請使用狀態良好無瑕疵的產品。
- ▶ 勿嘗試以任何方式改裝機具。
- ▶ 若工作包含鑿穿作業，請於工件另一面一併採取適當的防護措施。鑿穿的碎片會掉落和 / 或造成他人受傷。
- ▶ 以雙手確實握住機具的握把。請保持機具握把清潔和乾燥。
- ▶ 請務必握緊側向握把的末端。進行鑽孔或螺絲起子作業時，您可以將工具轉向側面。
- ▶ 不可碰觸旋轉中零件 - 有受傷的危險！
- ▶ 使用機具時，請穿戴適當的護目鏡、安全帽、耳罩以及輕型呼吸保護器。
- ▶ 請在更換配件工具時也戴上防護手套。觸摸配件工具會造成割傷或灼傷。
- ▶ 穿戴護目鏡。飛散的碎片會傷到人體或眼睛。
- ▶ 在開始作業前，請先針對作業時所產生粉塵之危險等級進行確認。使用符合當地粉塵防治條例，且經法定認可為保護等級之工業用吸塵器。
- ▶ 請盡量使用除塵系統與適當的行動吸塵裝置。含鉛塗料、某些木材及含石英之混凝土 / 石材 / 石頭、礦物質或金屬等材料的粉塵均可能對身體有害。
- ▶ 請確保工作場所所有良好通風，必要時，請依會產生的粉塵類型穿戴適合的口罩。操作人員與旁觀者接觸或吸入粉塵可能會引起過敏及 / 或造成呼吸問題或其他疾病。像是橡木與山毛櫸木材的粉塵已列為致癌物質，尤其是當它們使用調濕塗料（鉻酸鹽、木材防腐劑）時。含石棉之材料僅可交由專業人員處理。
- ▶ 請適時休息，並活動您的手指以促進血液循環。長時間暴露在震動下會造成手指、手掌和手腕的血管和神經系統失調。

電力安全

- ▶ 開始工作前，請先檢查工作區域是否有隱藏的電纜線、瓦斯管或水管。若不小心損害電纜線時，機具外部的金屬零件可能會導電而造成電擊的危險。

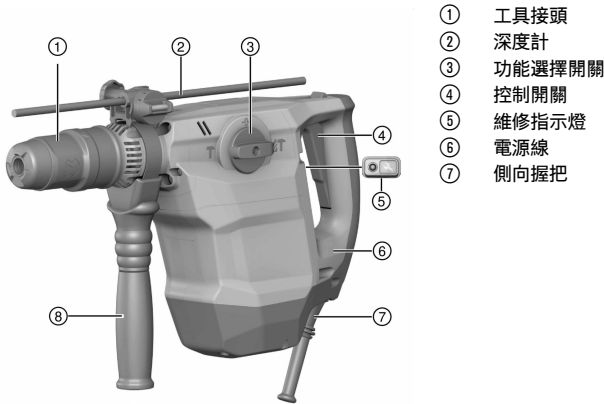
小心處理與使用電子機具

- ▶ 若配件工具卡住時請立即關閉機具。機具可能會絞到線材。
- ▶ 請等候機具完全停止再將其放下。



3 說明

3.1 產品總覽



3.2 具可拆式電源線的版本

- ① 鎖定鈕
- ② 電子機具上的連接頭
- ③ 含鍵齒、可拆式插頭的電源線

3.3 用途

本文所述產品為具氣動鎚擊機構之電動鑽鑿兩用電鎚鑽。適用於混凝土、石材、木材和金屬。亦可於石材上進行輕至中負載的鑿孔及於混凝土上進行表面拋光作業。

- ▶ 操作時務必使用符合機具型號識別牌上所標示的電壓及電頻。

3.4 可能發生的誤用

- 本產品不適合用於金屬相關作業。
- 本產品不適合在潮濕環境下作業。

3.5 Active Vibration Reduction

本機具配備主動減震 (Active Vibration Reduction (AVR)) 系統，可明顯減少震動。

3.6 快拆式夾頭 (配件)

快拆式夾頭可快速更換配件工具，無額外工具。其適用在「無鎚擊動作 」模式下操作的直柄或六角形工具。

3.7 維修指示燈

產品配備LED維修指示燈。

狀態	意義
維修指示燈亮起	維修時間已到。
維修指示燈閃爍	產品故障。請將產品鑽鑿兩用電鎚鑽交付Hilti維修中心進行維修。

3.8 配備及數量

鑽鑿兩用電鎚鑽、側向握把、操作說明。

關於本產品，您可於當地www.hilti.group或網站查詢其他經過認證可搭配使用的系統產品：**Hilti Store**



4 技術資料

4.1 鑿鑿兩用電鎚鑽



關於額定電壓、頻率、電流和 / 或輸入功率，請參閱特定國家型號識別牌。

如果裝置由發電機或變壓器供電，必須至少能提供兩倍於裝置額定銘板上標示的額定輸入值電力。發電機或變壓器的操作電壓必須隨時介於裝置額定電壓+5 %和-15 %以內。

	TE 50-AVR
產品世代	03
重量 (依據EPTA程序01)	6.1 kg
貯放溫度	-20 °C ... 70 °C
操作時的環境溫度	-17 °C ... 60 °C
Ø鎚擊鑽頭	12 mm ... 32 mm
Ø木材用鑽頭	6 mm ... 35 mm
Ø金屬用鑽頭	6 mm ... 13 mm

4.2 噪音資訊及震動值

操作說明中所提供之音壓和震動值已參照標準測量，並可用來比較不同機具之噪音。它們也可作為噪音量的初步評估。

提供之資料表示機具主要應用時之數值。若機具應用於不同之用途，搭配不同的配件工具或在保養不良的情況下，其數據會有所不同。在作業過程中，這會大幅提高其噪音量。

當電子機具關閉，或開啟但未進行任何作業時也應列入考量，才能準確評估噪音量。在作業過程中，這會大幅降低其噪音量。

確認其他安全措施，以保護操作員不受噪音和 / 或震動影響，例如：保養機具與其配件工具、操作前保持雙手溫暖、作業型式之安排等。



關於在本處所使用EN 62841標準版本的詳細資訊，請查閱符合聲明之副本 58。

震動值

	TE 50-AVR
聲功率級數 (L_{WA})	108 dB(A)
無法判定的聲功率級數 (K_{WA})	3 dB(A)
音壓級數 (L_{pA})	100 dB(A)
無法判定的音壓級數 (K_{pA})	3 dB(A)

總震動

	TE 50-AVR
金屬鑽孔 ($a_{h, D}$)	< 5 m/s ²
混凝土鎚擊鑽孔 ($a_{h, HD}$)	8.8 m/s ²
鑿孔 ($a_{h, Cheq}$)	7.1 m/s ²
無法判定的震動值 (K)	1.5 m/s ²

5 操作

5.1 工作場所的準備工作



注意

有受傷的危險！產品意外啟動。

- ▶ 在調整機具或變更配件前，請先拔除電源線。

請遵守本文中與產品上的安全說明和警告。



5.1.1 安裝側向握把

1. 旋轉握把以鬆開側向握把夾緊帶。
2. 將側向握把夾緊帶由前方繞過夾頭，然後推入提供的凹槽中。
3. 將側向握把轉至需要的位置。
4. 旋轉握把以鎖緊側向握把夾緊帶。

5.1.2 安裝深度計 (選配)

1. 旋轉握把以鬆開側向握把夾緊帶。
2. 將深度計從前方推入的提供的兩個定位引導孔內。
3. 旋轉握把以鎖緊側向握把夾緊帶。
 - ▶ 深度計已安裝。若要設定鑽孔深度：
4. 旋開深度計上的螺絲。
5. 將深度計調整至需要的鑽孔深度。
6. 鎖緊深度計上的螺絲。

5.1.3 安裝 / 卸下配件工具

注意

配件工具造成受傷的危險！配件可能會非常燙或是有尖銳的邊緣。

- ▶ 請在更換配件時戴上防護手套。

1. 在配件工具的連接頭添加少量的潤滑油。
2. 盡可能將配件工具推入夾具內，直到咬合為止。
 - ▶ 產品已可以使用。
3. 將夾頭拉回直到移除配件工具為止。



限使用Hilti提供的建議潤滑劑。使用不適合的潤滑劑可能會造成產品損壞。

5.2 工作類型


注意

操作錯誤會有導致 損壞的危險！

- ▶ 操作時，請勿使用旋轉方向和 / 或功能選擇開關。

請遵守本文件中與產品上的安全說明和警告。

5.2.1 以鎚擊動作進行鑽孔 (鎚擊鑽孔)

1. 將功能選擇開關設定至「鎚擊鑽孔」位置 
2. 按下鑽頭抵住工作表面。
3. 按下控制開關。
 - ▶ 產品啟動。

5.3 鑿子定位

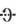

注意

有受傷的危險！無法掌控鑿子方向。

- ▶ 當選擇開關設定為「鑿子定位」時，請勿操作機具。將功能選擇開關轉到「鑿孔」位置。



鑿子可調整在24種不同位置（每15°一段）。這可確保扁鑿和各形狀鑿子可以設定在最佳操作位置。

1. 將功能選擇開關設定至「鑿子定位」位置 
2. 將鑿子旋轉到需要的位置。
3. 將功能選擇開關轉到「鑿孔」  位置。
 - ▶ 產品已可以使用。



5.3.1 鑿孔

- ▶ 將功能選擇開關設定為「鑿孔」位置 **T**。

5.3.2 切換連續運轉開關



鑿孔時，可將On/Off開關鎖定在「開啟」的位置。

1. 將連續運轉鎖定開關往前推。
2. 按下On/Off開關直到可以運轉為止。
 - ▶ 產品會以連續運轉模式運轉。
3. 將持續運轉鎖定鈕向後推。
 - ▶ 產品即關閉。

6 可拆式電源線

6.1 連接可拆式電源線

注意

有受傷的危險！因接點髒污的漏電流而造成。

- ▶ 只有在可拆式電力連接頭乾淨、乾燥且電源線未插入插座時，才能連接到機具。

1. 將含鍵齒、可拆式電子插頭連接頭盡量推入插座中，直到聽見咬合聲。
2. 將電源線插頭插入插座。

6.2 拔除可拆式電源線

1. 將電源線插頭自插座拔離。
2. 按下拆卸鈕，然後將含鍵齒、可拆式電子插頭連接頭從插座上拔出。
3. 將電源線連接頭從機具中取出。

7 維護及保養

警告

觸電危險！電源線仍連接到電源插座時進行維護和保養會造成嚴重的傷害或灼傷。

- ▶ 進行維護及保養前，請務必拔下電源線。

注意

- 仔細清除機具的頑強灰塵。
- 請使用乾燥的刷子小心清潔通風口。
- 僅能使用微濕軟布清潔外殼。勿使用含硅樹脂的清潔或亮光劑，因為可能會造成塑膠零件損壞。

維護

警告

電擊的風險！損壞的電子零件會造成嚴重的人員傷害及灼傷。

- ▶ 機具或設備電力部分的維修僅可交由訓練過的電力專員處理。
- 定期檢查外部零件和控制元件有無損壞跡象，並確認它們運作正常。
- 如果有損壞跡象或任何零件功能故障，請不要操作本產品。請將產品立刻交付Hilti維修中心進行維修。
- 清潔及保養後，裝上所有防護套或保護裝置並檢查功能是否正常。



為確保操作的安全及可靠性，請務必使用原廠Hilti備件與耗材。要選購Hilti認可的備件、耗材和配件，請至Hilti Store或網站：www.hilti.group。

8 搬運和貯放

- 搬運電子機具時請勿安裝配件。
- 貯放電子機具或設備前請務必將電源線拔掉。
- 請將工具與設備貯放在乾燥且兒童或未授權的人員無法觸及的地點。



- 長時間搬運與貯放後請檢查電子機具或設備是否有損壞。

9 故障排除

若您遇到未列出的問題或是無法自行排除的問題，請聯絡Hilti維修中心。

9.1 故障排除

故障	可能原因	解決方法
機具無法啟動。	電源供應中斷。	▶ 將插頭插入另一電子機具或電器並檢查是否可啟動。
	電源中斷後電子重新啟動聯鎖裝置啟用。	▶ 關閉機具後再開啟。
無銼鑽作業。	機具溫度太冷。	▶ 讓鑽頭尖端與工作面接觸，開啟旋轉銼使之旋轉。如果需要，請重複此程序直到銼擊機制開始運作。
鑽鑿兩用電銼鑽無法達到全功率。	延長線導體的規格（截面積）不足。	▶ 使用有足夠導體截面積的延長線。
	電源供應電壓過低。	▶ 連接鑽鑿兩用電銼鑽到其他電源。
鑽頭無法旋轉。	功能選擇開關未啟用或在 T 「鑿孔」或 ↔ 「鑿位調整」位置。	▶ 將功能選擇開關設定至「銼擊鑽孔」位置 T 。
鑽頭無法鬆開。	夾頭未完全拉回。	▶ 將夾頭拉回直到移除配件工具為止。
	側向握把未正確安裝。	▶ 鬆開側向握把並重新安裝，讓夾緊帶與側向握把咬合在凹槽中。
更換碳刷後維修指示燈亮起。	接觸面尚未磨合。	▶ 讓機具在無負載狀態下持續運作至少1分鐘無中斷，讓碳刷磨合。

10 廢棄設備處置

Hilti機具或設備所採用的材料大部分均可回收再利用。材料在回收前必須正確地分類。在許多國家中，您可以將舊機具及設備送回Hilti進行回收。詳情請洽Hilti維修中心，或當地Hilti代理商。



- ▶ 不可將電動工具、電動裝置和電池當成一般垃圾丟棄！

11 RoHS (有害物質限制指令)

按一下本連結可前往危險物質表：qr.hilti.com/r4902202。

您可在文件最後找到QR碼格式的RoHS表連結。

12 製造商保固

- ▶ 如果您對於保固條件有任何問題，請聯絡當地Hilti代理商。

Hilti Taiwan Co., Ltd.

24F., No. 16, Xinzhan Rd., Banqiao Dist., New Taipei City 220, Taiwan (R.O.C.)



Tel. 0800-221-036



原版操作说明

1 关于本操作说明的信息

1.1 关于本操作说明

- 警告！在使用本产品之前，请确保您已阅读并理解产品随附的操作说明，包括说明、安全和警告通知、插图和规格。尤其要熟悉所有说明、安全和警告通知、插图、规格、组件和功能。否则可能会导致触电、火灾和/或严重伤害的风险。保存操作说明，包括所有说明、安全和警告通知，以供以后使用。
-  产品设计适用于专业用户，只有经过专门训练的授权人员才允许操作、维修和维护本产品。必须将任何可能的危险专门告知该人员。不按照说明使用或由未经培训的人员不正确地使用本产品及其辅助设备可能会带来危险。
- 随附的操作说明符合印刷时的最新技术水平。始终在 Hilti 产品页面上在线查找最新版本。为此，请点击这些操作说明中标有  符号的链接或二维码。
- 仅将产品连同本操作说明一起交给他人。

1.2 所用标志的说明

1.2.1 警告

警告是为了提醒您在处理或使用此产品时会发生的危险。使用以下信号词：



危险！

- ▶ 用于让人们能够注意到会导致严重身体伤害或致命的迫近危险。



警告！

- ▶ 用于提醒人们注意可能导致严重或致命伤害的潜在危险。







小心！

- ▶ 用于提醒人们注意可能造成人身伤害、设备损坏或其他财产损失的潜在危险情况。


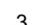


1.2.2 操作说明中的符号

本操作说明中使用下列符号：

	遵守操作说明
	使用说明和其他有用信息
	处理可回收材料
	不得将电气设备和电池作为生活垃圾处置

1.2.3 图示中的符号

图示中使用了下列符号：

	这些编号指本操作说明开始处的相应图示。
	图示中的编号表示重要的操作步骤或对操作步骤重要的部件。这些操作步骤或部件在文本中使用相应的编号突出显示，例如 (3)。
	位置编号被用于概览图中并表示产品概览段落中的图例编号。
	这些符号旨在提醒您在操作本产品时要特别注意的某些要点。



1.3 取决于产品的符号

1.3.1 产品上的符号

产品上使用下列符号：

	通过锤击作用钻孔 (锤击钻孔)
	凿边
	凿子定位
	保护等级 II (双重绝缘)
/min	每分钟转数
n_0	无负荷下的额定转速
\varnothing	直径
	无线数据传输

2 安全

2.1 一般电动工具安全警告

警告 请阅读本电动工具随附的所有安全警告、说明、图示和技术规范。不遵守下列所有操作说明可能会导致电击、火灾和/或严重人身伤害。

请保存所有安全警告和操作说明，以供将来参考。

在所有下列的警告中术语“电动工具”指市电驱动 (有线) 电动工具或电池驱动 (无线) 电动工具。

工作区域安全

- ▶ 保持工作区域清洁和良好照明。杂乱和黑暗的区域容易导致事故。
- ▶ 不要在爆炸性环境中操作电动工具，例如有易燃液体、气体或灰尘。电动工具会产生可以点燃这些灰尘或烟雾的火花。
- ▶ 在操作电动工具时，要令儿童和旁观者远离工作现场。万一分心，可能会使您失去对电动工具的控制。

电气安全

- ▶ 电动工具 (设备) 插头必须匹配电源插座。切勿以任何方式改动插头。对于接地的电动工具 (设备)，不要使用任何适配器插头。使用未经改动的插头和匹配的电源插座可以大大减少电击危险。
- ▶ 避免人体接触接地表面，如管道、散热片和冰箱。如果您的身体接地，则会增加电击危险。
- ▶ 不要将电动工具暴露在雨水或潮湿环境中。电动工具进水将会增加电击危险。
- ▶ 不要滥用电缆。切勿使用电缆运送、拉动或拔出电动工具。保持电缆远离高温、油、锋利边缘或运动部件。电缆损坏或缠绕会增加电击危险。
- ▶ 当在户外操作电动工具时，应使用经认可适合户外操作的加长电缆。使用适合户外使用的电缆可减少电击危险。
- ▶ 如果在潮湿环境下操作电动工具是不可避免的，应使用剩余电流动作保护器 (RCD)。使用 RCD 可减小电击危险。

人身安全

- ▶ 保持警觉，注意您正在进行的工作，并在操作电动工具的过程中，应利用自己的判断能力。当您疲劳或受到药物、酒精或医疗影响时，请不要使用电动工具。当操作电动工具时，瞬间的分心都可能导致严重的人身伤害。
- ▶ 使用个人防护装备。一定要戴上护目装置。安全装置，诸如适当条件下使用防尘面具、防滑安全鞋、安全帽、听力防护等装置能减少人身伤害。
- ▶ 防止电动工具意外启动。在连接至电源和/或电池组、拿起或搬运电动工具之前，应确保开关处于“关闭”位置。将手指放在开关上搬运电动工具或在开关处于“打开”位置时接通电源，都可能会导致事故发生。
- ▶ 在打开电动工具之前，必须拿掉任何调整键或扳手。让扳手或调整键留在电动工具的旋转部件上可能会导致人身伤害。
- ▶ 不要操之过急。应时刻保持正确的站姿和平衡。这在意外情况下能够更好地控制电动工具。
- ▶ 应确保正确着装。不要穿着松垮的衣服或佩戴首饰。让头发和衣服远离运动部件。松垮的衣服、首饰或长发会卡在运动部件中。
- ▶ 如果提供有助于连接除尘和集尘设施的装置，应确保将它们连接好并正确使用。使用除尘装置可以减少与灰尘相关的危险。



- ▶ 经常使用工具能令您获得较高的熟练度，但不能因此掉以轻心和忽视工具安全准则。一次不慎操作就会在瞬间导致重伤。

电动工具的使用和维护

- ▶ 不要强制使用电动工具。针对您的应用场合使用正确的电动工具。正确的电动工具在其额定设计值范围内将能够更好和更安全地工作。
- ▶ 如果通过开关不能使其打开和关闭，则请不要使用电动工具。任何不能通过开关进行控制的电动工具都是危险的，必须对其进行修理。
- ▶ 在进行任何调整、更换配件或存放电动工具之前，应从电源上断开插头和/或从电动工具上拆下电池组（若可拆卸）。此预防性安全措施可减少意外启动电动工具的危险。
- ▶ 将不用的电动工具存放在儿童拿不到的地方，并且不要让不熟悉电动工具或其操作说明的人员操作电动工具。未经培训的用户操作电动工具是危险的。
- ▶ 维护电动工具和配件。检查是否存在运动部件失调或卡滞、部件断裂和任何其它影响电动工具操作的情况。如果存在损坏，则在使用之前应修理电动工具。许多事故都是由于电动工具维护不良造成的。
- ▶ 保持切削工具锋利和清洁。带锋利切削刃的切削工具如果维护得当，很少会发生卡滞且更容易控制。
- ▶ 按照使用说明书，考虑作业条件和进行的作业来使用电动工具、附件和工具的刀头等。将电动工具用于指定用途以外的场合会导致危险。
- ▶ 使手柄和抓握面保持干燥、清洁且没有油脂。如果手柄和抓握面打滑，将无法在意外情况下安全操作或控制本工具。

保养

- ▶ 将您的电动工具送交专业维修人员，使用同样的备件进行修理。这样才可确保维持电动工具（设备）的安全性。

2.2 锤子安全说明

适用于所有作业类型的安全说明

- ▶ 戴上护耳装置。如果直接暴露在噪音中，则会导致听力受损。
- ▶ 使用随工具提供的辅助手柄。对工具失去控制可能会导致人身伤害。
- ▶ 执行配套工具可能接触到隐藏线束或其自带电缆的操作时，应通过绝缘的抓握面握住电动工具。如果配套工具接触到带电电线，电动工具的金属部件也将带电，从而导致电击。

关于使用长钻头的安全说明

- ▶ 始终以低转速开始钻孔，并使钻头与工件接触。在未与工件接触的情况下，如果钻头的旋转速度超出其最大允许转速，则会导致其轻微弯曲，继而造成伤害事故。
- ▶ 不要向钻头施加过大的压力，仅可在钻头的纵向轴上施加压力。否则钻头会弯曲，继而断裂或导致失控和伤害事故。

2.3 附加的安全说明

人身安全

- ▶ 只有产品处于良好的技术状态时才能使用。
- ▶ 不得以任何方式滥用或改动本设备。
- ▶ 当执行需要穿透的作业时，在工件对侧采取适当的安全措施。被钻下的工件部分可能会弹出或掉落并伤害到其他人。
- ▶ 应始终用双手抓握手柄部分稳稳握住设备。保持手柄清洁干燥。
- ▶ 始终在外端握住侧面手柄。当用于钻孔或螺丝驱动时，该工具可能会在一侧抱死。
- ▶ 请勿触摸旋转部件 - 人身伤害危险！
- ▶ 使用本设备时请佩戴适当的护目镜、安全帽、护耳装置和轻型呼吸防护装置。
- ▶ 更换配件工具时，戴上防护手套。触碰配套工具会导致割伤和烫伤。
- ▶ 请戴上护目装置。飞溅的碎片会导致身体和眼睛受伤。
- ▶ 在开始工作之前，应测定工作时会产生的粉尘的危险等级。使用具有官方认可防护等级的工业真空吸尘器，并遵守当地适用的粉尘防护规定。
- ▶ 尽可能使用除尘系统和适当的移动式吸尘器。一些材料产生的粉尘（例如含铅油漆、某些类型的木材以及含有石英、矿物或金属的混凝土/砖石/石块）可能对人体健康有害。
- ▶ 确保工作场所通风良好，必要时佩戴适用于产生的粉尘类型的呼吸器。接触或吸入这些粉尘可能会导致操作者或旁观者出现过敏性反应和/或呼吸疾病或其他疾病。某些种类的粉尘还属于致癌物质，例如橡木和山毛榉粉尘，特别是在带木材调节添加剂（铬酸盐、木材防腐剂）时。含石棉的材料只能由专业人员进行处理。
- ▶ 在工间休息期间可锻炼手指，以改善手指的血液循环。工作期间长时间暴露于振动环境可能导致手指、手掌和手腕部位血管和神经系统紊乱。



电气安全

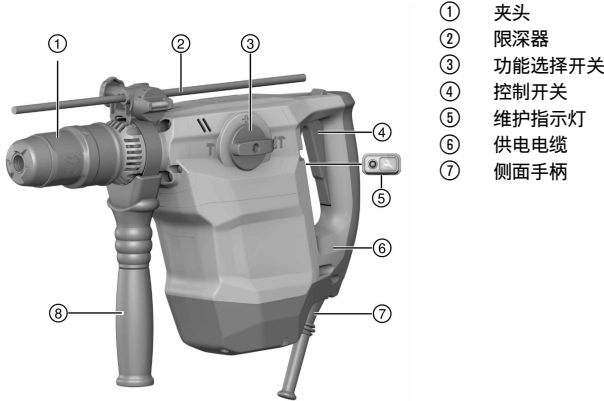
- ▶ 开始工作之前，检查工作区域是否有隐蔽的电缆或天然气和水管。如果您意外损坏了电缆，电动工具的外部金属部件可能带电，带来电击风险。

小心操作和使用电动工具

- ▶ 如果配套工具卡住，应立即关闭电动工具。电动工具可能会抱死。
- ▶ 直至电动工具完全停止才可将其放下。

3 说明

3.1 产品概览 1



- ① 夹头
- ② 限深器
- ③ 功能选择开关
- ④ 控制开关
- ⑤ 维护指示灯
- ⑥ 供电电缆
- ⑦ 侧面手柄

3.2 配备可拆卸式电源线的型号 2

- ① 锁止按钮
- ② 电动工具的插头
- ③ 带键控可拆式插头的电源线

3.3 预期用途

所述的产品是一款带气动锤击机构的电动组合锤。其设计用于在混凝土、砖石建筑、木材和金属中钻孔。本产品也可用于砖石建筑上的轻型到中等负荷凿边作业以及混凝土表面的修整工作。

- ▶ 只有当相连电源的电压和频率符合电动工具标牌上的给定信息时，才能操作本电动工具。

3.4 可能的误用

- 该产品不适用于加工危险材料。
- 该产品不适用于在潮湿环境下工作。

3.5 Active Vibration Reduction

本工具配备有 Active Vibration Reduction (AVR) 系统，能够显著减小振动。

3.6 快拆式夹头 (配件)

快拆式夹头能够加快配件工具更换操作，而无需借助附加工具。适用于带圆柱柄或六角柄的工具，在“无锤击”模式中使用。

3.7 维护指示灯

本产品具有 LED 维护指示灯。

状态	含义
维护指示灯显示	到了该进行维护的时候。



状态	含义
维护指示灯闪烁	本产品有故障。将组合锤交由 Hilti 维修中心修复。

3.8 供应的部件

组合锤、侧面手柄、操作说明。

经批准可以与本产品搭配使用的其它系统产品，可以在您当地的 www.hilti.group 购买或访问 Hilti Store 在线订购

4 技术数据

4.1 组合锤

有关额定电压、频率、电流和/或输入功率的详细信息，请参见各国特定的铭牌。

当通过发电机或变压器为设备供电时，发电机或变压器的输出功率必须至少达到本设备铭牌上显示的额定输入功率的两倍。变压器或发电机的工作电压必须始终保持在设备额定电压 +5% 和 -15% 的范围内。

	TE 50-AVR
产品代次	03
重量 (按照 EPTA 程序 01)	6.1 kg
存放温度	-20 °C ... 70 °C
工作环境温度	-17 °C ... 60 °C
∅ 锤钻头	12 mm ... 32 mm
∅ 木工钻头	6 mm ... 35 mm
∅ 钻金属用钻头	6 mm ... 13 mm

4.2 噪声信息和振动值

这些说明中给出的声压和振动值按照标准化测试的要求测得，可用于比较一种电动工具与另一种电动工具。它们还可用于初步评价受振动影响的程度。

提供的数据代表本电动工具的主要应用。但是，如果将电动工具用于不同的应用、使用不同的配套工具或维护不良，则数据可能不同。这可能会显著增加操作者在整个工作期间受振动影响的程度。

对受振动影响程度的准确估计还应考虑当关闭电动工具或当它运行但实际未进行工作时的情况。这可能会显著减小操作者在整个工作期间受振动影响的程度。

此外，应确定附加安全措施，以保护操作者免受噪音和/或振动影响，例如：正确维护电动工具和配套工具、保持双手温暖、制订合理的工作计划等。

关于此处所使用的 EN 62841 标准版本的详细信息，请查看符合性声明图示 58。

噪声排放值

	TE 50-AVR
声 (功率) 级 (L_{WA})	108 dB(A)
声音功率级的不确定性 (K_{WA})	3 dB(A)
声压级 (L_{pA})	100 dB(A)
声压级的不确定性 (K_{pA})	3 dB(A)

总振动力

	TE 50-AVR
在金属中钻孔 ($a_{n,D}$)	< 5 m/s ²
在混凝土中锤击钻孔 ($a_{n,HD}$)	8.8 m/s ²
凿边 ($a_{n,ChEq}$)	7.1 m/s ²
给定振动值的不确定性 (K)	1.5 m/s ²



5 操作

5.1 工作现场的准备工作



人身伤害的危险！产品意外启动。

- ▶ 对电动工具进行任何调节前或更换配件前，先拔出电源线插头。

请遵守本文档中以及产品上的安全说明和警告。

5.1.1 安装侧面手柄

1. 通过转动手柄握柄释放侧面手柄夹紧带。
2. 将侧面手柄夹紧带越过夹头从前面滑入提供的凹槽中。
3. 将侧面手柄调整到期望的位置。
4. 通过转动手柄握柄紧固侧面手柄夹紧带。

5.1.2 安装深度计 (选装)

1. 通过转动手柄握柄释放侧面手柄夹紧带。
2. 将深度计从前面滑入提供的两个导向孔中。
3. 通过转动手柄握柄紧固侧面手柄夹紧带。
 - ▶ 深度计已安装。设置钻孔深度：
4. 释放深度计上的螺钉。
5. 调整深度计至期望的钻孔深度。
6. 拧紧深度计上的螺钉。

5.1.3 安装/拆卸配套工具



配套工具有导致人身伤害的危险！配套工具可能会发烫或边缘很锋利。

- ▶ 更换配件工具时，戴上防护手套。

1. 在配套工具的连接端涂抹少量润滑脂。
2. 将配件工具推入夹头中并推到底（直至它接合）。
 - ▶ 本产品处于备用状态。
3. 向后拉动夹头，直到拉不动为止，然后拆下配套工具。



请仅使用 Hilti 提供的推荐润滑脂。使用不合适的润滑脂可能会损坏本产品。

5.2 工作类型



损坏风险 由错误操作引起！

- ▶ 不得在运行期间操作旋转方向和/功能选择开关。

请遵守本文档中以及产品上的安全说明和警告。

5.2.1 通过锤击作用钻孔 (锤击钻孔)

1. 将功能选择开关设置到“锤击钻孔”位置
2. 将钻头压靠在工作面上。
3. 按下控制开关。
 - ▶ 本产品启动。


5.3 凿子定位

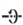



人身伤害的危险！失去对凿子方向的控制。


- ▶ 当选择开关被设置到“凿子定位”位置时，不要操作工具。将功能选择开关转到“凿边”位置。




 可以将凿子调整至 24 个不同位置 (以 15° 为增量)。这样可确保总是可以将平头和成形凿子设置到最佳工作位置。

1. 将功能选择开关设置到“凿子定位”位置 .
2. 将凿子旋转至期望的位置。
3. 将功能选择开关转到“凿边”  位置。
 - ▶ 本产品处于备用状态。

5.3.1 凿边

- ▶ 将功能选择开关转到“凿边”位置 .

5.3.2 打开/关闭连续操作

 当凿边时，“打开/关闭”开关可锁止在“打开”位置。

1. 向前推动连续操作锁止按钮。
2. 尽可能按下“打开/关闭”开关。
 - ▶ 本产品随后以连续操作模式运行。
3. 向后推动连续操作锁止按钮。
 - ▶ 本产品关闭。

6 可拆卸电源线

6.1 连接可拆卸电源线

 -小心-

人身伤害的危险！触点变脏可能导致漏电！

- ▶ 只有当可拆卸插头清洁、干燥且电源线从插座内拔出时，才能将可拆卸插头插入电动工具中。
1. 将可拆卸式键控电插头在插座中插到底，直到听到其接合的声音。
 2. 将电源线插头插入电源插座。

6.2 断开可拆卸电源线

1. 从电源插座上拔掉电源线插头。
2. 按下释放按钮，从插座中拔出带钥匙的可拆卸式电插头。
3. 从电动工具上拉出电源线插头。

7 维护和保养

 -警告-

电击危险！如果试图在电源线连接电源插座的情况下执行保养和维护，则会导致严重受伤和烫伤。

- ▶ 执行维护和保养任务之前，请务必拔下电源线。

保养

- 小心地清除工具上的顽固污渍。
- 使用干燥的刷子小心清洁通风孔。
- 请仅使用略湿的布清洁壳体。不要使用含硅清洁剂，否则可能腐蚀塑料件。

维护

 -警告-

电击危险！电气部件的不当维修会造成包括灼伤在内的严重人身伤害。

- ▶ 工具或设备的电气系统只能由受过培训的电气专业人员进行维修。
- 定期检查所有可见部件和控制器是否出现损坏迹象，确保其全部正常工作。
 - 如果发现损坏迹象或如果有部件发生故障，不要操作本产品。立即将产品交由 Hilti 维修中心修复。
 - 清洁和维护之后，安装所有护板或保护装置，检查并确认其正常工作。



i 为确保安全和可靠的操作，仅限使用 Hilti 原装备件和消耗品。Hilti 批准用于配合产品使用的备件、消耗品和配件可到您当地的 **Hilti Store** 购买或通过以下网址在线订购：www.hilti.group。

8 运输和存放

- 运输电动工具时不得安装配套工具。
- 储存电动工具或设备之前，必须拔掉电源线。
- 将工具和设备存放在儿童或非授权人员无法接近的干燥位置。
- 经过长时间的运输或储存后，检查电动工具或设备是否损坏。

9 故障排除

如果您碰到的问题未在此表中列出或您无法自己实施补救措施，请联系 **Hilti** 服务部门。

9.1 故障排除

故障	可能原因	解决方案
电动工具不启动。	电源中断。	▶ 接上另一电动工具或设备并检查它是否工作。
	在电源中断之后电子重新启动联锁装置启动。	▶ 关闭电动工具然后再次打开。
没有锤击作用。	电动工具过冷。	▶ 使钻头尖接触到工作面，打开旋转电锤并使其运转。必要时，重复该步骤，直到锤击机构开始工作。
组合锤不能达到全功率。	加长电缆导体的截面积不足。	▶ 使用具有足够导体截面积的加长电缆。
	电源提供的电压太低。	▶ 将组合锤连接至不同的电源。
钻头不旋转。	功能选择开关没有接合或处于 T “凿边”位置或 \rightarrow “凿子调整”位置。	▶ 将功能选择开关设置到“锤击钻孔”位置 1T 。
无法释放钻头。	夹头未完全向后拉回。	▶ 向后拉动夹头，直到拉不动为止，然后拆下配套工具。
	没有正确安装侧面手柄。	▶ 释放侧面手柄，然后正确地重新安装，使夹紧带和侧面手柄接合在凹槽中。
更换碳刷后维护指示灯亮起。	接触面尚未磨合。	▶ 必须让电动工具在无负荷条件下连续运行至少 1 分钟才能磨合碳刷。

10 废弃处置

大部分用于 Hilti 工具和设备生产的材料是可回收利用的。在可以回收之前，必须正确分离材料。在很多国家，您的旧工具、机器或设备可送至 **Hilti** 进行回收。敬请联系 **Hilti** 服务部门或您的喜利得公司代表获得更多信息。



- ▶ 不要将电动工具、电子设备和电池扔进家庭垃圾中！

11 RoHS (有害物质限制)

单击链接跳转到有害物质表：qr.hilti.com/r4902202。
文档末尾以二维码形式提供指向 RoHS 表的链接。

12 制造商保修

- ▶ 如对保修条件有任何疑问，请联系您当地的 **Hilti** 代表。





<http://qr.hilti.com/r4902202>

en Declaration of conformity**Declaration of conformity**

The manufacturer declares, on his sole responsibility, that the product described here complies with the applicable legislation and standards.

The technical documentation is filed here:

Hilti Entwicklungsgesellschaft mbH | Tool Certification | Hiltistrasse 6 | D-86916 Kaufering, Germany

Product information

Combihammer	TE 50-AVR
Generation	03
Serial no.	1-9999999999



بيان المطابقة

تعلن الجهة الصانعة على مسؤوليتها وحدها بأن المنتج المشروح هنا يتوافق مع التشريعات والمعايير المعمول بها.

المستندات الفنية محفوظة هنا:

Hilti Entwicklungsgesellschaft mbH | Zulassung Geräte | Hiltistraße 6 | 86916 Kaufering, DE

بيانات المنتج

TE 50-AVR	المطرقة متعددة الأغراض
03	الجيل
99999999999-1	الرقم المسلسل



ja 適合宣言**適合宣言**

製造者は、単独の責任において本書で説明している製品が有効な法規と有効な標準規格に適合していることを宣言します。

技術資料は本書の後続の頁に記載されています：

Hilti Entwicklungsgesellschaft mbH | Zulassung Geräte | Hiltistraße 6 | 86916 Kaufering, DE

製品データ

コンビハンマードリル	TE 50-AVR
製品世代	03
製造番号。	1-99999999999

ko 적합성 선언**적합성 선언**

본 제조사는 단독 책임 하에 여기에 기술된 제품이 통용되는 법 규정 및 규범과 일치함을 밝힙니다.

기술 문서는 이곳에 기술되어 있습니다.

Hilti Entwicklungsgesellschaft mbH | Zulassung Geräte | Hiltistraße 6 | 86916 Kaufering, DE

제품 제원

콤비 해머	TE 50-AVR
세대	03
일련 번호	1-99999999999

zh 符合聲明**符合聲明**

基於製造商唯一的責任，本公司在此聲明本產品符合適用法規及標準。

技術文件已歸檔：

Hilti Entwicklungsgesellschaft mbH | Tool Certification | Hiltistrasse 6 | D-86916 Kaufering, Germany

產品資訊

鑽鑿兩用電鏈鑽	TE 50-AVR
產品代別	03
序號	1-99999999999

cn 符合性声明**符合性声明**

制造商全权负责声明，此处所述及的产品符合现行法规和标准。

技术文档在此处归档：

Hilti Entwicklungsgesellschaft mbH | Tool Certification | Hiltistrasse 6 | 86916 Kaufering, Germany

产品信息

组合锤	TE 50-AVR
代次	03
序列号	1-99999999999





Hilti Corporation
 Feldkircherstraße 100
 9494 Schaan | Liechtenstein
TE 50-AVR (03)

2006/42/EC
 2014/30/EU
 2011/65/EU

EN 62841-1:2015, AC:2015,
 A11:2022
 EN IEC 55014-1:2021
 EN IEC 61000-3-2:2019, A1:2021

EN IEC 62841-2-6:2020/A11:2020
 EN IEC 55014-2:2021
 EN 61000-3-3:2013, A1:2019,
 A2:2021, A2:2021/AC:2022

Schaan, 29.03.2024

Dr. Tahar Zrilli
 Head of Quality and Process Management
 Business Area Electric Tools & Accessories

Edward-Louis Przybylowicz
 Head of BU Power Tool & Accessories
 Business Area Electric Tools & Accessories

UK
 CA

en UK Declaration of Conformity

Declaration of conformity

The manufacturer declares, on his sole responsibility, that the product described here complies with the applicable legislation and standards.

The technical documentation is filed here:

Hilti Entwicklungsgesellschaft mbH | Tool Certification | Hiltistrasse 6 | D-86916 Kaufering, Germany

Product information

Combihammer	TE 50-AVR
Generation	03
Serial no.	1-99999999999



**Manufacturer:****Hilti Corporation**

Feldkircherstraße 100
9494 Schaan | Liechtenstein

TE 50-AVR (03)

Supply of Machinery (Safety) Regulations
2008

Electromagnetic Compatibility Regulations
2016

The Restriction of the Use of Certain
Hazardous Substances in Electrical and
Electronic Equipment Regulations 2012

UK Importer:**Hilti (Gt. Britain) Limited**

No. 1 Circle Square, 3 Symphony Park
Manchester, England, M1 7FS



EN 62841-1:2015, AC:2015,
A11:2022

EN IEC 55014-1:2021

EN IEC 61000-3-2:2019, A1:2021

EN IEC 62841-2-6:2020/A11:2020

EN IEC 55014-2:2021

EN 61000-3-3:2013, A1:2019,

A2:2021, A2:2021/AC:2022

Schaan, 29.03.2024

Dr. Tahar Zrilli

Head of Quality and Process Management
Business Area Electric Tools & Accessories

Edward-Louis Przybyłowicz

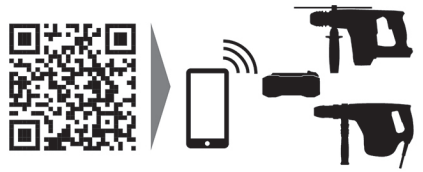
Head of BU Power Tool & Accessories
Business Area Electric Tools & Accessories







Hilti Corporation
LI-9494 Schaan
Tel.:+423 234 21 11
Fax:+423 234 29 65
www.hilti.group



2133068