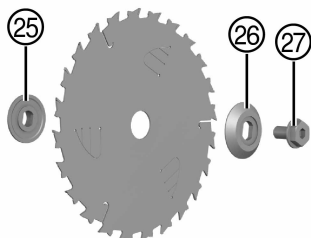
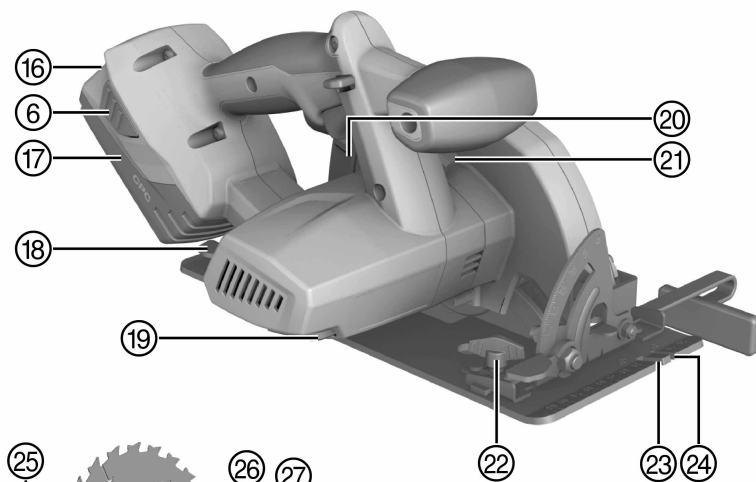
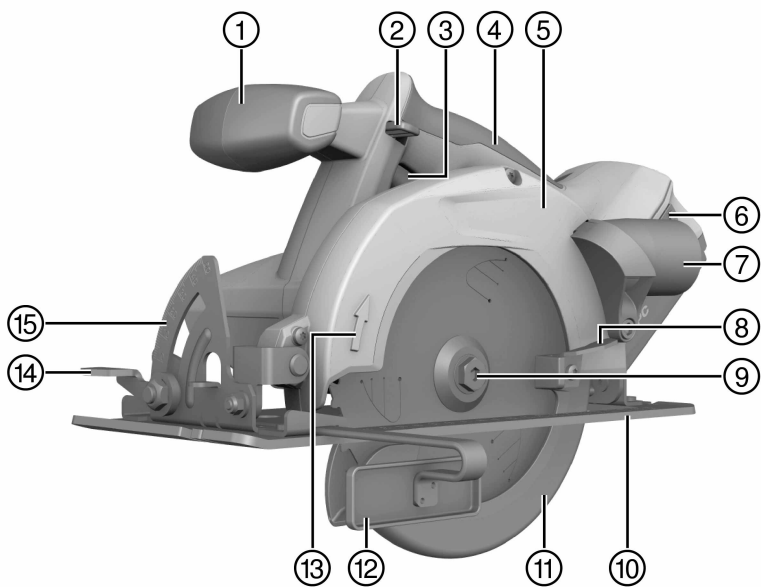
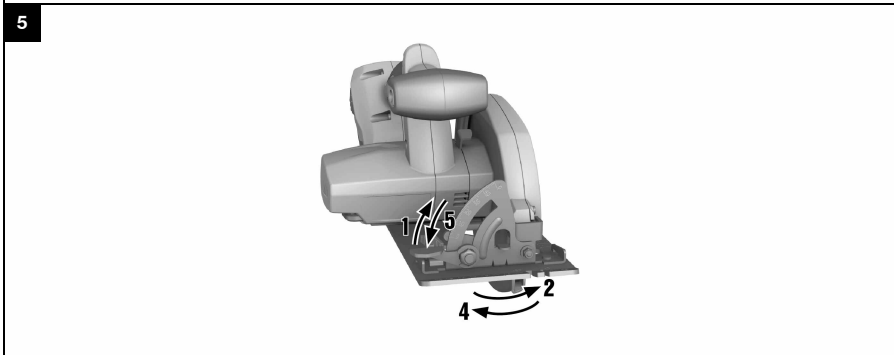
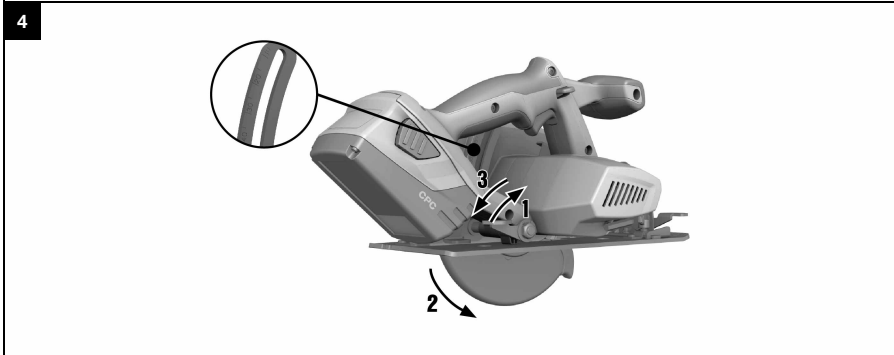
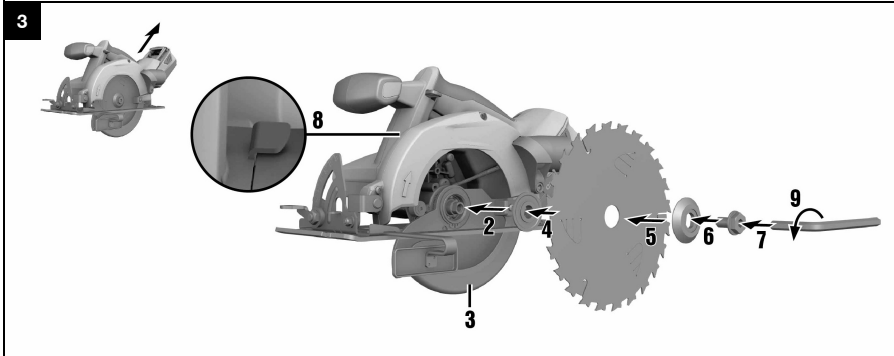
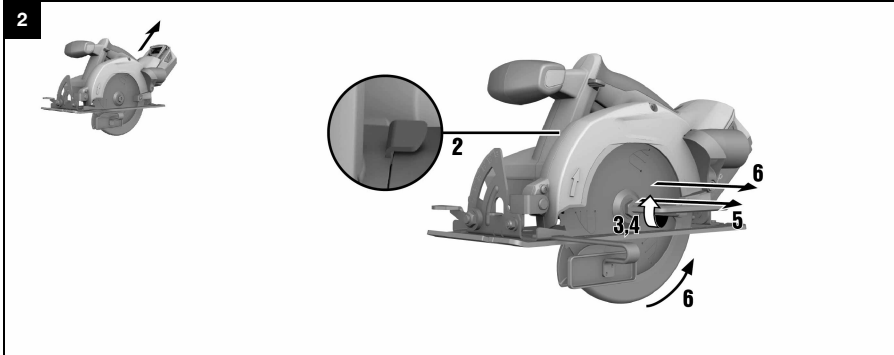




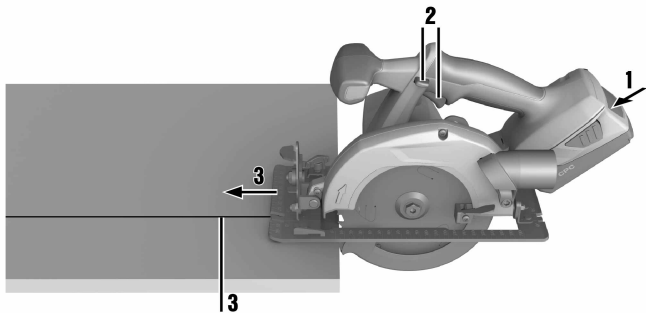
# SCW 22-A

English	1
Français	15
Español	30

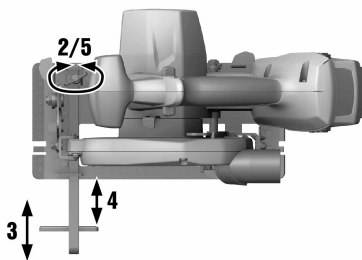




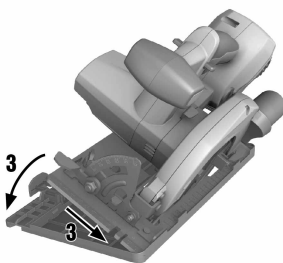
6



7



8



# SCW 22-A

en	Original operating instructions . . . . .	1
fr	Mode d'emploi original . . . . .	15
es	Manual de instrucciones original . . . . .	30



# 1 Information about the documentation

## 1.1 About this documentation

- Read this documentation before initial operation or use. This is a prerequisite for safe, trouble-free handling and use of the product.
- Observe the safety instructions and warnings in this documentation and on the product.
- Always keep the operating instructions with the product and make sure that the operating instructions are with the product when it is given to other persons.

## 1.2 Explanation of symbols used

### 1.2.1 Warnings

Warnings alert persons to hazards that occur when handling or using the product. The following signal words are used:



**DANGER !**

- ▶ Draws attention to imminent danger that will lead to serious personal injury or fatality.



**WARNING !**

- ▶ Draws attention to a potential threat of danger that can lead to serious injury or fatality.



**CAUTION !**

- ▶ Draws attention to a potentially dangerous situation that could lead to slight personal injury or damage to the equipment or other property.

### 1.2.2 Symbols in the documentation

The following symbols are used in this document:

	Read the operating instructions before use.
	Instructions for use and other useful information
	Dealing with recyclable materials
	Do not dispose of electric equipment and batteries as household waste

### 1.2.3 Symbols in the illustrations

The following symbols are used in illustrations:

	These numbers refer to the corresponding illustrations found at the beginning of these operating instructions
3	The numbering reflects the sequence of operations shown in the illustrations and may deviate from the steps described in the text
	Item reference numbers are used in the <b>overview illustrations</b> and refer to the numbers used in the <b>product overview section</b>
	This symbol is intended to draw special attention to certain points when handling the product.

## 1.3 Product-dependent symbols

### 1.3.1 Symbols

The following symbols can be used on the product:



$n_0$	Rated speed under no load
	Direct current (DC)
RPM	Revolutions per minute
$\varnothing$	Diameter
	Saw blade
	Wireless data transfer
Li-ion	Li-ion battery
	<b>Hilti Li-ion battery type series used. Observe the information given in the section headed <b>Intended use</b>.</b>

## 1.4 Product information

products are designed for professional users and only trained, authorized personnel are permitted to operate, service and maintain the products. This personnel must be specifically informed about the possible hazards. The product and its ancillary equipment can present hazards if used incorrectly by untrained personnel or if used not in accordance with the intended use.

The type designation and serial number are printed on the rating plate.

- ▶ Write down the serial number in the table below. You will be required to state the product details when contacting Hilti Service or your local Hilti organization to inquire about the product.

### Product information

Circular saw	SCW 22-A
Generation	01
Serial no.	

## 1.5 Declaration of conformity

We declare, on our sole responsibility, that the product described here complies with the applicable directives and standards. A copy of the declaration issued by the certification department can be found at the end of this documentation.

The technical documentation is filed here:

Hilti Entwicklungsgesellschaft mbH | Tool Certification | Hiltistrasse 6 | 86916 Kaufering, Germany

## 2 Safety

### 2.1 General power tool safety warnings

**⚠ WARNING Read all safety warnings, instructions, illustrations and specifications provided with this power tool.** Failure to follow all instructions listed below may result in electric shock, fire and/or serious injury. **Save all warnings and instructions for future reference.**

The term "power tool" in the warnings refers to your mains-operated (corded) power tool or battery-operated (cordless) power tool.

#### Work area safety

- ▶ **Keep work area clean and well lit.** Cluttered or dark areas invite accidents.
- ▶ **Do not operate power tools in explosive atmospheres, such as in the presence of flammable liquids, gases or dust.** Power tools create sparks which may ignite the dust or fumes.
- ▶ **Keep children and bystanders away while operating a power tool.** Distractions can cause you to lose control.

#### Electrical safety

- ▶ **Power tool plugs must match the outlet. Never modify the plug in any way. Do not use any adapter plugs with earthed (grounded) power tools.** Unmodified plugs and matching outlets will reduce risk of electric shock.





- ▶ **Avoid body contact with earthed or grounded surfaces, such as pipes, radiators, ranges and refrigerators.** There is an increased risk of electric shock if your body is earthed or grounded.
- ▶ **Do not expose power tools to rain or wet conditions.** Water entering a power tool will increase the risk of electric shock.
- ▶ **Do not abuse the cord. Never use the cord for carrying, pulling or unplugging the power tool. Keep cord away from heat, oil, sharp edges or moving parts.** Damaged or entangled cords increase the risk of electric shock.
- ▶ **When operating a power tool outdoors, use an extension cord suitable for outdoor use.** Use of a cord suitable for outdoor use reduces the risk of electric shock.
- ▶ **If operating a power tool in a damp location is unavoidable, use a residual current device (RCD) protected supply.** Use of an RCD reduces the risk of electric shock.

#### Personal safety

- ▶ **Stay alert, watch what you are doing and use common sense when operating a power tool. Do not use a power tool while you are tired or under the influence of drugs, alcohol or medication.** A moment of inattention while operating power tools may result in serious personal injury.
- ▶ **Use personal protective equipment. Always wear eye protection.** Protective equipment such as a dust mask, non-skid safety shoes, hard hat or hearing protection used for appropriate conditions will reduce personal injuries.
- ▶ **Prevent unintentional starting. Ensure the switch is in the off-position before connecting to power source and/or battery pack, picking up or carrying the tool.** Carrying power tools with your finger on the switch or energising power tools that have the switch on invites accidents.
- ▶ **Remove any adjusting key or wrench before turning the power tool on.** A wrench or a key left attached to a rotating part of the power tool may result in personal injury.
- ▶ **Do not overreach. Keep proper footing and balance at all times.** This enables better control of the power tool in unexpected situations.
- ▶ **Dress properly. Do not wear loose clothing or jewellery. Keep your hair and clothing away from moving parts.** Loose clothes, jewellery or long hair can be caught in moving parts.
- ▶ **If devices are provided for the connection of dust extraction and collection facilities, ensure these are connected and properly used.** Use of dust collection can reduce dust-related hazards.
- ▶ **Do not let familiarity gained from frequent use of tools allow you to become complacent and ignore tool safety principles.** A careless action can cause severe injury within a fraction of a second.

#### Power tool use and care

- ▶ **Do not force the power tool. Use the correct power tool for your application.** The correct power tool will do the job better and safer at the rate for which it was designed.
- ▶ **Do not use the power tool if the switch does not turn it on and off.** Any power tool that cannot be controlled with the switch is dangerous and must be repaired.
- ▶ **Disconnect the plug from the power source and/or remove the battery pack, if detachable, from the power tool before making any adjustments, changing accessories, or storing power tools.** Such preventive safety measures reduce the risk of starting the power tool accidentally.
- ▶ **Store idle power tools out of the reach of children and do not allow persons unfamiliar with the power tool or these instructions to operate the power tool.** Power tools are dangerous in the hands of untrained users.
- ▶ **Maintain power tools and accessories. Check for misalignment or binding of moving parts, breakage of parts and any other condition that may affect the power tool's operation. If damaged, have the power tool repaired before use.** Many accidents are caused by poorly maintained power tools.
- ▶ **Keep cutting tools sharp and clean.** Properly maintained cutting tools with sharp cutting edges are less likely to bind and are easier to control.
- ▶ **Use the power tool, accessories and tool bits etc. in accordance with these instructions, taking into account the working conditions and the work to be performed.** Use of the power tool for operations different from those intended could result in a hazardous situation.
- ▶ **Keep handles and grasping surfaces dry, clean and free from oil and grease.** Slippery handles and grasping surfaces do not allow for safe handling and control of the tool in unexpected situations.

#### Battery tool use and care

- ▶ **Recharge only with the charger specified by the manufacturer.** A charger that is suitable for one type of battery pack may create a risk of fire when used with another battery pack.
- ▶ **Use power tools only with specifically designated battery packs.** Use of any other battery packs may create a risk of injury and fire.



- ▶ **When battery pack is not in use, keep it away from other metal objects, like paper clips, coins, keys, nails, screws or other small metal objects, that can make a connection from one terminal to another.** Shorting the battery terminals together may cause burns or a fire.
- ▶ **Under abusive conditions, liquid may be ejected from the battery; avoid contact. If contact accidentally occurs, flush with water. If liquid contacts eyes, additionally seek medical help.** Liquid ejected from the battery may cause irritation or burns.
- ▶ **Do not use a battery pack or tool that is damaged or modified.** Damaged or modified batteries may exhibit unpredictable behaviour resulting in fire, explosion or risk of injury.
- ▶ **Do not expose a battery pack or tool to fire or excessive temperature.** Exposure to fire or temperature above 130° C (265 °F) may cause explosion.
- ▶ **Follow all charging instructions and do not charge the battery pack or tool outside the temperature range specified in the instructions.** Charging improperly or at temperatures outside the specified range may damage the battery and increase the risk of fire.

#### Service

- ▶ **Have your power tool serviced by a qualified repair person using only identical replacement parts.** This will ensure that the safety of the power tool is maintained.
- ▶ **Never service damaged battery packs.** Service of battery packs should only be performed by the manufacturer or authorized service providers.

## 2.2 Safety instructions for all saws

### Cutting procedures

- ▶ **⚠ DANGER: Keep hands away from cutting area and the blade. Keep your second hand on auxiliary handle or motor housing.** If both hands are holding the saw, they cannot be cut by the blade.
- ▶ **Do not reach underneath the workpiece.** The guard cannot protect you from the blade below the workpiece.
- ▶ **Adjust the cutting depth to the thickness of the workpiece.** Less than a full tooth of the blade teeth should be visible below the workpiece.
- ▶ **Never hold the workpiece in your hands or across your leg while cutting. Secure the workpiece to a stable platform.** It is important to support the work properly to minimise body exposure, blade binding, or loss of control.
- ▶ **Hold the power tool by insulated gripping surfaces, when performing an operation where the cutting tool may contact hidden wiring.** Contact with a "live" wire will also make exposed metal parts of the power tool "live" and could give the operator an electric shock.
- ▶ **When ripping, always use a rip fence or straight edge guide.** This improves the accuracy of cut and reduces the chance of blade binding.
- ▶ **Always use blades with correct size and shape (diamond versus round) of arbour holes.** Blades that do not match the mounting hardware of the saw will run off-centre, causing loss of control.
- ▶ **Never use damaged or incorrect blade washers or bolt.** The blade washers and bolt were specially designed for your saw, for optimum performance and safety of operation.

### Kickback causes and related warnings

- kickback is a sudden reaction to a pinched, jammed or misaligned saw blade, causing an uncontrolled saw to lift up and out of the workpiece toward the operator;
- when the blade is pinched or jammed tightly by the kerf closing down, the blade stalls and the motor reaction drives the unit rapidly back toward the operator;
- if the blade becomes twisted or misaligned in the cut, the teeth at the back edge of the blade can dig into the top surface of the wood causing the blade to climb out of the kerf and jump back toward the operator.

Kickback is the result of saw misuse and/or incorrect operating procedures or conditions and can be avoided by taking proper precautions as given below.

- ▶ **Maintain a firm grip with both hands on the saw and position your arms to resist kickback forces. Position your body to either side of the blade, but not in line with the blade.** Kickback could cause the saw to jump backwards, but kickback forces can be controlled by the operator, if proper precautions are taken.
- ▶ **When blade is binding, or when interrupting a cut for any reason, release the trigger and hold the saw motionless in the material until the blade comes to a complete stop. Never attempt to remove the saw from the work or pull the saw backward while the blade is in motion or kickback may occur.** Investigate and take corrective actions to eliminate the cause of blade binding.



- ▶ **When restarting a saw in the workpiece, centre the saw blade in the kerf so that the saw teeth are not engaged into the material.** If a saw blade binds, it may walk up or kickback from the workpiece as the saw is restarted.
- ▶ **Support large panels to minimise the risk of blade pinching and kickback.** Large panels tend to sag under their own weight. Supports must be placed under the panel on both sides, near the line of cut and near the edge of the panel.
- ▶ **Do not use dull or damaged blades.** Unsharpened or improperly set blades produce narrow kerf causing excessive friction, blade binding and kickback.
- ▶ **Blade depth and bevel adjusting locking levers must be tight and secure before making the cut.** If blade adjustment shifts while cutting, it may cause binding and kickback.
- ▶ **Use extra caution when sawing into existing walls or other blind areas.** The protruding blade may cut objects that can cause kickback.

#### Lower guard function

- ▶ **Check the lower guard for proper closing before each use. Do not operate the saw if the lower guard does not move freely and close instantly. Never clamp or tie the lower guard into the open position.** If the saw is accidentally dropped, the lower guard may be bent. Raise the lower guard with the retracting handle and make sure it moves freely and does not touch the blade or any other part, in all angles and depths of cut.
- ▶ **Check the operation of the guard return spring. If the guard and the spring are not operating properly, they must be serviced before use.** Lower guard may operate sluggishly due to damaged parts, gummy deposits, or a build-up of debris.
- ▶ **The lower guard may be retracted manually only for special cuts such as "plunge cuts" and "compound cuts". Raise the lower guard by the retracting handle and as soon as the blade enters the material, the lower guard must be released.** For all other sawing, the lower guard should operate automatically.
- ▶ **Always observe that the lower guard is covering the blade before placing the saw down on bench or floor.** An unprotected, coasting blade will cause the saw to walk backwards, cutting whatever is in its path. Be aware of the time it takes for the blade to stop after switch is released.

### 2.3 Additional safety instructions

#### Personal safety

- ▶ **Modification of the power tool is not permitted.**
- ▶ **Always hold the machine with both hands on the grips provided. Keep the grips dry, clean and free from oil and grease.**
- ▶ **Wear ear protectors.** Exposure to noise can cause hearing loss.
- ▶ **Respiratory protection must be worn if the power tool is used without a dust removal system for work that creates dust.**
- ▶ **Operate the tool only together with the safety devices that belong to it.**
- ▶ **Improve the blood circulation in your fingers by relaxing your hands and exercising your fingers during breaks between working.**
- ▶ **The power tool is not intended for use by inexperienced persons who have received no special training.**
- ▶ **Keep the power tool out of reach of children.**
- ▶ **Do not switch the product on before it is at the workplace.**
- ▶ **Remove the battery before storing or transporting the power tool.**
- ▶ **Do not work overhead with the product.**
- ▶ **Do not attempt to brake the product by applying lateral pressure to the saw blade.**
- ▶ **The kerf must be free of obstructions. Do not saw into screws and nails etc.**
- ▶ **Do not touch the clamping flange or the clamping screw while the power tool is running.**
- ▶ **Never press the drive spindle lock button while the saw blade is rotating.**
- ▶ **Never direct the power tool toward persons.**
- ▶ **Adjust the pressure applied to the saw blade and the material being cut so that the blade does not stall, possibly causing kickback.**
- ▶ **Avoid overheating the tips of the saw blade teeth.**
- ▶ **When cutting plastic, melting of the plastic should be avoided.**
- ▶ **Dust from materials, such as paint containing lead, some wood species, concrete / masonry / stone containing silica, and minerals as well as metal, may be harmful. Contact with or inhalation of the dust may cause allergic reactions and/or respiratory or other diseases to the operator or bystanders. Certain kinds of dust are classified as carcinogenic such as oak and beech dust, especially in conjunction with**



additives for wood conditioning (chromate, wood preservative). Material containing asbestos may be handled only by specialists. **Use a dust removal system whenever possible. To achieve a high level of dust collection, use a suitable vacuum cleaner. When indicated, wear a respirator appropriate for the type of dust generated. Ensure that the workplace is well ventilated. Follow national requirements for the materials you want to work with.**

- ▶ **Before beginning the work, check the hazard classification of the dust that will be produced. Use an industrial vacuum cleaner with an officially approved protection classification in compliance with locally applicable dust protection regulations.**
- ▶ **Observe the national health and safety requirements.**

#### Electrical safety

- ▶ **Before beginning work, check the working area (e.g. using a metal detector) to ensure that no concealed electric cables or gas and water pipes are present.** External metal parts of the power tool may become live, for example, when an electric cable is damaged accidentally. This presents a serious risk of electric shock.

#### Careful handling and use of batteries

- ▶ **Observe the special guidelines applicable to the transport, storage and use of lithium-ion batteries.**
- ▶ **Do not expose batteries to high temperatures and keep them away from fire.** There is a risk of explosion.
- ▶ **Do not disassemble, crush or incinerate batteries and do not subject them to temperatures over 80°C (176°F).** This presents a risk of fire, explosion or injury through contact with caustic substances.
- ▶ **Never continue to use or attempt to charge damaged batteries, e.g. batteries with cracks, broken parts, bent or pushed-in / pulled-out contacts).**
- ▶ **Do not use the battery as a power source for other unspecified power tools or appliances.**
- ▶ If the battery is too hot to touch it may be defective. **In this case, place the power tool in a non-flammable location, well away from flammable materials, where the battery can be kept under observation and allowed to cool down. Contact Hilti Service after the battery has cooled down.**

### 2.4 Additional safety instructions for circular saws

- ▶ Bring the saw blade into contact with the workpiece only when the circular saw is switched on.
  - ↳ The path of the saw must be free of obstructions above and below the workpiece. Do not saw into screws, nails or similar objects.
- ▶ Never work overhead with a circular saw.
- ▶ Never attempt to brake the saw blade by applying lateral pressure.
- ▶ Avoid overheating the tips of the saw blade teeth.
- ▶ Always use a saw blade that is suitable for the material you are going to saw.

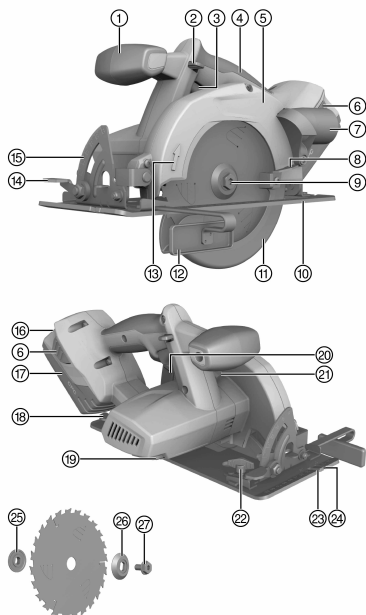
### 2.5 Battery use and care

- ▶ Observe the special regulations and instructions applicable to the transport, storage and use of Li-ion batteries.
- ▶ Do not expose batteries to high temperatures, direct sunlight or fire.
- ▶ Do not disassemble, crush or incinerate batteries and do not subject them to temperatures over 80 °C.
- ▶ Do not use or charge batteries that have suffered mechanical impact, have been dropped from a height or show signs of damage. In this case, always contact your **Hilti Service**.
- ▶ If the battery is too hot to touch it may be defective. In this case, place the product in a non-flammable location, well away from flammable materials, where it can be kept under observation and allowed to cool down. In this case, always contact your **Hilti Service**.



### 3 Description

#### 3.1 Overview of the product



- ① Auxiliary grip
- ② Switch-on interlock
- ③ On/off switch
- ④ Grip
- ⑤ Guard
- ⑥ Release buttons with additional function (charge status display activation)
- ⑦ Hose connector (chip deflector)
- ⑧ Pivoting guard operating lever
- ⑨ Arbor
- ⑩ Base plate
- ⑪ Pivoting guard
- ⑫ Fence
- ⑬ Direction-of-rotation arrow
- ⑭ Clamping lever for cutting angle adjustment
- ⑮ Cutting angle scale
- ⑯ Charge state and fault display
- ⑰ Battery
- ⑱ Clamping lever for cutting depth adjustment
- ⑲ Hex key
- ⑳ Cutting depth scale
- ㉑ Spindle lock button
- ㉒ Clamping screw for fence
- ㉓ 45° cutting line indicator
- ㉔ 0° cutting line indicator
- ㉕ Mounting flange
- ㉖ Clamping flange
- ㉗ Clamping screw

#### 3.2 Intended use

The product described is a cordless circular saw. It is designed for sawing wood or wood-like materials, plastics, drywall panel, gypsum fiber board and composite materials.

The circular saw is equipped with a removable connector for an optional vacuum cleaner / dust removal hose. This connector is designed to fit standard suction hoses. In order to connect the vacuum cleaner hose to the saw, use of a suitable adapter may be necessary.

- ▶ The use of saw blades not in compliance with the given specification (e.g. diameter, speed of rotation, thickness) or the use of cutting and grinding discs or blades made from high-alloy steel (HSS steel) is not permissible. Sawing metals is not permissible.
- ▶ Do not use the product to cut tree branches or trunks.
- ▶ Use only **Hilti** Li-ion batteries from the B 18 / B 22 series with this product.
- ▶ Use only **Hilti** battery chargers of the C4/36 series with these batteries.

#### 3.3 Li-ion battery display

The charge status of the Li-ion battery and malfunctions of the power tool are indicated by the display on the Li-ion battery. The charge status of the Li-ion battery is displayed after pressing one of the two battery release buttons.

Status	Meaning
4 LEDs light.	Charge status: 75 % to 100 %
3 LEDs light.	Charge status: 50 % to 75 %
2 LEDs light.	Charge status: 25 % to 50 %



Status	Meaning
1 LED lights.	Charge status: 10 % to 25 %
1 LED blinks, the power tool is ready for use.	Charge status: < 10 %
1 LED blinks, the power tool is not ready for use.	The battery has overheated or is completely discharged.
4 LEDs blink, the power tool is not ready for use.	The power tool is overloaded or has overheated.

Battery charge status cannot be displayed while the control switch is pressed and for up to 5 seconds after releasing the control switch.  
If the battery display LEDs blink, please observe the instructions given in the Troubleshooting section.

### 3.4 Fence

Use of the single arm fence allows precise cuts to be made along the edge of the workpiece, or strips of even width to be cut.

The fence can be fitted on either side of the base plate.

### 3.5 Items supplied

Circular saw, saw blade, hex key, fence, vacuum cleaner hose connector, operating instructions.

Spare parts, consumables and accessories approved by Hilti for use with the product can be found at your local **Hilti Store** or online at: [www.hilti.group](http://www.hilti.group) | USA: [www.hilti.com](http://www.hilti.com)

### 3.6 Accessories

Clamping flange, mounting flange, clamping screw.

## 4 Technical data

### 4.1 Circular saw

	SCW 22-A
Rated voltage	21.6 V
Weight	9.0 lb (4.1 kg)
Specified blade diameter	6.3 in ... 6.5 in (160 mm ... 165 mm)
Blade disc thickness	0.02 in ... 0.06 in (0.5 mm ... 1.5 mm)
Kerf width	0.06 in ... 0.1 in (1.5 mm ... 2 mm)
Saw blade arbor size	0.8 in (20 mm)
Rated speed under no load	4,000 /min
Maximum cutting depth	2.2 in (57 mm)
Bevel cutting angle	0° ... 50°
Operating temperature	1 °F ... 140 °F (-17 °C ... 60 °C)
Storage temperature range (without battery)	-4 °F ... 158 °F (-20 °C ... 70 °C)



## 4.2 Battery

<b>Battery operating voltage</b>	21.6 V
<b>Ambient temperature for operation</b>	1 °F ... 140 °F (-17 °C ... 60 °C)
<b>Storage temperature</b>	-4 °F ... 104 °F (-20 °C ... 40 °C)
<b>Battery charging starting temperature</b>	14 °F ... 113 °F (-10 °C ... 45 °C)

## 5 Operation

### 5.1 Preparations at the workplace

#### 5.1.1 Charging the battery

1. Before charging the battery, read the operating instructions for the charger.
2. Make sure that the contacts on the battery and the contacts on the charger are clean and dry.
3. Use an approved charger to charge the battery.

#### 5.1.2 Inserting the battery

##### CAUTION

##### **Risk of injury by short circuit or falling battery!**

- ▶ Before inserting the battery, make sure that the contacts on the battery and the contacts on the product are free of foreign matter.
- ▶ Make sure that the battery always engages correctly.

1. Charge the battery fully before using it for the first time.
2. Push the battery into the battery holder until it engages with an audible click.
3. Check that the battery is seated securely.

#### 5.1.3 Removing the battery

1. Press the release buttons on the battery.
2. Pull the battery out of its holder in the device.

#### 5.1.4 Removing the saw blade

##### WARNING

**Risk of burning injury.** A hot accessory tool, clamping flange or clamping screw and the sharp edges of the saw blade present hazards.

- ▶ Wear protective gloves when changing saw blades.

1. Pull the battery out of the product to the rear.
2. Insert the hex key into the saw blade clamping screw.
3. Press the spindle lock button and hold it in this position.
4. Turn the saw blade clamping screw with the hex key until the spindle lock button engages fully.
5. Release the clamping screw by turning the hex key in the direction of the direction-of-rotation arrow.
6. Remove the clamping screw from the outer clamping flange.
7. Open the pivoting guard by swinging it to the side and then remove the saw blade.



If necessary, the mounting flange can be removed for cleaning.



### 5.1.5 Fitting the saw blade



#### CAUTION

**Risk of damage!** Unsuitable or incorrectly fitted saw blades may damage the saw.

- ▶ Only use blades which are suitable for this saw. Observe the direction-of-rotation arrow on the saw blade.
- ▶ Use only saw blades equipped with a rated maximum permissible speed that is at least as high as the maximum speed stated on the product.



**Check that the blade to be fitted complies with the technical requirements and that it is well sharpened.** A sharp saw blade is an essential requirement for a perfect cut.

1. Pull the battery out of the product to the rear.
2. Clean the mounting flange and the clamping flange.
3. Fit the mounting flange onto the drive spindle the right way round.
4. Open the pivoting guard.
5. Fit the new saw blade.
6. Fit the outer clamping flange the right way round.
7. Insert the hex key into the saw blade clamping screw.
8. Press the drive spindle lock button.
9. Secure the clamping flange with the clamping screw by turning the hex key in the direction opposite to the direction-of-rotation arrow.
  - ↳ The spindle lock button engages.
10. Before using the power tool, check that the saw blade is correctly seated and tightened securely.

### 5.1.6 Adjusting the cutting depth

1. Pull the battery out of the product to the rear.
2. Release the cutting depth adjustment clamping lever.
3. Lift the product in a scissor movement and set the desired cutting depth by closing the clamping lever.



The cutting depth should always be set to a depth approx. 5 to 10 mm greater than the thickness of the material to be cut.

### 5.1.7 Setting the cutting angle

1. Pull the battery out of the product to the rear.
2. Release the cutting angle adjustment clamping lever.
3. Pivot the product into the desired position.
4. Tighten the cutting angle adjustment clamping lever.

### 5.1.8 Sawing along a line



Secure the workpiece to prevent movement.

Position the workpiece so that the saw blade is free to rotate beneath it.

Check to ensure that the on/off switch on the product is in the "off" position.

Position the forward section of the saw's base plate on the workpiece but do not bring the blade into contact with the workpiece.

1. Fit the battery into the product.
2. Press and hold down the switch-on interlock and switch the product on by pressing the on/off button.
3. Guide the product along the cutting line on the workpiece at a suitable speed.

### 5.1.9 Installing / adjusting the fence

1. Pull the battery out of the product to the rear.
2. Screw the clamping screw into the base plate, leaving enough space to slide the fence through.
3. Slide the fence guide under the clamping screw.
4. Set the desired cutting width.
5. Tighten the clamping screw.





### 5.1.10 Fitting the guide rail adapter



The saw can be equipped with a guide rail adapter which is available as an accessory.

1. Remove the battery.
2. Remove the fence, if one is fitted.
3. Fit the base plate into the side retaining channels of the guide rail adapter.
4. Fully insert the base plate into the guide rail adapter.
5. Lock the guide rail adapter by pressing in the two sliders as far as they will go.

## 5.2 Work

### 5.2.1 Switching on

- ▶ Press and hold down the switch-on interlock and switch the product on by pressing the on/off button.

### 5.2.2 Switching off

- ▶ Release the on/off switch to stop the machine.

### 5.2.3 Longitudinal cuts at 0°

1. Place the saw on the guide rail so that the rib fits into the groove in the adapter.
2. Switch the product on. → page 11
3. Guide the product along the rail and through the workpiece at a suitable speed.

### 5.2.4 Longitudinal cuts at angles up to 50°

1. Set the angle.
2. Switch the product on. → page 11
3. Guide the saw along the guide rail with the outer edge of the guide rail adapter on the rib on the guide rail. The saw blade will otherwise collide with the guide rail.

### 5.2.5 Making cuts at an angle across the surface of the workpiece

1. Position the guide rail with the zero mark at the edge of the workpiece and then pivot the rail until the desired angle shown on the angle scale is opposite the zero mark. The cutting angle indicated is the angle of deviation from a straight, right-angled cut.
2. Secure the guide rail with the two screw clamps.
3. Switch the product on. → page 11
4. Guide the product along the rail and through the workpiece at a suitable speed.

### 5.2.6 Using the saw without a dust and chip removal system

1. Check that the sawdust is ejected without obstruction.
2. If required, the hose connector can be removed from the blade guard by slackening the hex socket screw with the hex key supplied with the product.

## 5.3 Procedure if the chip / dust channel is blocked

1. Pull the battery out of the product to the rear.
2. Clean the chip / dust channel.



Remove the saw blade if necessary.

3. Check for misalignment or binding of moving parts, breakage of parts and any other condition that may affect operation of the product.

## 6 Care and maintenance



### WARNING

**Risk of injury with battery inserted !**

- ▶ Always remove the battery before carrying out care and maintenance tasks!



**Care and maintenance of the tool**

- Carefully remove stubborn dirt.
- Clean the air vents carefully with a dry brush.
- Use only a slightly damp cloth to clean the casing. Do not use cleaning agents containing silicone as these can attack the plastic parts.

**Care of the Li-ion batteries**

- Keep the battery free from oil and grease.
- Use only a slightly damp cloth to clean the casing. Do not use cleaning agents containing silicone as these may attack the plastic parts.
- Avoid ingress of moisture.

**Maintenance**

- Check all visible parts and controls for signs of damage at regular intervals and make sure that they all function correctly.
- Do not operate the product if signs of damage are found or if parts malfunction. Have it repaired immediately by **Hilti Service**.
- After cleaning and maintenance, fit all guards or protective devices and check that they function correctly.



To help ensure safe and reliable operation, use only genuine Hilti spare parts and consumables. Spare parts, consumables and accessories approved by Hilti for use with the product can be found at your local **Hilti Store** or online at: [www.hilti.group](http://www.hilti.group).

**6.1 Cleaning the safety guard**

1. Remove the saw blade before cleaning the safety guard parts.
2. Clean the safety guard parts carefully with a dry brush.
3. Use a suitable tool to remove deposits or cuttings from the inside surfaces of the safety guard parts.
4. Fit the saw blade.

**6.2 Checks after cleaning and maintenance**

After cleaning or maintenance, check that all safety devices are fitted and that they function faultlessly.

- ▶ To check the pivoting guard, open the guard fully by moving the guard operating lever.
  - ↳ The pivoting guard must close quickly and completely when the guard operating lever is released.

**7 Transport and storage of cordless tools****Transport** **CAUTION****Accidental starting during transport !**

- ▶ Always transport your products with the batteries removed!
- ▶ Remove the battery.
- ▶ Never transport batteries in bulk form (loose, unprotected).
- ▶ Check the tool and batteries for damage before use after long periods of transport.

**Storage** **CAUTION****Accidental damage caused by defective or leaking batteries !**

- ▶ Always store your products with the batteries removed!
- ▶ Store the tool and batteries in a place that is as cool and dry as possible.
- ▶ Never store batteries in direct sunlight, on heating units or behind a window pane.
- ▶ Store the tool and batteries in a place where they cannot be accessed by children or unauthorized persons.
- ▶ Check the tool and batteries for damage before use after long periods of storage.



## 8 Troubleshooting

- ▶ If the trouble you are experiencing is not listed in this table or you are unable to remedy the problem by yourself, please contact **Hilti Service**.

### 8.1 The circular saw is not in working order.

Malfunction	Possible cause	Action to be taken
The LEDs indicate nothing.	The battery is not fully inserted.	▶ Insert the battery.
	The battery is discharged.	▶ Charge the battery.
	The battery is too hot or too cold.	▶ Bring the battery to the correct ambient temperature.
1 LED blinks.	The battery is discharged.	▶ Charge the battery.
	The battery is too hot or too cold.	▶ Bring the battery to the correct ambient temperature.
4 LEDs blink.	The circular saw was overloaded briefly.	▶ Release the control switch and then press it again.
	The overheating prevention cut-out has been activated.	▶ Allow the circular saw to cool down to cool down and clean the air vents.

### 8.2 The circular saw is in working order.

Trouble or fault	Possible cause	Action to be taken
The on/off button cannot be pressed, i.e. the button is locked.	Not a fault (safety function).	▶ Press the switch-on interlock.
Running speed suddenly drops considerably.	The battery is discharged.	▶ Charge the battery.
	Saw advance pressure is too high.	▶ Reduce advance pressure and switch the product back on.
The battery runs down more quickly than usual.	Battery condition is not optimal.	▶ Replace the battery.
The product doesn't restart by itself after the saw blade has stalled.	The overload cut-out has been activated.	▶ Press the switch-on interlock and the on/off button again.
The battery does not engage with an audible "double click".	The retaining lugs on the battery are dirty.	▶ Clean the retaining lugs and refit the battery.
The circular saw or battery gets very hot.	Electrical fault.	▶ Switch off the circular saw immediately. Remove the battery and keep it under observation. Allow the battery to cool down. Contact <b>Hilti service</b> .
	The product is overloaded (application limits exceeded).	▶ Select a tool that is suitable for its intended use.
No suction power or reduced suction power	The chip ejector channel is blocked.	▶ Clean the chip / dust channel. → page 11

## 9 Disposal

Most of the materials from which **Hilti** tools and appliances are manufactured can be recycled. The materials must be correctly separated before they can be recycled. In many countries, your old tools, machines or appliances can be returned to **Hilti** for recycling. Ask **Hilti Service** or your Hilti representative for further information.

### Battery disposal

Improper disposal of batteries can result in health hazards from leaking gases or fluids.



- ▶ DO NOT send batteries through the mail!
- ▶ Cover the terminals with a non-conductive material (such as electrical tape) to prevent short circuiting.
- ▶ Dispose of your battery out of the reach of children.
- ▶ Dispose of the battery at your **Hilti Store**, or consult your local governmental garbage disposal or public health and safety resources for disposal instructions.



- 
- ▶ Do not dispose of power tools, electronic equipment or batteries as household waste!
- 

## 10 Manufacturer's warranty

---

- ▶ Please contact your local **Hilti** representative if you have questions about the warranty conditions.



# 1 Indications relatives à la documentation

## 1.1 À propos de cette documentation

- Lire intégralement la présente documentation avant la mise en service. C'est la condition préalablement requise pour assurer la sécurité du travail et un maniement sans perturbations.
- Bien respecter les consignes de sécurité et les avertissements de la présente documentation ainsi que celles figurant sur le produit.
- Toujours conserver le mode d'emploi à proximité du produit et uniquement le transmettre à des tiers avec ce mode d'emploi.

## 1.2 Explication des symboles

### 1.2.1 Avertissements

Les avertissements attirent l'attention sur des dangers liés à l'utilisation du produit. Les termes de signalisation suivants sont utilisés :

#### DANGER

##### DANGER !

- ▶ Pour un danger imminent qui peut entraîner de graves blessures corporelles ou la mort.

#### AVERTISSEMENT

##### AVERTISSEMENT !

- ▶ Pour un danger potentiel qui peut entraîner de graves blessures corporelles ou la mort.

#### ATTENTION

##### ATTENTION !

- ▶ Pour attirer l'attention sur une situation pouvant présenter des dangers entraînant des blessures corporelles légères ou des dégâts matériels.

### 1.2.2 Symboles dans la documentation

Les symboles suivants sont utilisés dans la présente documentation :

	Lire le mode d'emploi avant d'utiliser l'appareil
	Pour des conseils d'utilisation et autres informations utiles
	Maniement des matériaux recyclables
	Ne pas jeter les appareils électriques et les accus dans les ordures ménagères

### 1.2.3 Symboles dans les illustrations

Les symboles suivants sont utilisés dans les illustrations :

	Ces chiffres renvoient à l'illustration correspondante au début du présent mode d'emploi
	La numérotation détermine la séquence des étapes de travail dans l'image et peut se différencier de celles des étapes de travail dans le texte
	Les numéros de position sont utilisés dans l'illustration <b>Vue d'ensemble</b> et renvoient aux numéros des légendes dans la section <b>Vue d'ensemble du produit</b>
	Ce signe doit inviter à manier le produit en faisant particulièrement attention.

## 1.3 Symboles spécifiques au produit

### 1.3.1 Symboles

Les symboles suivants peuvent être utilisés sur le produit :



$n_0$	Vitesse nominale à vide
	Courant continu
RPM	Tours par minute
$\varnothing$	Diamètre
	Lame de scie
	Transmission de données sans fil
Li-Ion	Accu lithium-ions
	Série de type d'accu Li-Ion <b>Hilti</b> utilisée. Observer les instructions au chapitre <b>Utilisation conforme à l'usage prévu</b> .

#### 1.4 Informations produit

Les produits sont destinés aux professionnels et ne doivent être utilisés, entretenus et réparés que par un personnel autorisé et formé. Ce personnel doit être spécialement instruit quant aux dangers inhérents à l'utilisation de l'appareil. Le produit et ses accessoires peuvent s'avérer dangereux s'ils sont utilisés de manière incorrecte par un personnel non qualifié ou de manière non conforme à l'usage prévu.

La désignation du modèle et le numéro de série figurent sur sa plaque signalétique.

- ▶ Inscrivez le numéro de série dans le tableau suivant. Les informations produit vous seront demandées lorsque vous contactez nos revendeurs ou services après-vente.

##### Caractéristiques produit

Scie circulaire	SCW 22-A
Génération	01
N° de série	

#### 1.5 Déclaration de conformité

Nous déclarons sous notre seule et unique responsabilité que le produit décrit ici est conforme aux directives et normes en vigueur. Une copie de l'attestation délivrée par l'organisme de certification se trouve en fin de la présente documentation.

Pour obtenir les documentations techniques, s'adresser à :

**Hilti** Entwicklungsgesellschaft mbH | Zulassung Geräte | Hiltistraße 6 | 86916 Kaufering, DE

## 2 Sécurité

### 2.1 Indications générales de sécurité pour les appareils électriques

**⚠ AVERTISSEMENT Lire toutes les consignes de sécurité et instructions, illustrations et caractéristiques techniques, qui accompagnent cet outil électroportatif.** Tout manquement à l'observation des instructions suivantes risque de provoquer une électrocution, un incendie et/ou de graves blessures.

**Les consignes de sécurité et instructions doivent être intégralement conservées pour les utilisations futures.**

La notion d'« outil électroportatif » mentionnée dans les consignes de sécurité se rapporte à des outils électriques raccordés au secteur (avec câble d'alimentation) et à des outils électriques sur accu (sans câble d'alimentation).

#### Sécurité sur le lieu de travail

- ▶ **Conserver la zone de travail propre et bien éclairée.** Un lieu de travail en désordre ou mal éclairé augmente le risque d'accidents.
- ▶ **Ne pas faire fonctionner les outils électriques en atmosphère explosive et où se trouvent des liquides, des gaz ou poussières inflammables.** Les outils électriques produisent des étincelles qui peuvent enflammer les poussières ou les fumées.



- ▶ **Maintenir les enfants et les personnes présentes à l'écart pendant l'utilisation de l'outil électroportatif.** En cas d'inattention il y a risque de perdre le contrôle de l'appareil.

### Sécurité relative au système électrique

- ▶ **La fiche de secteur de l'outil électroportatif doit être adaptée à la prise de courant. Ne jamais modifier la fiche de quelque façon que ce soit. Ne pas utiliser d'adaptateurs avec des outils électriques à branchement de terre.** Des fiches non modifiées et des prises de courant adaptées réduiront le risque de choc électrique.
- ▶ **Éviter le contact physique avec des surfaces mises à la terre tels que tuyaux, radiateurs, cuisinières et réfrigérateurs.** Il y a un risque élevé de choc électrique au cas où votre corps serait relié à la terre.
- ▶ **Ne pas exposer les outils électroportatifs à la pluie ou à l'humidité.** La pénétration d'eau à l'intérieur d'un outil électroportatif augmentera le risque d'un choc électrique.
- ▶ **Ne jamais utiliser le câble de raccordement à d'autres fins que celles prévues, telles que pour porter, accrocher ou débrancher l'outil électroportatif de la prise de courant. Maintenir le câble de raccordement à l'écart de la chaleur, des parties grasses, des bords tranchants ou des parties en mouvement.** Des câbles de raccordement endommagés ou emmêlés augmentent le risque de choc électrique.
- ▶ **Si l'outil électroportatif est utilisé à l'extérieur, utiliser uniquement des câbles de rallonge homologués pour les applications extérieures.** L'utilisation d'un câble de rallonge homologué pour les applications extérieures réduit le risque d'un choc électrique.
- ▶ **Si l'utilisation de l'outil électrique dans un environnement humide ne peut pas être évitée, utiliser un interrupteur de protection contre les courants de court-circuit.** L'utilisation d'un tel interrupteur de protection réduit le risque d'une décharge électrique.

### Sécurité des personnes

- ▶ **Rester vigilant, surveiller ce que l'on fait. Faire preuve de bon sens en utilisant l'outil électroportatif. Ne pas utiliser l'outil électroportatif en étant fatigué ou sous l'emprise de l'alcool, de drogues ou de médicaments.** Un moment d'inattention lors de l'utilisation de l'outil électroportatif peut entraîner des blessures graves.
- ▶ **Utiliser un équipement de protection personnel et toujours porter une protection pour les yeux.** Les équipements de protection personnels tels que masque antipoussière, chaussures de sécurité antidérapantes, casque de protection ou protection acoustique suivant l'utilisation de l'outil électroportatif, réduiront le risque de blessures des personnes.
- ▶ **Éviter une mise en service par mégarde. S'assurer que l'outil électroportatif est arrêté avant de le brancher à la source de courant et/ou à l'accu, de le prendre ou de le porter.** Le fait de porter l'outil électroportatif avec le doigt sur l'interrupteur ou de brancher l'appareil sur la source de courant lorsque l'interrupteur est en position de fonctionnement peut entraîner des accidents.
- ▶ **Retirer tout outil de réglage ou toute clé avant de mettre l'outil électroportatif en fonctionnement.** Une clé ou un outil se trouvant sur une partie en rotation peut causer des blessures.
- ▶ **Adopter une bonne posture. Veiller à toujours garder une position stable et équilibrée.** Cela permet un meilleur contrôle de l'outil électroportatif dans des situations inattendues.
- ▶ **S'habiller de manière adaptée. Ne pas porter de vêtements amples ni de bijoux. Garder les cheveux, les vêtements et les gants à distance des parties en mouvement.** Des vêtements amples, des bijoux ou des cheveux longs peuvent être happés par des parties en mouvement.
- ▶ **Si des dispositifs servant à aspirer ou à recueillir les poussières doivent être utilisés, s'assurer qu'ils sont effectivement raccordés et correctement utilisés.** L'utilisation d'un dispositif d'aspiration de la poussière peut réduire les risques dus aux poussières.
- ▶ **Ne pas sous-estimer les mesures de sécurité à prendre et ne pas ignorer sciemment les règles de sécurité applicables aux outils électriques, même si l'on est utilisateur chevronné après de fréquentes utilisations de l'outil électroportatif.** Un manque d'attention peut conduire à de graves blessures en quelques fractions de seconde.

### Utilisation et maniement de l'outil électroportatif

- ▶ **Ne pas forcer l'appareil. Utiliser l'outil électroportatif adapté au travail à effectuer.** Un outil électroportatif approprié réalisera mieux le travail et de manière plus sûre au régime pour lequel il a été conçu.
- ▶ **Ne pas utiliser d'outil électroportatif dont l'interrupteur est défectueux.** Tout outil électroportatif qui ne peut plus être mis en ou hors fonctionnement est dangereux et doit être réparé.
- ▶ **Débrancher la fiche de la prise de courant et/ou l'accu amovible avant d'effectuer des réglages sur l'appareil, de changer les accessoires, ou de ranger l'appareil.** Cette mesure de précaution empêche une mise en fonctionnement par mégarde de l'outil électroportatif.
- ▶ **Conserver les outils électroportatifs non utilisés hors de portée des enfants. Ne permettre l'utilisation de l'appareil à aucune personne qui ne soit pas familiarisée avec celui-ci ou qui n'a**



**pas lu ces instructions.** Les outils électroportatifs sont dangereux lorsqu'ils sont entre les mains de personnes non initiées.

- ▶ **Prendre soin des outils électroportatifs et des accessoires. Vérifier que les parties en mouvement fonctionnent correctement et qu'elles ne sont pas coincées, et contrôler si des parties sont cassées ou endommagées de sorte que le bon fonctionnement de l'outil électroportatif s'en trouve entravé. Faire réparer les parties endommagées avant d'utiliser l'appareil.** De nombreux accidents sont dus à des outils électroportatifs mal entretenus.
- ▶ **Garder les outils de coupe affûtés et propres.** Des outils destinés à couper correctement entretenus avec des arêtes de coupe tranchantes sont moins susceptibles de bloquer et sont plus faciles à contrôler.
- ▶ **L'outil électroportatif, les accessoires, les outils amovibles, etc. doivent être utilisés conformément à ces instructions. Tenir également compte des conditions de travail et du travail à réaliser.** L'utilisation des outils électroportatifs à d'autres fins que celles prévues peut entraîner des situations dangereuses.
- ▶ **Veiller à ce que les poignées et surfaces de préhension soient toujours être sèches, propres et exemptes de traces de graisse ou d'huile.** Avec des poignées et surfaces de préhension glissantes, la sécurité et le contrôle de l'outil électroportatif ne peuvent être assurés dans des situations inopinées.

#### Utilisation et maniement de l'outil sur accu

- ▶ **Ne charger les accus que dans des chargeurs recommandés par le fabricant.** Si un chargeur approprié à un type spécifique d'accus est utilisé avec des accus non recommandés pour celui-ci, il y a risque d'incendie.
- ▶ **Dans les outils électroportatifs, utiliser uniquement les accus spécialement prévus pour ceux-ci.** L'utilisation de tout autre accu peut entraîner des blessures et des risques d'incendie.
- ▶ **Tenir l'accu non utilisé à l'écart de tous objets métalliques tels qu'agrafes, pièces de monnaie, clés, clous, vis ou autres, étant donné qu'un pontage peut provoquer un court-circuit.** Un court-circuit entre les contacts d'accu peut provoquer des brûlures ou un incendie.
- ▶ **En cas d'utilisation abusive, du liquide peut sortir de l'accu. Éviter tout contact avec ce liquide. En cas de contact par mégarde, rincer soigneusement avec de l'eau. Au cas où le liquide rentrerait dans les yeux, consulter en plus un médecin.** Le liquide qui sort de l'accu peut entraîner des irritations de la peau ou causer des brûlures.
- ▶ **Ne pas utiliser d'accu endommagé ou modifié.** Des accus endommagés ou modifiés peuvent avoir un comportement imprévisible et provoquer un incendie, une explosion ou engendrer un risque de blessures.
- ▶ **Ne jamais exposer l'accu au feu ou à des températures trop élevées.** Le feu ou des températures supérieures à 130 °C (265 °F) peuvent provoquer une explosion.
- ▶ **Suivre toutes les instructions de charge et ne jamais charger l'accu ou l'outil sur accu hors de la plage de températures spécifiée dans le manuel d'utilisation.** Une charge inappropriée ou hors de la plage de températures spécifiée risque d'endommager l'accu et accroître le risque d'incendie.

#### Service

- ▶ **L'outil électroportatif doit uniquement être réparé par un personnel qualifié et seulement avec des pièces de recharge d'origine.** Ceci permet d'assurer la sécurité de l'appareil.
- ▶ **Ne jamais entretenir d'accus endommagés.** Toutes les opérations d'entretien sur des accus doivent exclusivement être réalisées par le fabricant ou un prestataire de service client agréé.

## 2.2 Instructions de sécurité pour toutes les scies

### Procédure de sciage

- ▶ **⚠ DANGER : ne pas approcher les mains de la zone de coupe et de la lame. Garder la deuxième main sur la poignée auxiliaire ou sur le boîtier du moteur.** Si les deux mains tiennent la scie, elles ne peuvent pas être coupées par la lame.
- ▶ **Ne pas passer les mains sous la pièce à travailler.** Le capot ne peut pas protéger l'opérateur de la lame sous la pièce à travailler.
- ▶ **Ajuster la profondeur de coupe à l'épaisseur de la pièce à travailler.** Il faut que moins de la totalité d'une dent soit visible sous la pièce à travailler.
- ▶ **Ne jamais tenir la pièce à travailler dans les mains ou sur les jambes. S'assurer que la pièce à travailler se trouve sur une plate-forme stable.** Il est important que la pièce à travailler soit soutenue convenablement afin de minimiser l'exposition du corps, le grippage de la lame et le risque de perte de maîtrise.
- ▶ **Maintenir l'outil uniquement par les surfaces de prise isolantes si l'outil coupant en marche peut être en contact avec des conducteurs cachés.** Le contact avec un fil sous tension mettra également sous tension les parties métalliques exposées de l'outil et provoquera un choc électrique sur l'opérateur.





- ▶ **Pour les coupes longitudinales, toujours utiliser un guide parallèle ou un guide à bords droits.** Cela améliore la précision de la coupe et réduit le risque de grippage de la lame.
- ▶ **Toujours utiliser des lames dont la taille et la forme des alésages de centrage sont convenables (par exemple en étoile ou ronds).** Les lames qui ne correspondent pas aux éléments de montage de la scie se décentreront, provoquant une perte de maîtrise.
- ▶ **Ne jamais utiliser de rondelles ou de boulons de lames endommagés ou inadaptés.** Les rondelles et les boulons de lames ont été spécialement conçus pour votre scie, afin de garantir une performance optimale et une sécurité de fonctionnement.

#### Recul – Causes et instructions de sécurité correspondantes

- Le recul est une réaction soudaine observée sur une lame de scie pincée, bloquée ou mal alignée, faisant sortir la scie de la pièce à travailler de manière incontrôlée, dans la direction de l'opérateur ;
- lorsque la lame est pincée ou grippée dans le fond du trait de scie, elle se bloque et la force du moteur renvoie soudainement la scie vers l'opérateur ;
- Si la lame se tord ou est mal alignée lors de la coupe, les dents du bord arrière peuvent creuser la face supérieure du bois, de sorte que la lame sort du trait de scie et est projetée vers l'opérateur.

Le recul est le résultat d'un mauvais usage de la scie. Il peut être évité en prenant les précautions adéquates décrites ci-dessous.

- ▶ **Maintenir la scie avec les deux mains et positionner les bras de façon à résister aux forces de recul. Positionner le corps d'un côté de la lame, mais pas dans son alignement.** Le recul peut faire revenir la scie en arrière, mais les forces de recul peuvent être maîtrisées par l'opérateur si les précautions adéquates sont prises.
- ▶ **Lorsque la lame est grippée ou lorsqu'une coupe est interrompue pour quelle que raison que ce soit, arrêter la scie et la maintenir immobile dans le matériau jusqu'à l'arrêt complet de la lame. Ne jamais essayer de retirer la scie de la pièce à travailler ou de tirer la scie en arrière pendant que la lame est en mouvement ou que le recul peut se produire.** Rechercher la cause du grippage de la lame et prendre des mesures correctives pour l'empêcher.
- ▶ **Lors de la remise en marche d'une scie dans la pièce à travailler, centrer la lame dans le trait de scie, de sorte que les dents ne soient pas rentrées dans le matériau.** Si la lame est grippée, elle peut venir chevaucher la pièce à travailler ou provoquer un recul au moment de la remise en marche de la scie.
- ▶ **Placer les panneaux de grande taille sur un support afin de minimiser le risque de grippage de la lame et de recul.** Les grands panneaux ont tendance à fléchir sous leur propre poids. Les panneaux doivent reposer sur des supports des deux côtés, près de la ligne de coupe et près du bord du panneau.
- ▶ **Ne pas utiliser de lames émoussées ou endommagées.** Les lames non aiguisées ou mal fixées produisent un trait de scie rétréci, ce qui provoque ainsi des frottements excessifs, le grippage de la lame et un recul.
- ▶ **Avant le sciage, vérifier le serrage des réglages de la profondeur de coupe et de l'angle de coupe.** Si les réglages varient pendant la coupe, cela peut provoquer un grippage et un recul.
- ▶ **Travailler avec d'autant plus de prudence pour découper des parois existantes ou d'autres zones sans visibilité.** La lame plongeante risque de se coincer dans des objets cachés et de provoquer un recul.

#### Fonctionnement du capot inférieur

- ▶ **Vérifier la fermeture du capot inférieur avant chaque utilisation. Ne pas utiliser la scie si le capot inférieur ne se déplace pas librement et ne se ferme pas instantanément. Ne jamais bloquer ou attacher le capot inférieur en position ouverte.** Si la scie tombe accidentellement, le capot inférieur risque de se déformer. Ouvrir le capot à l'aide de la poignée de rappel et s'assurer qu'il bouge librement et n'est pas en contact avec la lame ni avec d'autres parties, à tous les angles et profondeurs de coupe.
- ▶ **Vérifier le bon fonctionnement du ressort du capot inférieur. Si le capot inférieur et son ressort ne fonctionnent pas correctement, il faut faire réviser la scie avant utilisation.** Le capot peut fonctionner lentement en raison d'éléments endommagés, de dépôts agglutinés ou de l'accumulation de sciures.
- ▶ **Ouvrir le capot inférieur manuellement seulement pour des coupes spéciales telles que les "coupes plongeantes" et les "coupes complexes". Ouvrir le capot inférieur à l'aide de la poignée de rappel et le relâcher dès que la lame de scie entre dans la pièce à travailler.** Pour toutes les autres découpes, le capot inférieur doit fonctionner automatiquement.
- ▶ **Avant de poser la scie sur un établi ou sur le sol, toujours vérifier que le capot inférieur recouvre la lame.** Une lame non protégée et continuant à fonctionner par inertie entraînera la scie en arrière et coupera alors tout ce qui se trouve sur sa trajectoire. Tenir compte du temps qu'il faut à la lame pour s'arrêter complètement.



## 2.3 Consignes de sécurité supplémentaires

### Sécurité des personnes

- ▶ Toute manipulation ou modification de l'appareil est interdite.
- ▶ Toujours tenir l'appareil des deux mains par les poignées prévues à cet effet. Veiller à ce que les poignées soient toujours sèches, propres et exemptes de traces de graisse et d'huile.
- ▶ Porter un casque antibruit. Le bruit peut entraîner des pertes auditives.
- ▶ Si l'appareil fonctionne sans dispositif d'aspiration de la poussière et si le travail effectué dégage de la poussière, porter un masque respiratoire léger.
- ▶ Utiliser l'appareil uniquement avec les dispositifs de sécurité correspondants.
- ▶ Faire régulièrement des pauses et des exercices de relaxation et de massage des doigts pour favoriser l'irrigation sanguine dans les doigts.
- ▶ L'appareil n'est pas destiné à être utilisé par des personnes affaiblies sans encadrement.
- ▶ L'appareil doit être tenu à l'écart des enfants.
- ▶ Le produit doit seulement être mis en marche sur le lieu de travail.
- ▶ Sortir l'accu de l'appareil pour le stockage et le transport de l'appareil.
- ▶ Ne pas utiliser le produit au-dessus de la tête.
- ▶ Ne pas freiner le produit en exerçant une contre-pression latérale contre la lame de scie.
- ▶ La surface de coupe doit être libre de tout obstacle. Ne pas scier des vis, clous, etc.
- ▶ Ne pas toucher le flasque de serrage et la vis de serrage pendant que l'appareil est en marche.
- ▶ Ne jamais appuyer sur le bouton-poussoir de blocage de la broche lorsque la lame de scie est en rotation.
- ▶ Ne pas diriger l'appareil vers quelqu'un.
- ▶ Adapter la force d'avance à la lame de scie et au matériau travaillé de sorte que la lame de scie ne se bloque pas et, le cas échéant, ne provoque un contrecoup.
- ▶ Éviter toute surchauffe des pointes des dents de scie.
- ▶ Lors du sciage de matériaux plastiques, éviter de faire fondre le plastique.
- ▶ Les poussières de matériaux telles que des peintures contenant du plomb, certains types de bois, du béton / de la maçonnerie / des pierres naturelles qui contiennent du quartz ainsi que des minéraux et des métaux peuvent être nuisibles à la santé. Le contact ou l'aspiration de poussière peut provoquer des réactions allergiques et/ou des maladies respiratoires de l'utilisateur ou de toute personne se trouvant à proximité. Certaines poussières, telles que des poussières de chêne ou de hêtre, sont considérées comme cancérigènes, en particulier lorsqu'elles sont combinées à des additifs destinés au traitement du bois (chromate, produit de protection du bois). Les matériaux contenant de l'amiante doivent seulement être manipulés par un personnel spécialisé. **Utiliser si possible un dispositif d'aspiration de poussière. Pour une aspiration de poussière efficace, il convient d'utiliser un dépoussiéreur mobile adéquat. Le cas échéant, porter un masque antipoussière adapté au type de poussière considérée. Veiller à ce que le poste de travail soit bien ventilé. Respecter les prescriptions locales en vigueur qui s'appliquent aux matériaux travaillés.**
- ▶ Avant le début du travail, prendre connaissance de la classe de risque de la poussière générée lors des travaux. Utiliser un aspirateur avec une classification de sécurité autorisée officiellement et conforme aux dispositions locales concernant les poussières.
- ▶ Observer les exigences en matière de sécurité nationales en vigueur.

### Sécurité relative au système électrique

- ▶ Avant d'entamer le travail, vérifier, par exemple à l'aide d'un détecteur de métaux, qu'il n'y a pas de câbles ou gaines électriques, tuyaux de gaz ou d'eau cachés dans la zone d'intervention. Toutes pièces métalliques extérieures de l'appareil peuvent devenir conductrices, par exemple, lorsqu'un câble électrique est endommagé par inadvertance. Cela peut entraîner un grave danger d'électrocution.

### Utilisation et emploi soigneux des accus

- ▶ Respecter les directives spécifiques relatives au transport, au stockage et à l'utilisation des blocs-accus Li-Ion.
- ▶ Ne pas exposer les accus à des températures élevées ni au feu. Il y a risque d'explosion.
- ▶ Les accus ne doivent pas être démontés, écrasés, chauffés à une température supérieure à 80 °C (176 °F) ou jetés au feu. Sinon, il y a risque d'incendie, d'explosion et de brûlure.
- ▶ Les accus endommagés (p. ex. accus fissurés, pièces cassées, contacts tordus, déformés vers l'intérieur et/ou l'extérieur) ne doivent plus être chargés ni utilisés.
- ▶ Ne pas utiliser les accus comme source d'énergie pour d'autres appareils non spécifiés.



- ▶ Si l'accu est trop chaud pour être touché, il est probablement défectueux. **Déposer l'appareil à un endroit non inflammable d'où l'accu peut être surveillé, suffisamment loin de matériaux potentiellement inflammables et le laisser refroidir. Contacter le S.A.V. Hilti une fois l'accu refroidi.**

## 2.4 Consignes de sécurité supplémentaires spécifiques aux scies circulaires

- ▶ Uniquement amener la scie circulaire à l'état mis en marche contre la pièce travaillée.
  - ↳ La surface de coupe doit être libre de tout obstacle, en haut et en bas. Ne pas scier des vis, clous ou objets analogues.
- ▶ Ne jamais travailler avec une scie circulaire au plafond ou au-dessus de la tête.
- ▶ Ne jamais freiner la lame de scie en exerçant une contre-pression latérale.
- ▶ Éviter toute surchauffe des pointes des dents de scie.
- ▶ Toujours utiliser la lame de scie adaptée au matériau support à scier.

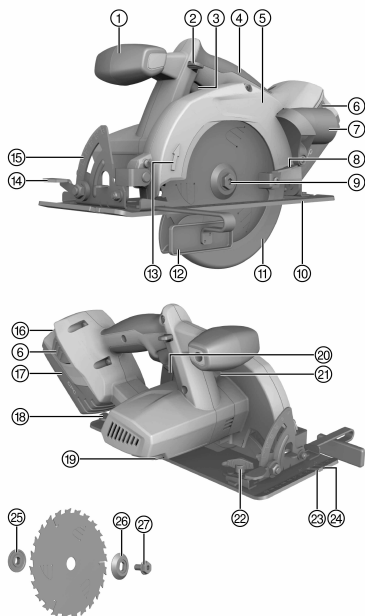
## 2.5 Utilisation et emploi soigneux des batteries

- ▶ Respecter les directives spécifiques relatives au transport, au stockage et à l'utilisation des batteries li-ion.
- ▶ Ne pas exposer les batteries à des températures élevées, ni au rayonnement direct du soleil ou au feu.
- ▶ Les batteries ne doivent pas être démontées, écrasées, chauffées à une température supérieure à 80 °C ou jetées au feu.
- ▶ Ne jamais utiliser ni charger d'accus qui ont subi un choc électrique, qui sont tombés de plus d'un mètre ou qui ont été endommagés d'une manière quelconque. Si tel est le cas, il convient de contacter le **S.A.V Hilti**.
- ▶ Si la batterie est trop chaude pour être touché, elle peut être défectueuse. Déposer le produit à un endroit non inflammable d'où il peut être surveillé, à une distance suffisante de matériaux inflammables et le laisser refroidir. Si tel est le cas, il convient de contacter le **S.A.V Hilti**.



### 3 Description

#### 3.1 Vue d'ensemble du produit



- ① Poignée supplémentaire
- ② Blocage anti-démarrage
- ③ Interrupteur Marche / Arrêt
- ④ Poignée
- ⑤ Carter de protection
- ⑥ Boutons de déverrouillage avec fonction supplémentaire d'activation de l'indicateur de l'état de charge
- ⑦ Raccord (canal à copeaux)
- ⑧ Levier de commande du capot de protection oscillant
- ⑨ Broche d'entraînement
- ⑩ Plaque de base
- ⑪ Capot de protection oscillant
- ⑫ Butée parallèle
- ⑬ Flèche indiquant le sens de rotation
- ⑭ Levier de blocage pour réglage de l'angle de coupe
- ⑮ Échelle d'angle de coupe
- ⑯ Affichage de l'état de charge et des défauts
- ⑰ Accu
- ⑱ Levier de blocage pour réglage de la profondeur de coupe
- ⑲ Clé pour vis à tête six pans creux
- ⑳ Échelle de profondeur de coupe
- ㉑ Bouton de blocage de la broche
- ㉒ Vis de blocage pour la butée parallèle
- ㉓ Repère de coupe 45°
- ㉔ Repère de coupe 0°
- ㉕ Flasque support
- ㉖ Flasque de serrage
- ㉗ Vis de serrage

#### 3.2 Utilisation conforme à l'usage prévu

Le produit décrit est une scie circulaire sans fil. Il est destiné aux travaux de sciage dans le bois ou des matières analogues au bois, des plastiques, des panneaux-plan, du placoplâtre et des matériaux composites. La scie circulaire manuelle est équipée d'un raccord amovible pour un aspirateur/dispositif d'aspiration de poussières en option, prévu pour les tuyaux flexibles d'aspiration courants. Un adaptateur approprié peut être requis pour raccorder le tuyau de l'aspirateur à la scie.

- ▶ Ne pas utiliser les lames de scie dont les caractéristiques techniques indiquées (par ex. diamètre, vitesse de rotation, épaisseur) ne correspondent pas, ni les disques à tronçonner / à ébarber et les lames de scie en acier à coupe rapide fortement allié (acier HSS). Ne pas scier les métaux.
- ▶ Ne pas utiliser le produit pour scier des branches et des troncs d'arbres.
- ▶ Pour ce produit, utiliser exclusivement les accus Li-Ion **Hilti** de la série B 18 / B 22.
- ▶ Pour ces accus, utiliser exclusivement les chargeurs **Hilti** de la série C4/36.

#### 3.3 Affichage de l'accu Li-Ion

L'état de charge de l'accu Li-Ion ainsi que les dysfonctionnements de l'appareil sont signalés par le biais de l'affichage de l'accu Li-Ion. L'état de charge de l'accu Li-Ion peut être visualisé en appuyant légèrement sur l'un des deux boutons de déverrouillage.

État	Signification
4 LED allumées.	État de charge : 75 % à 100 %



État	Signification
3 LED allumées.	État de charge : 50 % à 75 %
2 LED allumées.	État de charge : 25 % à 50 %
1 LED allumée.	État de charge : 10 % à 25 %
1 LED clignote, l'appareil est fonctionnel.	État de charge : < 10 %
1 LED clignote, l'appareil n'est pas fonctionnel.	L'accu surchauffe ou est complètement déchargé.
4 LED clignotent, l'appareil n'est pas fonctionnel.	Charge excessive ou surchauffe de l'appareil.

**i** Il n'est pas possible d'interroger l'indicateur de l'état de charge lorsque le variateur électronique de vitesse est actionné et jusqu'à 5 secondes après avoir relâché le variateur électronique de vitesse. Si les LED de l'affichage de l'accu clignotent, se reporter au chapitre Aide au dépannage.

### 3.4 Butée parallèle

La butée parallèle à bras unique permet d'effectuer des coupes exactes le long d'une arête de la pièce travaillée, resp. de couper des formes de dimensions identiques.

La butée parallèle peut être montée des deux côtés de la semelle.

### 3.5 Éléments fournis

Scie circulaire, lame de scie, vis à tête six pans creux, butée parallèle, raccord pour aspirateur, mode d'emploi.

**i** Vous trouverez les pièces de rechange, consommables et accessoires autorisés convenant pour votre produit dans le centre **Hilti Store** ou sous : [www.hilti.group](http://www.hilti.group) | ÉTATS-UNIS : [www.hilti.com](http://www.hilti.com)

### 3.6 Accessoires

Flasque de serrage, flasque support, vis de serrage.

## 4 Caractéristiques techniques

### 4.1 Scie circulaire

	SCW 22-A
Tension de référence	21,6 V
Poids	9,0 lb (4,1 kg)
Diamètre de lame de scie prescrit	6,3 in ... 6,5 in (160 mm ... 165 mm)
Épaisseur du corps de lame	0,02 in ... 0,06 in (0,5 mm ... 1,5 mm)
Largeur de coupe	0,06 in ... 0,1 in (1,5 mm ... 2 mm)
Alésage de fixation de la lame de scie	0,8 in (20 mm)
Vitesse de rotation à vide de référence	4.000 tr/min
Profondeur de coupe maximale	2,2 in (57 mm)
Angle de coupe oblique	0° ... 50°
Température de service	1 °F ... 140 °F (-17 °C ... 60 °C)
Température de stockage (sans accu)	-4 °F ... 158 °F (-20 °C ... 70 °C)



## 4.2 Batterie

Tension nominale de l'accu	21,6 V
Température de service en cours de service	1 °F ... 140 °F (-17 °C ... 60 °C)
Température de stockage	-4 °F ... 104 °F (-20 °C ... 40 °C)
Température de l'accu au début de la charge	14 °F ... 113 °F (-10 °C ... 45 °C)

## 5 Utilisation

### 5.1 Préparatifs

#### 5.1.1 Recharge de l'accu

1. Avant de commencer la charge, lire le mode d'emploi du chargeur.
2. Veiller à ce que les contacts de l'accu et du chargeur sont propres et secs.
3. Charger l'accu à l'aide d'un chargeur homologué.

#### 5.1.2 Introduction de l'accu

##### ATTENTION

##### Risque de blessures du fait d'un court-circuit ou de la chute de l'accu !

- ▶ Avant d'insérer l'accu dans l'appareil, s'assurer que les contacts de l'accu et les contacts sur le produit sont exempts de corps étrangers.
  - ▶ S'assurer que l'accu s'encliquette toujours correctement.
- 
1. L'accu doit être entièrement chargé avant la première mise en service.
  2. Insérer l'accu dans l'appareil jusqu'à ce qu'il s'encliquette avec un clic audible.
  3. Vérifier que l'accu est bien en place.

#### 5.1.3 Retrait de l'accu

1. Appuyer sur les boutons de déverrouillage de l'accu.
2. Retirer l'accu hors de l'appareil.

#### 5.1.4 Démontage de la lame de scie 2

##### AVERTISSEMENT

##### Risque de brûlures Danger engendré par l'outil très chaud, le flasque de serrage ou les vis de serrage et arêtes tranchantes des lames de scie.

- ▶ Utiliser des gants de protection pour changer d'outil.
- 
1. Extraire l'accu du produit vers l'arrière.
  2. Monter la clé pour vis à tête six pans creux sur la vis de serrage pour la lame de scie.
  3. Appuyer sur le bouton de blocage de la broche et le maintenir enfoncé.
  4. À l'aide de la clé pour vis à tête six pans creux, tourner la vis de serrage de la lame de scie jusqu'à ce que le bouton de blocage de la broche s'encliquette complètement.
  5. Desserrer la vis de serrage à l'aide de la clé pour vis à tête six pans creux en tournant dans le sens indiqué par la flèche.
  6. Enlever la vis de serrage et le flasque de serrage extérieur.
  7. Ouvrir le capot de protection oscillant en l'inclinant et enlever la lame de scie.



Si nécessaire, le flasque support peut être enlevé à des fins de nettoyage.



### 5.1.5 Montage de la lame de scie 2

#### ATTENTION

**Risque d'endommagement !** Des lames de scie inappropriées ou mal mises en place risquent d'endommager la scie.

- ▶ Utiliser uniquement des lames de scie qui conviennent pour cette scie. Respecter le sens de la flèche sur la lame de scie.
- ▶ N'utiliser que des lames de scie dont la vitesse de rotation autorisée soit au moins égale à la vitesse de rotation maximale indiquée sur le produit.

**S'assurer que la lame de scie à monter correspond aux exigences techniques et est bien aiguisée.** Une lame de scie aiguisée est une condition préalable à une coupe parfaite.

1. Extraire l'accu du produit vers l'arrière.
2. Nettoyer le flasque support et le flasque de serrage.
3. Monter le flasque support sur la broche d'entraînement selon l'orientation appropriée.
4. Ouvrir le capot de protection oscillant.
5. Insérer la nouvelle lame de scie.
6. Monter le flasque de serrage extérieur selon l'orientation appropriée.
7. Monter la clé pour vis à tête six pans creux sur la vis de serrage pour la lame de scie.
8. Appuyer sur le bouton de blocage de la broche.
9. Fixer le flasque de serrage avec la vis de serrage en tournant la clé pour vis à tête six pans creux dans le sens inverse de la flèche.
  - ↳ Le bouton de blocage de la broche s'encliquette.
10. Avant la mise en service, vérifier que la lame de scie est bien et correctement en place.

### 5.1.6 Réglage de la profondeur de coupe 4

1. Extraire l'accu du produit vers l'arrière.
2. Desserrer le levier de blocage du réglage de la profondeur de coupe.
3. Soulever le produit avec un mouvement de cisaillement et régler la profondeur de coupe en serrant à fond le levier de blocage.

La profondeur de coupe réglée devrait toujours être choisie environ 5 à 10 mm plus grande que l'épaisseur du matériau à scier.

### 5.1.7 Réglage de l'angle de coupe 5

1. Extraire l'accu du produit vers l'arrière.
2. Desserrer le levier de blocage du réglage de l'angle de coupe.
3. Basculer le produit dans la position souhaitée.
4. Serrer à fond le levier de blocage du réglage de l'angle de coupe.

### 5.1.8 Sciage avec indicateur de coupe 3

Bloquer la pièce travaillée afin qu'elle ne glisse pas.  
 Disposer la pièce travaillée de sorte que la lame de scie tourne librement sous la pièce.  
 S'assurer que l'interrupteur Marche / Arrêt du produit est sur arrêt.  
 Placer le produit avec la semelle sur la pièce travaillée de sorte que la lame de scie ne touche pas encore la pièce.

1. Insérer l'accu dans le produit.
2. Mettre le produit en marche tout en appuyant sur l'interrupteur Marche / Arrêt avec le blocage anti-démarrage activé.
3. Guider le produit à la cadence de travail appropriée le long du guidage à travers la pièce travaillée.

### 5.1.9 Montage / réglage de la butée parallèle 7

1. Extraire l'accu du produit vers l'arrière.
2. Tourner la vis de blocage dans la semelle juste assez pour qu'il y ait encore suffisamment de place pour insérer la butée parallèle.



3. Faire glisser le guide de la butée parallèle sous la vis de blocage.
4. Régler la largeur de coupe souhaitée.
5. Serrer la vis de blocage à fond.

### 5.1.10 Montage de l'adaptateur de rail de guidage



La scie peut être équipée d'un adaptateur de rail de guidage disponible en tant qu'accessoire.

1. Retirer l'accu.
2. Le cas échéant, retirer la butée parallèle si elle est montée.
3. Guider la semelle dans les réglettes de maintien latérales de l'adaptateur de rail de guidage.
4. Introduire complètement la semelle dans l'adaptateur de rail de guidage.
5. Verrouiller l'adaptateur de rail de guidage en poussant les deux coulisseaux jusqu'en butée.

## 5.2 Travail

### 5.2.1 Mise en marche

- ▶ Mettre le produit en marche tout en appuyant sur l'interrupteur Marche / Arrêt avec le blocage anti-démarrage activé.

### 5.2.2 Arrêt

- ▶ Arrêter l'appareil en relâchant l'interrupteur Marche / Arrêt.

### 5.2.3 Coupes longitudinales à 0°

1. Placer la scie avec la rainure de l'adaptateur de rail de guidage sur l'âme du rail de guidage.
2. Mettre le produit en marche. → Page 26
3. Guider le produit à la cadence de travail appropriée le long du rail à travers la pièce à travailler.

### 5.2.4 Coupes longitudinales à des angles jusqu'à 50°

1. Régler l'angle.
2. Mettre le produit en marche. → Page 26
3. Placer la scie avec l'arête extérieure de l'adaptateur du rail de guidage le long de l'âme du rail de guidage. Sans quoi, la lame de scie risque d'entrer en collision avec le rail de guidage.

### 5.2.5 Réalisation de coupes biaisées planes

1. Poser le rail de guidage avec le point zéro sur l'arête de la pièce travaillée et tourner le rail de guidage jusqu'à ce que l'angle souhaité sur la graduation d'angle soit opposé au point zéro. L'angle de coupe indiqué donne l'angle de déviation de la coupe par rapport à la coupe à angle droit.
2. Fixer le rail de guidage à l'aide des deux serre-joints à serrage par vis.
3. Mettre le produit en marche. → Page 26
4. Guider le produit à la cadence de travail appropriée le long du rail à travers la pièce à travailler.

### 5.2.6 Sciage sans dispositif d'aspiration des copeaux

1. Veiller à ce que les copeaux sortent librement.
2. Au besoin, le raccord peut être enlevé du capot de protection après ouverture de la vis à tête six pans creux à l'aide de la clé pour vis à tête six pans creux se trouvant sur le produit.

## 5.3 Procédure en cas de canal à copeaux bouché

1. Extraire l'accu du produit vers l'arrière.
2. Nettoyer le canal à copeaux.



Le cas échéant, la lame de scie doit être démontée.

3. Vérifier que les parties en mouvement fonctionnent correctement et qu'elles ne sont pas coincées, et contrôler si des parties sont cassées ou endommagées de telle sorte que le bon fonctionnement du produit s'en trouve entravé.





## 6 Nettoyage et entretien

### AVERTISSEMENT

#### Risque de blessures lorsque l'accu est inséré !

- ▶ Toujours retirer l'accu avant tous travaux de nettoyage et d'entretien !

#### Entretien de l'appareil

- Éliminer prudemment les saletés récalcitrantes.
- Nettoyer les ouïes d'aération avec précaution au moyen d'une brosse sèche.
- Nettoyer le boîtier uniquement avec un chiffon légèrement humidifié. Ne pas utiliser de nettoyeurs à base de silicone, ceci pourrait attaquer les pièces en plastique.

#### Entretien des accus Li-ion

- Veiller à ce que l'accu soit toujours propre et exempt de traces de graisse et d'huile.
- Nettoyer le boîtier uniquement avec un chiffon légèrement humidifié. Ne pas utiliser de nettoyeurs à base de silicone, ceci pourrait attaquer les pièces en plastique.
- Éviter toute pénétration d'humidité.

#### Entretien

- Vérifier régulièrement qu'aucune pièce visible n'est endommagée et que les organes de commande sont parfaitement opérationnels.
- En cas d'endommagements et/ou de dysfonctionnements, ne pas utiliser le produit. Le faire immédiatement réparer par le S.A.V. **Hilti**.
- Après des travaux de nettoyage et d'entretien, vérifier si tous les équipements de protection sont bien en place et fonctionnent parfaitement.



Pour une utilisation en toute sécurité, utiliser uniquement des pièces de rechange et consommables d'origine. Vous trouverez les pièces de rechange, consommables et accessoires autorisés convenant pour votre produit dans le centre **Hilti Store** ou sous : [www.hilti.group](http://www.hilti.group).

### 6.1 Nettoyage de l'équipement de protection

1. Pour nettoyer l'équipement de protection, retirer la lame de scie.
2. Nettoyer les équipements de protection avec précaution au moyen d'une brosse sèche.
3. Éliminer les dépôts et copeaux restés à l'intérieur des équipements de protection avec un ustensile approprié.
4. Monter la lame de scie.

### 6.2 Contrôle après des travaux de nettoyage et d'entretien



Après des travaux de nettoyage et d'entretien, vérifier si tous les équipements de protection sont bien en place et fonctionnent parfaitement.

- ▶ Pour contrôler le capot de protection oscillant, l'ouvrir complètement en actionnant le levier de commande.
  - ↳ Après avoir relâché le levier de commande, le capot de protection oscillant doit se refermer rapidement et complètement de lui-même.

## 7 Transport et stockage des appareils sur accu

### Transport

#### ATTENTION

#### Mise en marche inopinée lors du transport !

- ▶ Toujours retirer les accus avant de transporter les produits !
- ▶ Retirer les accus.
- ▶ Ne jamais transporter les accus en vrac.
- ▶ Avant toute utilisation consécutive à un transport prolongé de l'appareil et des accus, toujours vérifier qu'ils ne sont pas endommagés.



## Stockage

### ATTENTION

#### Endommagement involontaire du fait d'accus défectueux ou de chute d'accu !

- ▶ Toujours retirer les accus avant de stocker les produits !
- 
- ▶ Stocker l'appareil et les accus si possible au frais et au sec.
  - ▶ Ne jamais stocker les accus exposés au soleil, sur des installations de chauffage ou derrière des vitres.
  - ▶ Stocker l'appareil et les accus hors de portée des enfants et des personnes non autorisées.
  - ▶ Avant toute utilisation consécutive à un stockage prolongé de l'appareil et des accus, toujours vérifier qu'ils ne sont pas endommagés.

## 8 Aide au dépannage

- ▶ En cas de défaillances non énumérées dans ce tableau ou auxquelles il n'est pas possible de remédier sans aide, contacter le S.A.V. **Hilti**.

### 8.1 La scie circulaire n'est pas en état de marche

Défaillance	Causes possibles	Solution
Les LED n'indiquent rien.	L'accu n'est pas complètement encliqueté.	▶ Mettre l'accu en place.
	Décharger l'accu.	▶ Charger l'accu.
	Accu trop chaud ou trop froid.	▶ Amener l'accu à la température ambiante correcte.
1 LED clignote.	Décharger l'accu.	▶ Charger l'accu.
	Accu trop chaud ou trop froid.	▶ Amener l'accu à la température ambiante correcte.
4 LED clignent.	Surcharge momentanée de la scie circulaire.	▶ Relâcher le variateur électronique de vitesse et l'actionner à nouveau.
	Protection contre la surchauffe.	▶ Laisser la scie circulaire refroidir et nettoyer les ouïes d'aération.

### 8.2 La scie circulaire est en état de marche

Défaillance	Causes possibles	Solution
Impossible d'enfoncer l'interrupteur Marche / Arrêt ou l'interrupteur est bloqué.	Pas de défaillance (fonction de sécurité).	▶ Activer le blocage anti-démarrage.
La vitesse de rotation chute brusquement.	Décharger l'accu.	▶ Charger l'accu.
	Force d'avance trop élevée.	▶ Réduire la force d'avance et remettre le produit en marche.
L'accu se vide plus rapidement que d'habitude.	L'état de l'accu n'est pas optimal.	▶ Remplacer l'accu.
Après blocage de la lame de scie, le produit ne se met pas automatiquement à tourner.	La protection électronique contre les surcharges réagit.	▶ Appuyer une nouvelle fois sur le dispositif de blocage et l'interrupteur Marche / Arrêt.
L'accu ne s'encliquette pas avec un « double-clic » audible.	Ergots d'encliquetage encrassés sur l'accu.	▶ Nettoyer les ergots d'encliquetage et réencliqueter l'accu dans son logement.
Important dégagement de chaleur dans la scie circulaire ou dans l'accu.	Défaut électrique.	▶ Arrêter immédiatement la scie circulaire. Retirer l'accu et l'examiner. Laisser l'accu refroidir. Contacter le S.A.V. <b>Hilti</b> .



Défaillance	Causes possibles	Solution
Important dégagement de chaleur dans la scie circulaire ou dans l'accu.	Charge excessive du produit (limite d'emploi dépassée).	▶ Utiliser un perforateur-burineur approprié au type de travail envisagé.
Puissance d'aspiration réduite ou nulle	Canal à copeaux bouché.	▶ Nettoyer le canal à copeaux. → Page 26

## 9 Recyclage

Les appareils **Hilti** sont fabriqués pour une grande partie en matériaux recyclables. Le recyclage présuppose un tri adéquat des matériaux. **Hilti** reprend les appareils usagés dans de nombreux pays en vue de leur recyclage. Consulter le service clients **Hilti** ou un conseiller commercial.

### Élimination des accus

Une élimination non conforme des accus peut produire des émanations de gaz et de liquides nocives pour la santé.

- ▶ Ne pas envoyer ni expédier d'accus endommagés !
- ▶ Recouvrir les raccordements avec un matériau non conducteur pour éviter tout court-circuit.
- ▶ Éliminer les accus en veillant à ce qu'ils soient hors de la portée des enfants.
- ▶ Éliminer l'accu en le déposant auprès du **Hilti Store** local ou s'adresser à l'entreprise de collecte des déchets compétente.



- ▶ Ne pas jeter les appareils électriques, électroniques et accus dans les ordures ménagères !

## 10 Garantie constructeur

- ▶ En cas de questions sur les conditions de garantie, veuillez vous adresser à votre partenaire **Hilti** local.



## 1 Información sobre la documentación

### 1.1 Acerca de esta documentación

- Lea detenidamente esta documentación antes de la puesta en servicio. Ello es imprescindible para un trabajo seguro y un manejo sin problemas.
- Respete las indicaciones de seguridad y las advertencias presentes en esta documentación y en el producto.
- Conserve este manual de instrucciones siempre junto con el producto y entregue el producto a otras personas siempre acompañado del manual.

### 1.2 Explicación de símbolos

#### 1.2.1 Avisos

Las advertencias de seguridad advierten de peligros derivados del manejo del producto. Se utilizan las siguientes palabras de peligro:

**PELIGRO****PELIGRO !**

- ▶ Término utilizado para un peligro inminente que puede ocasionar lesiones graves o incluso la muerte.

**ADVERTENCIA****ADVERTENCIA !**

- ▶ Término utilizado para un posible peligro que puede ocasionar lesiones graves o incluso la muerte.

**PRECAUCIÓN****PRECAUCIÓN !**

- ▶ Término utilizado para una posible situación peligrosa que puede ocasionar lesiones leves o daños materiales.

#### 1.2.2 Símbolos en la documentación

En esta documentación se utilizan los siguientes símbolos:

	Leer el manual de instrucciones antes del uso
	Indicaciones de uso y demás información de interés
	Manejo con materiales reutilizables
	No tirar las herramientas eléctricas y las baterías junto con los desperdicios domésticos

#### 1.2.3 Símbolos en las figuras

En las figuras se utilizan los siguientes símbolos:

<b>2</b>	Estos números hacen referencia a la figura correspondiente incluida al principio de este manual
3	La numeración describe el orden de los pasos de trabajo en la imagen y puede ser diferente de los pasos descritos en el texto
<b>11</b>	Los números de posición se utilizan en la figura <b>Vista general</b> y los números de la leyenda están explicados en el apartado <b>Vista general del producto</b>
	Preste especial atención a este símbolo cuando utilice el producto.

### 1.3 Símbolos dependientes del producto

#### 1.3.1 Símbolos

En el producto se pueden utilizar los siguientes símbolos:



$n_0$	Número de referencia de revoluciones en vacío
— — —	Corriente continua
RPM	Revoluciones por minuto
∅	Diámetro
	Hoja de sierra
	Transferencia de datos inalámbrica
Li-Ion	Batería de Ion-Litio
	Serie utilizada de baterías de Ion-Litio <b>Hilti</b> . Consulte las indicaciones recogidas en el capítulo <b>Uso conforme a las prescripciones</b> .

## 1.4 Información del producto

Los productos han sido diseñados para usuarios profesionales y solo personal autorizado y debidamente formado puede utilizarlos y llevar a cabo su mantenimiento y conservación. Este personal debe estar especialmente instruido en lo referente a los riesgos de uso. La utilización del producto y sus dispositivos auxiliares puede conllevar riesgos para el usuario en caso de manejarse de forma inadecuada por personal no cualificado o utilizarse para usos diferentes a los que están destinados.

La denominación del modelo y el número de serie están indicados en la placa de identificación.

- ▶ Escriba el número de serie en la siguiente tabla. Necesitará los datos del producto para realizar consultas a nuestros representantes o al Departamento de Servicio Técnico.

### Datos del producto

Sierra circular	SCW 22-A
Generación	01
N.º de serie	

## 1.5 Declaración de conformidad

Bajo nuestra exclusiva responsabilidad, declaramos que el producto aquí descrito cumple con las directivas y normas vigentes. Encontrará una reproducción del organismo certificador al final de esta documentación. La documentación técnica se encuentra depositada aquí:

Hilti Entwicklungsgesellschaft mbH | Zulassung Geräte | Hiltistraße 6 | 86916 Kaufering, DE

## 2 Seguridad

### 2.1 Indicaciones generales de seguridad para herramientas eléctricas

**⚠ ADVERTENCIA** Lea con atención todas las indicaciones de seguridad, instrucciones, ilustraciones y datos técnicos correspondientes a esta herramienta eléctrica. La negligencia en el cumplimiento de las instrucciones que se describen a continuación podría provocar descargas eléctricas, incendios o lesiones graves.

**Conservar todas las instrucciones e indicaciones de seguridad para futuras consultas.**

El término «herramienta eléctrica» empleado en las indicaciones de seguridad se refiere a herramientas eléctricas portátiles, ya sea con cable de red o sin cable, en caso de ser accionadas por batería.

#### Seguridad en el puesto de trabajo

- ▶ **Mantenga su área de trabajo limpia y bien iluminada.** El desorden o una iluminación deficiente de las zonas de trabajo pueden provocar accidentes.
- ▶ **No utilice la herramienta eléctrica en un entorno con peligro de explosión en el que se encuentren líquidos, gases o polvos inflamables.** Las herramientas eléctricas producen chispas que pueden llegar a inflamar los materiales en polvo o vapores.
- ▶ **Mantenga alejados a los niños y otras personas de su puesto de trabajo al emplear la herramienta eléctrica.** Una distracción le puede hacer perder el control sobre la herramienta.



**Seguridad eléctrica**

- ▶ **El enchufe de la herramienta eléctrica debe corresponder a la toma de corriente utilizada. No se deberá modificar el enchufe en forma alguna. No utilice enchufes adaptadores para las herramientas eléctricas con puesta a tierra.** Los enchufes sin modificar adecuados a las respectivas tomas de corriente reducen el riesgo de descarga eléctrica.
- ▶ **Evite el contacto corporal con superficies que tengan puesta a tierra, como pueden ser tubos, calefacciones, cocinas y frigoríficos.** El riesgo a quedar expuesto a una sacudida eléctrica es mayor si su cuerpo tiene contacto con tierra.
- ▶ **No exponga las herramientas eléctricas a la lluvia y evite que penetren líquidos en su interior.** El riesgo de recibir descargas eléctricas aumenta si penetra agua en la herramienta eléctrica.
- ▶ **No utilice el cable de conexión para transportar o colgar la herramienta eléctrica ni tire de él para extraer el enchufe de la toma de corriente. Mantenga el cable de conexión alejado de fuentes de calor, aceite, aristas afiladas o piezas móviles.** Los cables de conexión dañados o enredados pueden provocar descargas eléctricas.
- ▶ **Cuando trabaje al aire libre con una herramienta eléctrica, utilice exclusivamente un alargador adecuado para exteriores.** La utilización de un alargador adecuado para su uso en exteriores evita el riesgo de una descarga eléctrica.
- ▶ **Cuando no pueda evitarse el uso de la herramienta eléctrica en un entorno húmedo, utilice un interruptor de corriente de defecto.** La utilización de un interruptor de corriente de defecto evita el riesgo de una descarga eléctrica.

**Seguridad de las personas**

- ▶ **Permanezca atento, preste atención durante el trabajo y utilice la herramienta eléctrica con prudencia. No utilice una herramienta eléctrica si está cansado, ni tampoco después de haber consumido alcohol, drogas o medicamentos.** Un momento de descuido al utilizar la herramienta eléctrica podría producir graves lesiones.
- ▶ **Utilice el equipo de seguridad personal adecuado y lleve siempre gafas protectoras.** El riesgo de lesiones se reduce considerablemente si, según el tipo y la aplicación de la herramienta eléctrica empleada, se utiliza un equipo de seguridad personal adecuado como una mascarilla antipolvo, zapatos de seguridad con suela antideslizante, casco de protección o protección para los oídos.
- ▶ **Evite una puesta en servicio fortuita de la herramienta. Asegúrese de que la herramienta eléctrica está apagada antes de alzarla, transportarla, conectarla a la toma de corriente o insertar la batería.** Si transporta la herramienta eléctrica sujetándola por el interruptor de conexión/desconexión o si introduce el enchufe en la toma de corriente con la herramienta conectada, podría producirse un accidente.
- ▶ **Retire las herramientas de ajuste o llaves fijas antes de conectar la herramienta eléctrica.** Una herramienta o llave colocada en una pieza giratoria puede producir lesiones al ponerse en funcionamiento.
- ▶ **Evite adoptar posturas forzadas. Procure que la postura sea estable y manténgase siempre en equilibrio.** De esta forma podrá controlar mejor la herramienta eléctrica en caso de presentarse una situación inesperada.
- ▶ **Utilice ropa adecuada. No utilice vestimenta amplia ni joyas. Mantenga su pelo, vestimenta y guantes alejados de las piezas móviles.** La vestimenta suelta, las joyas y el pelo largo se pueden enganchar con las piezas en movimiento.
- ▶ **Siempre que sea posible montar equipos de aspiración o captación de polvo, asegúrese de que están conectados y de que se utilizan correctamente.** El uso de un sistema de aspiración de polvo reduce los riesgos derivados del polvo.
- ▶ **No se crea a salvo de cualquier riesgo ni pase por alto ninguna de las normas de seguridad relativas a las herramientas eléctricas, aun cuando esté familiarizado con la herramienta eléctrica y tenga larga experiencia en su uso.** Una actuación negligente puede provocar lesiones graves en cuestión de segundos.

**Uso y manejo de la herramienta eléctrica**

- ▶ **No sobrecargue la herramienta. Utilice la herramienta eléctrica adecuada para el trabajo que se dispone a realizar.** Con la herramienta eléctrica apropiada podrá trabajar mejor y de modo más seguro dentro del margen de potencia indicado.
- ▶ **No utilice herramientas eléctricas con el interruptor defectuoso.** Las herramientas eléctricas que no se puedan conectar o desconectar son peligrosas y deben repararse.
- ▶ **Extraiga el enchufe de la toma de corriente o retire la batería extraíble antes de efectuar cualquier ajuste en la herramienta, cambiar accesorios o en caso de no utilizar la herramienta durante un tiempo prolongado.** Esta medida preventiva evita el riesgo de arranque accidental de la herramienta eléctrica.
- ▶ **Guarde las herramientas eléctricas que no utilice fuera del alcance de los niños. No permita utilizar la herramienta a ninguna persona que no esté familiarizada con ella o que no haya leído**



este manual de instrucciones. Las herramientas eléctricas utilizadas por personas inexpertas son peligrosas.

- ▶ **Cuide su herramienta eléctrica y los accesorios adecuadamente. Compruebe si las piezas móviles de la herramienta funcionan correctamente y sin atascarse, y si existen piezas rotas o deterioradas que pudieran afectar al funcionamiento de la herramienta eléctrica. Encargue la reparación de las piezas defectuosas antes de usar la herramienta eléctrica.** Muchos accidentes son consecuencia de un mantenimiento inadecuado de la herramienta eléctrica.
- ▶ **Mantenga los útiles limpios y afilados.** Las herramientas de corte bien cuidadas y con aristas afiladas se atascan menos y se guían con más facilidad.
- ▶ **Utilice la herramienta eléctrica, los accesorios, útiles de inserción, etc., de acuerdo con estas instrucciones. Para ello, tenga en cuenta las condiciones de trabajo y la tarea que se va a realizar.** El uso de herramientas eléctricas para trabajos diferentes de aquellos para los que han sido concebidas puede resultar peligroso.
- ▶ **Mantenga las empuñaduras y las superficies de contacto secas, limpias y sin residuos de aceite o grasa.** Las empuñaduras y superficies de contacto resbaladizas impiden manejar y controlar la herramienta eléctrica con seguridad en situaciones imprevistas.

#### Uso y manejo de la herramienta de batería

- ▶ **Cargue las baterías únicamente con los cargadores recomendados por el fabricante.** Existe riesgo de incendio al intentar cargar baterías de un tipo diferente al previsto para el cargador.
- ▶ **Utilice únicamente las baterías previstas para la herramienta eléctrica.** El uso de otro tipo de baterías puede provocar daños e incluso incendios.
- ▶ **Si no utiliza la batería, guárdela separada de clips, monedas, llaves, clavos, tornillos y demás objetos metálicos que pudieran puentear sus contactos.** El cortocircuito de los contactos de la batería puede causar quemaduras o incendios.
- ▶ **La utilización inadecuada de la batería puede provocar fugas de líquido. Evite el contacto con este líquido. En caso de contacto accidental, enjuague el área afectada con abundante agua. En caso de contacto con los ojos, acuda además inmediatamente a un médico.** El líquido de la batería puede irritar la piel o producir quemaduras.
- ▶ **No utilice baterías dañadas o modificadas.** Una batería dañada o modificada puede tener un comportamiento imprevisible y provocar incendios, explosiones o riesgo de lesiones.
- ▶ **No exponga la batería al fuego o a temperaturas muy elevadas.** El fuego o las temperaturas superiores a 130 °C (265 °F) pueden provocar una explosión.
- ▶ **Siga todas las instrucciones relativas a la carga y no cargue nunca la batería o la herramienta de batería excediendo el rango de temperatura indicado en el manual de instrucciones.** Una carga incorrecta o fuera del rango de temperatura permitido puede destruir la batería y aumentar el riesgo de incendio.

#### Servicio Técnico

- ▶ **Solicite que un profesional lleve a cabo la reparación de su herramienta eléctrica y que utilice exclusivamente piezas de repuesto originales.** Solamente así se garantiza la seguridad de la herramienta.
- ▶ **No realice nunca el mantenimiento de baterías dañadas.** Cualquier mantenimiento de las baterías debe llevarlo a cabo el fabricante o un centro del Servicio de Atención al Cliente autorizado.

## 2.2 Indicaciones de seguridad para cualquier sierra

### Método de serrado

- ▶ **⚠ PELIGRO: Mantenga las manos alejadas del área de corte y de la hoja de sierra. Sujete la empuñadura adicional o la carcasa del motor con la otra mano.** Si sujeta la sierra con ambas manos, no correrá peligro de lesionarse con la hoja de sierra.
- ▶ **No toque la parte inferior de la pieza de trabajo.** La caperuza protectora no le protege del contacto con la hoja de sierra en la parte inferior de la pieza de trabajo.
- ▶ **Adapte la profundidad de corte al grosor de la pieza de trabajo.** La hoja de sierra no debe sobresalir más de un diente de la pieza de trabajo.
- ▶ **No sujete nunca la pieza de trabajo con la mano o sobre sus piernas. Fije la pieza de trabajo sobre una superficie estable.** Una buena sujeción de la pieza de trabajo es muy importante para reducir el riesgo de atasco de la hoja de sierra o de pérdida de control sobre la herramienta.
- ▶ **Sujete la herramienta eléctrica únicamente por las empuñaduras aisladas cuando realice trabajos en los que la herramienta puede entrar en contacto con cables eléctricos ocultos.** El contacto con cables eléctricos puede activar también las partes metálicas de la herramienta eléctrica y provocar descargas eléctricas.



- ▶ **Utilice siempre un tope o una guía para ángulos rectos al realizar cortes longitudinales.** De este modo se incrementa la exactitud del corte y se reduce el riesgo de atasco de la hoja de sierra.
- ▶ **Utilice siempre hojas de sierra con las dimensiones correctas y el orificio adecuado (p. ej., en forma de estrella o redondo).** Las hojas de sierra que no encajan perfectamente con los componentes de montaje de la sierra giran de forma excéntrica y pueden hacerle perder el control sobre la herramienta.
- ▶ **No utilice nunca arandelas o tornillos de sujeción dañados o inapropiados para la hoja de sierra.** Las arandelas y los tornillos de sujeción de la hoja de sierra han sido especialmente diseñados para ofrecer el mayor número de prestaciones y la máxima seguridad de trabajo.

#### **Descripción de las causas del rebote e indicaciones de seguridad correspondientes**

- El rebote es una fuerza de reacción brusca que sucede al engancharse, atascarse o guiar incorrectamente la hoja de sierra, lo cual provoca que la sierra se salga de forma incontrolada de la pieza de trabajo y resulte impulsada hacia el usuario.
- Si la hoja de sierra se engancha o se atasca al cerrarse la ranura de corte, la hoja de sierra se bloquea y el motor impulsa la sierra en dirección al usuario.
- Si la hoja de sierra se gira lateralmente o se desalinea, los dientes de la parte posterior de la hoja de sierra pueden engancharse en la cara superior de la pieza de trabajo haciendo que la hoja de sierra se salga de la ranura de corte y que la herramienta salga despedida hacia atrás en dirección al usuario.

El rebote se debe a la utilización inadecuada o a procedimientos o condiciones de trabajo. Puede evitarse cumpliendo las medidas de seguridad pertinentes que se describen a continuación.

- ▶ **Sujete la sierra firmemente con ambas manos manteniendo los brazos en una posición que le permita hacer frente a las fuerzas de rebote. Mantenga la hoja de sierra a un lado y no la coloque en línea con su cuerpo.** Si la sierra circular retrocede bruscamente al rebotar, el usuario podrá controlar dicha fuerza de rebote siempre que haya tomado las precauciones adecuadas.
- ▶ **Si la hoja de sierra se atasca o el trabajo se interrumpe, desconecte la sierra y espere hasta que la hoja de sierra se detenga. Nunca intente extraer la sierra de la pieza de trabajo ni tirar de ella hacia atrás mientras la hoja de sierra esté en funcionamiento, ya que de lo contrario puede rebotar.** Detecte las causas que provocan que la hoja de sierra se atasque y corríjalas.
- ▶ **Para continuar el trabajo con la sierra insertada en la pieza de trabajo, centre la hoja de sierra en la ranura y compruebe que los dientes no estén enganchados en la pieza de trabajo.** Si la hoja de sierra está atascada puede llegar a salirse de la pieza de trabajo o provocar un rebote al ponerla de nuevo en marcha.
- ▶ **Apoye las placas grandes para evitar el riesgo de rebote a causa del atasco de la hoja de sierra.** Las placas grandes pueden doblarse por su propio peso. Las placas deben estar sujetadas a ambos lados, tanto cerca de la ranura de la sierra como del borde.
- ▶ **No utilice hojas de sierra desafiladas o dañadas.** Las hojas de sierra con dientes desafilados o desalineados provocan una fricción excesiva, atasco o rebote de la hoja de sierra a causa de una ranura de corte demasiado estrecha.
- ▶ **Antes de empezar a serrar, ajuste los dispositivos de profundidad y el ángulo de corte.** Si durante el trabajo de serrado se modifica la configuración, la hoja de sierra puede atascarse y originar un rebote.
- ▶ **Preste especial atención al serrar en paredes o en áreas ocultas.** Durante el proceso de serrado, la hoja de sierra puede quedar bloqueada en objetos ocultos y provocar un rebote.

#### **Función de la caperuza protectora inferior**

- ▶ **Antes de cada aplicación, compruebe que la caperuza protectora inferior cierra correctamente. No use la sierra si la caperuza protectora inferior no gira con total libertad o se cierra de forma repentina. No bloquee ni conecte la caperuza protectora inferior en posición abierta.** En caso de caída de la sierra, la caperuza protectora inferior podría deformarse. Abra la caperuza protectora inferior con la palanca y asegúrese de que se mueve con total libertad sin llegar a tocar la hoja de sierra ni otras partes en cualquier ángulo y profundidad de corte.
- ▶ **Compruebe el funcionamiento del muelle de la caperuza protectora inferior. Si la caperuza protectora inferior o el muelle no funcionan correctamente, repare la herramienta antes de su utilización.** Las piezas deterioradas, los restos de material pegajoso o las virutas acumuladas pueden alterar el buen funcionamiento de la caperuza protectora inferior.
- ▶ **Abra la caperuza protectora inferior manualmente solo al realizar cortes especiales como «cortes por inmersión» o «cortes en ángulo».** Abra la caperuza protectora inferior con la palanca y suéltela cuando la hoja de sierra haya penetrado en la pieza de trabajo. Para el resto de aplicaciones, la caperuza protectora inferior deberá utilizarse de forma automática.
- ▶ **No deposite la sierra sobre el banco de trabajo o el suelo si la caperuza protectora inferior no cubre la hoja de sierra.** Las hojas de sierra sin protección empujan a la sierra en dirección contraria a la dirección de corte, serrando todo lo que encuentra a su paso. Tenga en cuenta el tiempo de marcha por inercia de la sierra.





## 2.3 Indicaciones de seguridad adicionales

### Seguridad de las personas

- ▶ No está permitido efectuar manipulaciones o modificaciones en la herramienta.
- ▶ Sujete siempre la herramienta con ambas manos por las empuñaduras previstas. Mantenga las empuñaduras secas, limpias y sin residuos de aceite o grasa.
- ▶ Utilice protección para los oídos. El ruido constante puede reducir la capacidad auditiva.
- ▶ Si la herramienta se utiliza sin un sistema de aspiración de polvo, debe emplearse una mascarilla ligera al realizar trabajos que generen polvo.
- ▶ Utilice la herramienta siempre con los dispositivos de seguridad correspondientes.
- ▶ Efectúe pausas durante el trabajo, así como ejercicios de relajación y estiramiento de los dedos para mejorar la circulación de estos.
- ▶ La herramienta no es adecuada para personas con poca fuerza a las que no se haya instruido.
- ▶ Mantenga la herramienta fuera del alcance de los niños.
- ▶ Conecte el producto una vez que se encuentre en la zona de trabajo.
- ▶ Extraiga la batería cuando la herramienta se vaya a almacenar o transportar.
- ▶ No trabaje con el producto por encima de la cabeza.
- ▶ No reduzca la velocidad del producto presionando lateralmente contra la hoja de sierra.
- ▶ El recorrido de corte debe estar libre de obstáculos. No sierre tornillos, clavos, etc.
- ▶ No toque la brida de apriete ni el tornillo de apriete con la herramienta en funcionamiento.
- ▶ Nunca pulse el botón de bloqueo del husillo hasta que la hoja de sierra se haya detenido.
- ▶ No trabaje con la herramienta orientada hacia ninguna persona.
- ▶ Adapte la potencia de avance a la hoja de sierra determinada y al material utilizado de forma que la hoja de sierra no quede bloqueada y no provoque ningún rebote.
- ▶ Evite que se sobrecalienten las puntas de los dientes de la sierra.
- ▶ Al serrar materiales de plástico debe procurarse que el plástico no se funda.
- ▶ El polvo procedente de materiales como pinturas con plomo, determinadas maderas, hormigón/mampostería/rocas con cuarzo, así como minerales y metal puede ser nocivo para la salud. El contacto con el polvo o su inhalación puede provocar reacciones alérgicas o asfixia al usuario o a personas que se encuentren en su entorno. Existen determinados tipos de polvo, como puede ser el de roble o el de haya, catalogados como cancerígenos, especialmente si se encuentra mezclado con aditivos usados en el tratamiento de la madera (cromato, agente protector para la madera). Únicamente expertos cualificados están autorizados a manipular materiales que contengan asbesto. **Utilice siempre que sea posible un aspirador de polvo. Para lograr un alto grado de aspiración del polvo, utilice un aspirador de polvo portátil apropiado. Utilice una mascarilla adecuada para cada clase de polvo. Procure una buena ventilación del lugar de trabajo. Respete la normativa vigente en su país concerniente al procesamiento de los materiales de trabajo.**
- ▶ Antes de iniciar el trabajo, consulte la clase de peligros derivados del polvo resultante del trabajo. Utilice un aspirador de obra con una clasificación de protección homologada conforme a las normas locales sobre la protección contra el polvo.
- ▶ Respete la normativa nacional en materia de protección laboral.

### Seguridad eléctrica

- ▶ Compruebe antes de empezar a trabajar si la zona de trabajo oculta cables eléctricos, tuberías de gas o cañerías de agua, por ejemplo, con un detector de metales. Las partes metálicas exteriores de la herramienta pueden pasar a conducir electricidad si, por ejemplo, se ha dañado por error un cable eléctrico. Dichas partes suponen un peligro serio por el riesgo de una descarga eléctrica.

### Manipulación y utilización segura de las baterías

- ▶ Tenga en cuenta las directivas especiales en materia de transporte, almacenamiento y manejo de las baterías de Ion-Litio.
- ▶ Mantenga las baterías alejadas de altas temperaturas y fuego. Existe peligro de explosión.
- ▶ Las baterías no se deben destruir, comprimir, calentar por encima de 80 °C (176 °F) o quemar. En caso contrario existe peligro de abrasión, incendio y explosión.
- ▶ Las baterías dañadas (p. ej., baterías con grietas, piezas rotas o contactos doblados, metidos hacia dentro o extraídos) no deben cargarse ni seguir utilizándose.
- ▶ No utilice las baterías como fuente de energía para otros consumidores no especificados.
- ▶ Si al tocar la batería detecta que está muy caliente, puede deberse a una avería en la misma. Coloque la herramienta en un lugar no inflamable y alejado de materiales inflamables donde pueda vigilarse la batería, y deje que se enfríe. Póngase en contacto con el Servicio Técnico de Hilti una vez que la batería se haya enfriado.



## 2.4 Indicaciones de seguridad adicionales para sierras circulares

- ▶ Desplace la sierra circular manual sobre la pieza de trabajo solo cuando esté conectada.
  - ↳ El recorrido de corte debe estar libre de obstáculos por arriba y por abajo. No sierre tornillos, clavos o similares.
- ▶ No trabaje nunca con una sierra circular por encima de la cabeza.
- ▶ No frene nunca la hoja de sierra ejerciendo presión lateral sobre la hoja de sierra.
- ▶ Evite que se sobrecalienten las puntas de los dientes de la sierra.
- ▶ Utilice siempre la hoja de sierra correspondiente para la superficie de trabajo que deba cortar.

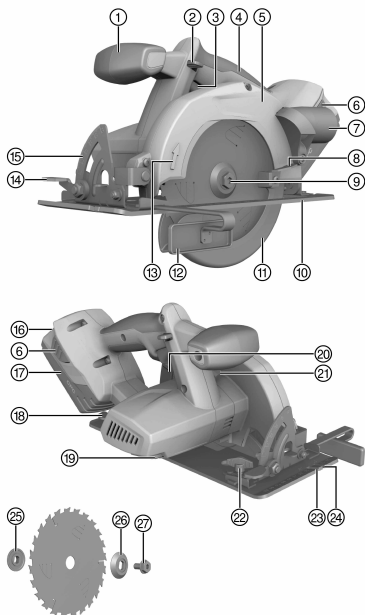
## 2.5 Manipulación y utilización segura de las baterías

- ▶ Tenga en cuenta las directivas especiales en materia de transporte, almacenamiento y manejo de las baterías de Ion-Litio.
- ▶ Mantenga las baterías alejadas de altas temperaturas, radiación solar directa y fuego.
- ▶ Las baterías no se deben destruir, comprimir, calentar por encima de 80 °C o quemar.
- ▶ No utilice ni cargue baterías que hayan recibido algún golpe, que hayan caído desde una altura superior a un metro o que estén dañadas de alguna otra forma. En este caso, póngase siempre en contacto con el **Hilti Servicio Técnico**.
- ▶ Si al tocar la batería detecta que está muy caliente, puede deberse a una avería en la misma. Coloque el producto en un lugar visible, no inflamable y alejado de materiales inflamables, y deje que se enfríe. En este caso, póngase siempre en contacto con el **Hilti Servicio Técnico**.



### 3 Descripción

#### 3.1 Vista general del producto 1



- ① Empuñadura adicional
- ② Bloqueo de conexión
- ③ Interruptor de conexión y desconexión
- ④ Empuñadura
- ⑤ Caperuza protectora
- ⑥ Teclas de desbloqueo con función adicional de activación del indicador del estado de carga
- ⑦ Manguito de empalme (canal de virutas)
- ⑧ Palanca de mando para caperuza protectora contra oscilaciones
- ⑨ Husillo de accionamiento
- ⑩ Placa base
- ⑪ Caperuza protectora contra oscilaciones
- ⑫ Tope paralelo
- ⑬ Flecha de sentido de giro
- ⑭ Palanca de apriete para el ajuste del ángulo de corte
- ⑮ Escala de ajuste del ángulo de corte
- ⑯ Indicador del estado de carga y de averías
- ⑰ Batería
- ⑱ Palanca de apriete para el ajuste de la profundidad de corte
- ⑲ Llave de hexágono interior
- ⑳ Escala de ajuste de la profundidad de corte
- ㉑ Botón de bloqueo del husillo
- ㉒ Tope de profundidad para tope paralelo
- ㉓ Marca de corte de 45°
- ㉔ Marca de corte de 0°
- ㉕ Brida de alojamiento
- ㉖ Brida de apriete
- ㉗ Tornillo de apriete

#### 3.2 Uso conforme a las prescripciones

El producto descrito es una sierra circular de batería. Sirve para trabajos de serrado en madera o en materiales similares, plásticos, yeso encartonado, paneles de fibra de yeso y materiales aglomerados.

La sierra circular manual está equipada con un manguito de empalme desmontable para acoplar a un aspirador de polvo opcional, el cual está diseñado para tubos convencionales de aspirador. Para conectar el tubo de aspiración a la sierra puede que se requiera un adaptador específico.

- ▶ No deben utilizarse hojas de sierra cuyas dimensiones no coincidan con los datos de referencia indicados (p. ej. diámetro, velocidad, grosor) ni discos tronzadores, discos lijadores y hojas de sierra de acero de corte rápido de alta aleación (acero HSS). No deben serrarse metales.
- ▶ No utilice el producto para serrar ramas o troncos.
- ▶ Para este producto utilice únicamente las baterías de Ion-Litio de la serie B 18 / B 22 de **Hilti**.
- ▶ Para estas baterías utilice exclusivamente los cargadores de **Hilti** de la serie C4/36.

#### 3.3 Indicador de la batería de Ion-Litio

El estado de carga de la batería de Ion-Litio y las averías de la herramienta se indican mediante el indicador de la batería de Ion-Litio. El estado de carga de la batería de Ion-Litio se visualiza pulsando una de las dos teclas de desbloqueo de la batería.

Estado	Significado
4 LED encendidos.	Estado de carga: 75 % a 100 %



Estado	Significado
3 LED encendidos.	Estado de carga: 50 % a 75 %
2 LED encendidos.	Estado de carga: 25 % a 50 %
1 LED encendido.	Estado de carga: 10 % a 25 %
1 LED parpadea, la herramienta está lista para funcionar.	Estado de carga: < 10 %
1 LED parpadea, la herramienta no está lista para funcionar.	La batería está sobrecalentada o totalmente descargada.
4 LED parpadean, la herramienta no está lista para funcionar.	La herramienta está sobrecargada o sobrecalentada.

**i** Con el conmutador de control accionado y hasta 5 s después de soltarlo no es posible consultar el estado de carga.  
Si los LED del indicador de la batería parpadean, observe las indicaciones del capítulo «Ayuda en caso de averías».

### 3.4 Tope paralelo

Con el tope paralelo de un brazo pueden realizarse cortes exactos a lo largo del borde de una pieza de trabajo o cortes masivos de listones.

El tope paralelo puede montarse a ambos lados de la placa base.

### 3.5 Suministro

Sierra circular, hoja de sierra, llave de hexágono interior, tope paralelo, racor de conexión para aspirador de polvo, manual de instrucciones.

**i** Puede encontrar piezas de repuesto, consumibles y accesorios para su producto que nosotros mismos comercializamos en **Hilti Store** o en: [www.hilti.group](http://www.hilti.group) | EE. UU.: [www.hilti.com](http://www.hilti.com)

### 3.6 Accesorios

Brida de apriete, brida de alojamiento, tornillo de apriete.

## 4 Datos técnicos

### 4.1 Sierra circular

	SCW 22-A
Tensión nominal	21,6 V
Peso	9,0 lb (4,1 kg)
Diámetro de la hoja de sierra requerido	6,3 in ... 6,5 in (160 mm ... 165 mm)
Grosor del disco base	0,02 in ... 0,06 in (0,5 mm ... 1,5 mm)
Ancho de corte	0,06 in ... 0,1 in (1,5 mm ... 2 mm)
Orificio de la hoja de sierra	0,8 in (20 mm)
Revoluciones nominales en vacío	4.000 rpm
Profundidad de corte máxima	2,2 in (57 mm)
Ángulo de corte a inglete	0° ... 50°



	<b>SCW 22-A</b>
<b>Temperatura de servicio</b>	1 °F ... 140 °F (-17 °C ... 60 °C)
<b>Temperatura de almacenamiento (sin batería)</b>	-4 °F ... 158 °F (-20 °C ... 70 °C)

## 4.2 Batería

<b>Tensión de servicio de la batería</b>	21,6 V
<b>Temperatura ambiente en funcionamiento</b>	1 °F ... 140 °F (-17 °C ... 60 °C)
<b>Temperatura de almacenamiento</b>	-4 °F ... 104 °F (-20 °C ... 40 °C)
<b>Temperatura de la batería al comenzar la carga</b>	14 °F ... 113 °F (-10 °C ... 45 °C)

## 5 Manejo

### 5.1 Preparación del trabajo

#### 5.1.1 Carga de la batería

1. Antes de cargarla, lea el manual de instrucciones del cargador.
2. Asegúrese de que los contactos de la batería y del cargador estén limpios y secos.
3. Cargue la batería en un cargador autorizado.

#### 5.1.2 Colocación de la batería

##### PRECAUCIÓN

##### **Riesgo de lesiones por cortocircuito o caída de la batería.**

- ▶ Antes de insertar la batería, asegúrese de que los contactos de la batería y del producto estén libres de cuerpos extraños.
- ▶ Asegúrese de que la batería encaje siempre correctamente.

1. Cargue por completo la batería antes de la primera puesta en servicio.
2. Coloque la batería en el soporte de la herramienta hasta que encaje de forma audible.
3. Compruebe que la batería está bien colocada.

#### 5.1.3 Extracción de la batería

1. Pulse las teclas de desbloqueo de la batería.
2. Extraiga la batería del soporte de la herramienta.

#### 5.1.4 Desmontaje de la hoja de sierra

##### ADVERTENCIA

**Riesgo de lesiones** Peligro por calentamiento de la herramienta, la brida de apriete o el tornillo de apriete y por los filos cortantes de la hoja de sierra.

- ▶ Utilice guantes de protección para cambiar de útil.

1. Extraiga la batería del producto tirando hacia atrás.
2. Coloque la llave de hexágono interior en el tornillo de apriete de la hoja de sierra.
3. Pulse y mantenga pulsado el botón de bloqueo del husillo.
4. Gire el tornillo de apriete de la hoja de sierra con la llave de hexágono interior hasta que el botón de bloqueo del husillo encaje completamente.
5. Afloje el tornillo de apriete con la llave de hexágono interior girando en el sentido que indica la flecha de giro.
6. Retire el tornillo de apriete y la brida de apriete exterior.



- Abra la caperuzza protectora contra oscilaciones girando la hoja de sierra hasta extraerla.



En caso necesario puede extraerse la brida de alojamiento para su limpieza.

### 5.1.5 Montaje de la hoja de sierra 3



#### PRECAUCIÓN

**Riesgo de daños!** El uso de hojas de sierra inadecuadas o mal colocadas puede dañar la sierra.

- ▶ Utilice solo hojas de sierra adecuadas para esta sierra. Tenga en cuenta la dirección de giro de la hoja de sierra indicada por la flecha.
- ▶ Utilice únicamente hojas de sierra cuya velocidad admisible alcance, como mínimo, el valor máximo indicado en el producto.



**Asegúrese de que la hoja de sierra montada satisface los requisitos técnicos y está bien afilada.**

Un buen afilado de la hoja de sierra es indispensable para realizar un corte perfecto.

- Extraiga la batería del producto tirando hacia atrás.
- Limpie la brida de alojamiento y la brida de apriete.
- Inserte la brida de alojamiento en el husillo de accionamiento con la orientación correcta.
- Abra la caperuzza protectora contra oscilaciones.
- Inserte la nueva hoja de sierra.
- Encaje la brida de apriete externa correctamente orientada.
- Coloque la llave de hexágono interior en el tornillo de apriete de la hoja de sierra.
- Pulse el botón de bloqueo del husillo.
- Fije la brida de apriete con el tornillo de apriete girando la llave de hexágono interior en el sentido opuesto al que indica la flecha de sentido de giro.
  - ↳ El botón de bloqueo del husillo queda enclavado.
- Antes de la puesta en servicio, compruebe que la hoja de sierra está correctamente fijada.

### 5.1.6 Ajuste de la profundidad de corte 4

- Extraiga la batería del producto tirando hacia atrás.
- Extraiga la palanca de apriete del dispositivo de ajuste de la profundidad de corte.
- Levante el producto y ajuste la profundidad de corte apretando la palanca de apriete.



La profundidad de corte ajustada debería ser siempre entre 5 y 10 mm mayor que el grosor del material que desea serrarse.

### 5.1.7 Ajuste del ángulo de corte 5

- Extraiga la batería del producto tirando hacia atrás.
- Extraiga la palanca de apriete del dispositivo de ajuste del ángulo de corte.
- Oriente el producto a la posición deseada.
- Fije la palanca de apriete del dispositivo de ajuste del ángulo de corte.

### 5.1.8 Serrado con trazado 6



Fije bien la pieza de trabajo para que no se mueva.

Coloque la pieza de trabajo de tal modo que la hoja de sierra pueda girar con total libertad debajo de la pieza de trabajo.

Asegúrese de que el interruptor de conexión y desconexión del producto esté desconectado.

Coloque el producto con la placa base sobre la pieza de trabajo de modo que la hoja de sierra todavía no entre en contacto con la pieza de trabajo.

- Inserte la batería en el producto.
- Conecte el producto con el bloqueo de conexión presionando el interruptor de conexión y desconexión.
- Maneje el producto a una velocidad de trabajo adecuada a lo largo del trazado de la pieza de trabajo.



### 5.1.9 Montaje/ajuste del tope paralelo

1. Extraiga la batería del producto tirando hacia atrás.
2. Gire el tope de profundidad en la placa base hasta que haya espacio suficiente para introducir el tope paralelo.
3. Desplace la guía del tope paralelo debajo del tope de profundidad.
4. Ajuste el ancho de corte deseado.
5. Apriete el tope de profundidad.

### 5.1.10 Montaje del adaptador del carril guía



La sierra se puede equipar con un adaptador de carril guía que es posible adquirir como accesorio.

1. Retire la batería.
2. Si procede, retire el tope paralelo montado.
3. Desplace la placa base en el alma de soporte lateral del adaptador del carril guía.
4. Coloque la placa base totalmente en el adaptador del carril guía.
5. Bloquee el adaptador del carril guía presionando las dos correderas hasta el tope.

## 5.2 Trabajo

### 5.2.1 Conexión

- ▶ Conecte el producto con el bloqueo de conexión presionado, presionando el interruptor de conexión y desconexión.

### 5.2.2 Desconexión

- ▶ Sostenga la herramienta soltando el interruptor de conexión y desconexión.

### 5.2.3 Corte longitudinal a 0°

1. Coloque la sierra con la ranura del adaptador del carril guía sobre el alma del carril guía.
2. Conecte el producto. → página 41
3. Guíe el producto a una velocidad de trabajo adecuada del raíl a través de la pieza de trabajo.

### 5.2.4 Cortes longitudinales en ángulos de hasta 50°

1. Ajuste el ángulo.
2. Conecte el producto. → página 41
3. Guíe la sierra con el borde exterior del adaptador del carril guía a lo largo del alma del carril guía. De lo contrario, la hoja de sierra chocará con el carril guía.

### 5.2.5 Inicio de cortes en ángulo plano

1. Coloque el carril guía con el punto cero en el borde de la pieza de trabajo y gire el carril hasta que el ángulo deseado quede en posición opuesta al punto cero en la escala de ángulos. El ángulo de corte seleccionado indica el ángulo de desviación del corte respecto a un corte en ángulo recto.
2. Fije los carriles guía con dos sargentos.
3. Conecte el producto. → página 41
4. Guíe el producto a una velocidad de trabajo adecuada del raíl a través de la pieza de trabajo.

### 5.2.6 Serrado sin aspiración de virutas

1. Tenga en cuenta que las virutas se expulsan libremente.
2. Si es necesario, el manguito de empalme se puede extraer de la caperuzza protectora con la llave de hexágono interior que encontrará en el producto, después de abrir el tornillo con hexágono interior.

## 5.3 Pasos que deben realizarse si el canal de virutas está obstruido

1. Extraiga la batería del producto tirando hacia atrás.
2. Limpie el canal de virutas.



Puede ser necesario tener que desmontar la hoja de sierra.



3. Compruebe si las piezas móviles de la herramienta funcionan correctamente y sin atascarse, y si existen piezas rotas o deterioradas que pudieran afectar al funcionamiento del producto.

## 6 Cuidado y mantenimiento

---

### ADVERTENCIA

#### Riesgo de lesiones con la batería colocada !

- ▶ Extraiga siempre la batería antes de llevar a cabo tareas de cuidado y mantenimiento.
- 

#### Mantenimiento de la herramienta

- Retire con cuidado la suciedad fuertemente adherida.
- Limpie cuidadosamente las rejillas de ventilación con un cepillo seco.
- Limpie la carcasa utilizando únicamente un paño ligeramente humedecido. No utilice limpiadores que contengan silicona, ya que podría afectar a las piezas de plástico.

#### Cuidado de las baterías de Ion-Litio

- Mantenga la batería limpia y sin residuos de aceite o grasa.
- Limpie la carcasa utilizando únicamente un paño ligeramente humedecido. No utilice limpiadores que contengan silicona, ya que podría afectar a las piezas de plástico.
- Evite la penetración de humedad.

#### Mantenimiento

- Compruebe con regularidad si las piezas visibles están dañadas o si los elementos de manejo funcionan correctamente.
  - No utilice el producto si presenta daños o fallos que afecten al funcionamiento. Llévela de inmediato al Servicio Técnico de **Hilti** para que la reparen.
  - Coloque todos los dispositivos de protección después de las tareas de cuidado y mantenimiento y compruebe su correcto funcionamiento.
- 


 Para garantizar un correcto funcionamiento, utilice exclusivamente piezas de repuesto y material de consumo originales. Puede encontrar piezas de repuesto, consumibles y accesorios para su producto que nosotros mismos comercializamos en **Hilti Store** o en: [www.hilti.group](http://www.hilti.group).

---

### 6.1 Limpieza del dispositivo de protección

1. Para realizar la limpieza del dispositivo de protección, extraiga la hoja de sierra.
2. Limpie cuidadosamente los dispositivos de protección con un cepillo seco.
3. Elimine los sedimentos y virutas acumulados en el interior de los dispositivos de protección con la herramienta adecuada.
4. Coloque la hoja de sierra.

### 6.2 Comprobación después de las tareas de cuidado y mantenimiento

 Una vez realizadas las tareas de cuidado y mantenimiento, compruebe si están colocados todos los dispositivos de protección y si estos funcionan correctamente.

---

- ▶ Para comprobar la caperuza protectora contra oscilaciones, ábrala por completo presionando la palanca de mando.
    - ↳ Al soltar la palanca de mando, la caperuza protectora contra oscilaciones debe cerrarse rápidamente y por completo.
- 

## 7 Transporte y almacenamiento de las herramientas alimentadas por batería

---

### Transporte

#### PRECAUCIÓN

#### Arranque involuntario en el transporte !

- ▶ Transporte sus productos siempre sin batería.
  - ▶ Retire las baterías.
  - ▶ No transporte nunca las baterías sin embalaje.
- 





- ▶ Compruebe si la herramienta o las baterías presentan daños tras haber sido transportadas durante mucho tiempo.

## Almacenamiento

### PRECAUCIÓN

#### Daños imprevistos debido a una batería defectuosa o agotada !

- ▶ Guarde su productos siempre sin batería.
- ▶ Guarde la herramienta y las baterías en un lugar lo más seco y fresco posible.
- ▶ No guarde nunca las baterías en un lugar expuesto al sol, sobre un radiador o detrás de una luna de cristal.
- ▶ Guarde la herramienta y las baterías fuera del alcance de niños y personas no autorizadas.
- ▶ Compruebe si la herramienta o las baterías presentan daños tras haber sido almacenadas durante mucho tiempo.

## 8 Ayuda sobre averías

- ▶ Si se producen averías que no estén incluidas en esta tabla o que no pueda solucionar usted, diríjase al Servicio Técnico de Hilti.

### 8.1 La sierra circular no está lista para funcionar

Anomalia	Posible causa	Solución
Los LED no indican nada.	La batería no se ha insertado completamente.	▶ Coloque la batería.
	La batería está descargada.	▶ Cargue la batería.
	La batería está demasiado caliente o fría.	▶ Deje que la batería alcance la temperatura ambiente correcta.
1 LED parpadea.	La batería está descargada.	▶ Cargue la batería.
	La batería está demasiado caliente o fría.	▶ Deje que la batería alcance la temperatura ambiente correcta.
Los 4 LED parpadean.	Sierra circular sobrecargada brevemente.	▶ Suelte el conmutador de control y vuélvalo a accionar.
	La protección de sobrecalentamiento está activada.	▶ Deje enfriar la sierra circular y limpie las rejillas de ventilación.

### 8.2 La sierra circular está lista para funcionar

Anomalia	Posible causa	Solución
El interruptor de conexión y desconexión no se puede pulsar o está bloqueado.	Ninguna avería (función de seguridad).	▶ Presione el bloqueo de conexión.
La velocidad desciende de forma brusca.	La batería está descargada.	▶ Cargue la batería.
	La potencia de avance es demasiado elevada.	▶ Reduzca la potencia de avance y vuelva a conectar el producto.
La batería se descarga con mayor rapidez que de costumbre.	Estado de la batería no óptimo.	▶ Sustituya la batería.
El producto no se pone en marcha automáticamente después del bloqueo de la hoja de sierra.	Se activa la protección contra sobrecarga.	▶ Vuelva a presionar el bloqueo de conexión y el interruptor de conexión y desconexión.
La batería no encaja con un doble clic audible.	Suciedad en las lengüetas de la batería.	▶ Limpie las lengüetas y vuelva a colocar la batería.



Anomalia	Posible causa	Solución
Calentamiento considerable de la sierra circular o la batería.	Error en el sistema eléctrico.	▶ Desconecte la sierra circular de inmediato. Extraiga la batería y obsérvela. Deje que la batería se enfríe. Póngase en contacto con el Servicio Técnico de <b>Hilti</b> .
	El producto está sobrecargado (límites de aplicación superados).	▶ Seleccione una herramienta adecuada para la aplicación.
Rendimiento de aspiración nulo o reducido.	El canal de virutas está obstruido.	▶ Limpie el canal de virutas. → página 41

## 9 Reciclaje

Las herramientas **Hilti** están fabricadas en su mayor parte con materiales reutilizables. La condición para dicha reutilización es una separación adecuada de los materiales. En muchos países, **Hilti** recoge las herramientas usadas para su recuperación. Pregunte en el Servicio de Atención al Cliente de **Hilti** o a su asesor de ventas.

### Eliminación de las baterías

Los gases y líquidos originados por una eliminación indebida de las baterías pueden ser perjudiciales para la salud.

- ▶ No envíe baterías dañadas bajo ningún concepto.
- ▶ Cubra las conexiones con un material no conductor para evitar cortocircuitos.
- ▶ Deshágase de las baterías de tal forma que no terminen en manos de niños.
- ▶ Elimine la batería en su **Hilti Store** o diríjase a su empresa de desechos.



- ▶ No deseche las herramientas eléctricas, los aparatos eléctricos ni las baterías junto con los residuos domésticos.

## 10 Garantía del fabricante

- ▶ Si tiene alguna consulta acerca de las condiciones de la garantía, póngase en contacto con su sucursal local de **Hilti**.



This Product is Certified  
Ce produit est homologué  
Producto homologado por  
Este producto está registrado





Hilti Corporation  
LI-9494 Schaan  
Tel.:+423 234 21 11  
Fax:+423 234 29 65  
[www.hilti.group](http://www.hilti.group)



2153714