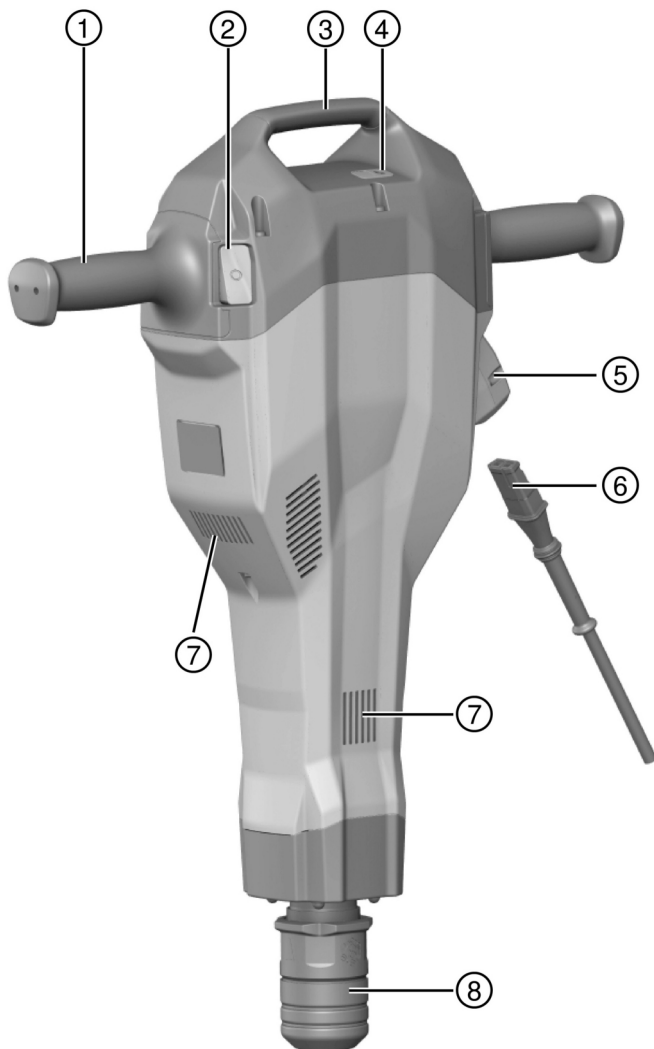
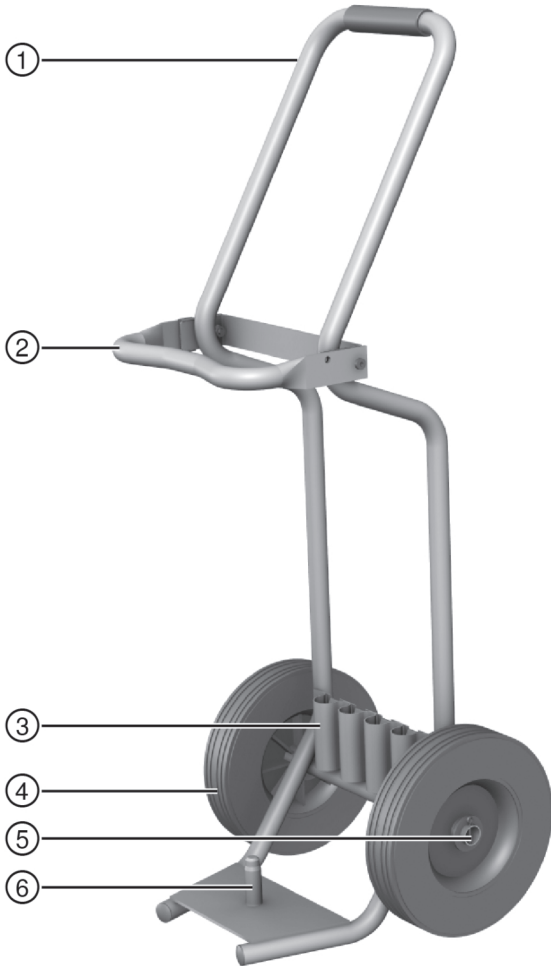




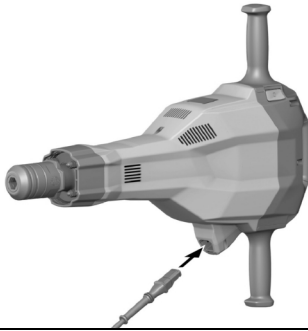
# TE 2000-AVR (01)

English	1
Français	9
Dansk	18
Svenska	27
Norsk	36
Suomi	44
Eesti	53
Latviešu	61
Lietuvių	70
Русский	79
Українська	89
Қазақ	100
Türkçe	109
عربي	118
日本語	128
한국어	136
繁體中文	144
中文	152

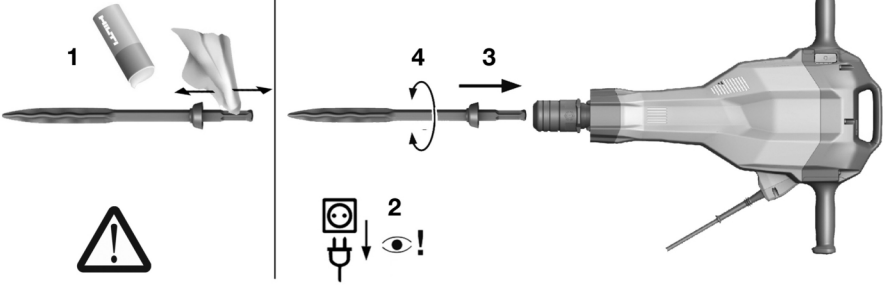




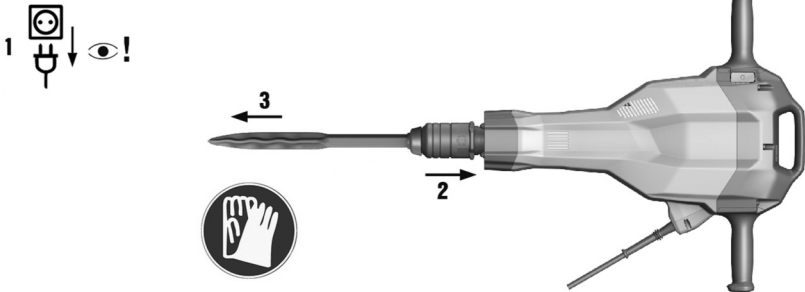
3



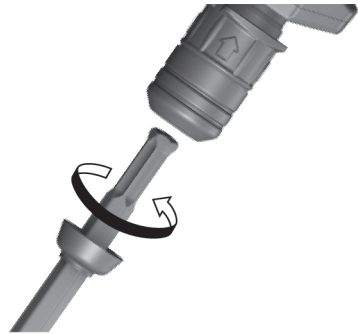
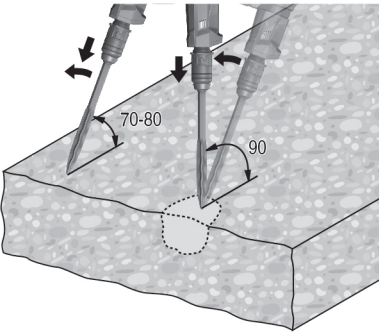
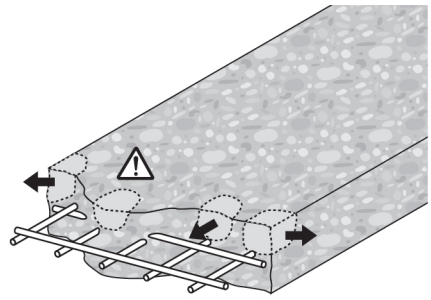
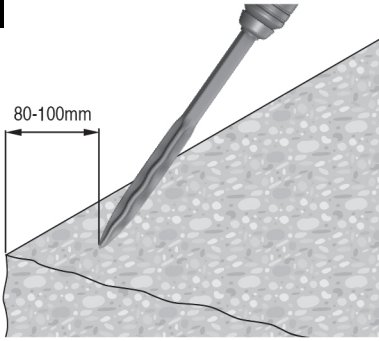
4



5



6



# TE 2000-AVR

en	Original operating instructions	1
fr	Mode d'emploi original	9
da	Original brugsanvisning	18
sv	Originalbruksanvisning	27
no	Original bruksanvisning	36
fi	Alkuperäiset ohjeet	44
et	Originaalkasutusjuhend	53
lv	Originālā lietošanas instrukcija	61
lt	Originali naudojimo instrukcija	70
ru	Оригинальное руководство по эксплуатации	79
uk	Оригінальна інструкція з експлуатації	89
kk	Түпнұсқа пайдалану бойынша нұсқаулық	100
tr	Orijinal kullanım kılavuzu	109
ar	دليل الاستعمال الأصلي	118
ja	オリジナル取扱説明書	128
ko	오리지널 사용 설명서	136
zh	原始操作說明	144
cn	原版操作说明	152

# Original operating instructions

## 1 Information about the operating instructions

### 1.1 About these operating instructions

- **Warning!** Read and understand all accompanying documentation, including but not limited to instructions, safety warnings, illustrations, and specifications provided with this product. Familiarize yourself with all the instructions, safety warnings, illustrations, specifications, components, and functions of the product before use. Failure to do so may result in electric shock, fire, and/or serious injury. Save all warnings and instructions for future reference.
- products are designed for professional users and only trained, authorized personnel are permitted to operate, service and maintain the products. This personnel must be specifically informed about the possible hazards. The product and its ancillary equipment can present hazards if used incorrectly by untrained personnel or if used not in accordance with the intended use.
- The accompanying documentation corresponds to the current state of the art at the time of printing. Please always check for the latest version on the product's page on Hilti's website. To do this, follow the link or scan the QR code in this documentation, marked with the symbol
- Ensure that these operating instructions are with the product when it is given to other persons.

### 1.2 Explanation of symbols

#### 1.2.1 Warnings

Warnings alert persons to hazards that occur when handling or using the product. The following signal words are used:

**DANGER**

**DANGER !**

- ▶ Draws attention to imminent danger that will lead to serious personal injury or fatality.

**WARNING**

**WARNING !**

- ▶ Draws attention to a potential threat of danger that can lead to serious injury or fatality.

**CAUTION**

**CAUTION !**

- ▶ Draws attention to a potentially dangerous situation that could lead to personal injury or damage to the equipment or other property.

#### 1.2.2 Symbols in the operating instructions

The following symbols are used in these operating instructions:

	Comply with the operating instructions
	Instructions for use and other useful information
	Dealing with recyclable materials
	Do not dispose of electric equipment and batteries as household waste

#### 1.2.3 Symbols in illustrations

The following symbols are used in illustrations:

<b>2</b>	These numbers refer to the illustrations at the beginning of these operating instructions.
<b>3</b>	The numbers in illustrations refer to important work steps or to components important for the work steps. In the text, the corresponding numbers draw attention to these work steps or components, e.g. <b>(3)</b> .



	Item reference numbers are used in the <b>overview illustration</b> and refer to the numbers used in the key in the <b>product overview</b> section.
	This symbol is intended to draw your special attention to certain points for handling the product.

### 1.3 Product-dependent symbols

#### 1.3.1 Symbols on the product

The following symbols are used on the product:

	Protection class II (double-insulated)
	Service indicator

## 2 Safety

### 2.1 General power tool safety warnings

**⚠ WARNING** Read all safety warnings, instructions, illustrations and specifications provided with this power tool. Failure to follow all instructions listed below may result in electric shock, fire and/or serious injury. **Save all warnings and instructions for future reference.**

The term "power tool" in the warnings refers to your mains-operated (corded) power tool or battery-operated (cordless) power tool.

#### Work area safety

- ▶ **Keep work area clean and well lit.** Cluttered or dark areas invite accidents.
- ▶ **Do not operate power tools in explosive atmospheres, such as in the presence of flammable liquids, gases or dust.** Power tools create sparks which may ignite the dust or fumes.
- ▶ **Keep children and bystanders away while operating a power tool.** Distractions can cause you to lose control.

#### Electrical safety

- ▶ **Power tool plugs must match the outlet. Never modify the plug in any way. Do not use any adapter plugs with earthed (grounded) power tools.** Unmodified plugs and matching outlets will reduce risk of electric shock.
- ▶ **Avoid body contact with earthed or grounded surfaces, such as pipes, radiators, ranges and refrigerators.** There is an increased risk of electric shock if your body is earthed or grounded.
- ▶ **Do not expose power tools to rain or wet conditions.** Water entering a power tool will increase the risk of electric shock.
- ▶ **Do not abuse the cord. Never use the cord for carrying, pulling or unplugging the power tool. Keep cord away from heat, oil, sharp edges or moving parts.** Damaged or entangled cords increase the risk of electric shock.
- ▶ **When operating a power tool outdoors, use an extension cord suitable for outdoor use.** Use of a cord suitable for outdoor use reduces the risk of electric shock.
- ▶ **If operating a power tool in a damp location is unavoidable, use a residual current device (RCD) protected supply.** Use of an RCD reduces the risk of electric shock.

#### Personal safety

- ▶ **Stay alert, watch what you are doing and use common sense when operating a power tool. Do not use a power tool while you are tired or under the influence of drugs, alcohol or medication.** A moment of inattention while operating power tools may result in serious personal injury.
- ▶ **Use personal protective equipment. Always wear eye protection.** Protective equipment such as a dust mask, non-skid safety shoes, hard hat or hearing protection used for appropriate conditions will reduce personal injuries.
- ▶ **Prevent unintentional starting. Ensure the switch is in the off-position before connecting to power source and/or battery pack, picking up or carrying the tool.** Carrying power tools with your finger on the switch or energising power tools that have the switch on invites accidents.
- ▶ **Remove any adjusting key or wrench before turning the power tool on.** A wrench or a key left attached to a rotating part of the power tool may result in personal injury.
- ▶ **Do not overreach. Keep proper footing and balance at all times.** This enables better control of the power tool in unexpected situations.





- ▶ **Dress properly. Do not wear loose clothing or jewellery. Keep your hair and clothing away from moving parts.** Loose clothes, jewellery or long hair can be caught in moving parts.
- ▶ **If devices are provided for the connection of dust extraction and collection facilities, ensure these are connected and properly used.** Use of dust collection can reduce dust-related hazards.
- ▶ **Do not let familiarity gained from frequent use of tools allow you to become complacent and ignore tool safety principles.** A careless action can cause severe injury within a fraction of a second.

#### Power tool use and care

- ▶ **Do not force the power tool. Use the correct power tool for your application.** The correct power tool will do the job better and safer at the rate for which it was designed.
- ▶ **Do not use the power tool if the switch does not turn it on and off.** Any power tool that cannot be controlled with the switch is dangerous and must be repaired.
- ▶ **Disconnect the plug from the power source and/or remove the battery pack, if detachable, from the power tool before making any adjustments, changing accessories, or storing power tools.** Such preventive safety measures reduce the risk of starting the power tool accidentally.
- ▶ **Store idle power tools out of the reach of children and do not allow persons unfamiliar with the power tool or these instructions to operate the power tool.** Power tools are dangerous in the hands of untrained users.
- ▶ **Maintain power tools and accessories. Check for misalignment or binding of moving parts, breakage of parts and any other condition that may affect the power tool's operation. If damaged, have the power tool repaired before use.** Many accidents are caused by poorly maintained power tools.
- ▶ **Keep cutting tools sharp and clean.** Properly maintained cutting tools with sharp cutting edges are less likely to bind and are easier to control.
- ▶ **Use the power tool, accessories and tool bits etc. in accordance with these instructions, taking into account the working conditions and the work to be performed.** Use of the power tool for operations different from those intended could result in a hazardous situation.
- ▶ **Keep handles and grasping surfaces dry, clean and free from oil and grease.** Slippery handles and grasping surfaces do not allow for safe handling and control of the tool in unexpected situations.

#### Service

- ▶ **Have your power tool serviced by a qualified repair person using only identical replacement parts.** This will ensure that the safety of the power tool is maintained.

## 2.2 Hammer safety warnings

### Safety instructions for all operations

- ▶ **Wear ear protectors.** Exposure to noise can cause hearing loss.
- ▶ **Use auxiliary handle(s), if supplied with the tool.** Loss of control can cause personal injury.
- ▶ **Hold the power tool by insulated gripping surfaces, when performing an operation where the cutting accessory may contact hidden wiring or its own cord.** Cutting accessory contacting a "live" wire may make exposed metal parts of the power tool "live" and could give the operator an electric shock.

## 2.3 Additional safety instructions for breakers

### Personal safety

- ▶ Use the product and accessories only when they are in perfect working order.
- ▶ Never tamper with or modify the product or accessories in any way.
- ▶ When chiseling into ceilings, walls and floors, always make sure that you have a safe and firm stance. A sudden break-through can affect your balance!
- ▶ Apply appropriate safety measures at the opposite side of the workpiece in work that involves breaking through. Parts breaking away could fall out and / or fall down causing injury to other persons.
- ▶ You and any other persons in the vicinity must wear suitable eye protection, a hard hat, ear protection, protective gloves and respiratory protection while the tool is in use.
- ▶ Wear protective gloves when changing the accessory tool. Touching the accessory tool can result in cuts and burns.
- ▶ Wear eye protection. Flying fragments present a risk of injury to the body and eyes.



- ▶ Dust produced by grinding, sanding, cutting and drilling can contain dangerous chemicals. Some examples are: lead or lead-based paints; brick, concrete and other masonry products, natural stone and other products containing silicates; certain types of wood, such as oak, beech and chemically treated wood; asbestos or materials that contain asbestos. Determine the exposure of the operator and bystanders by means of the hazard classification of the materials to be worked. Implement the necessary measures to restrict exposure to a safe level, for example by the use of a dust collection system or by the wearing of suitable respiratory protection. The general measures for reducing exposure include:
  - ▶ working in an area that is well ventilated,
  - ▶ avoidance of prolonged contact with dust,
  - ▶ directing dust away from the face and body,
  - ▶ wearing protective clothing and washing exposed areas of the skin with water and soap.
- ▶ Take frequent breaks and do physical exercises to improve the blood circulation in your fingers. High vibration during long periods of work can lead to disorders of the blood vessels and nervous system in the fingers, hands and wrists.

### Electrical safety

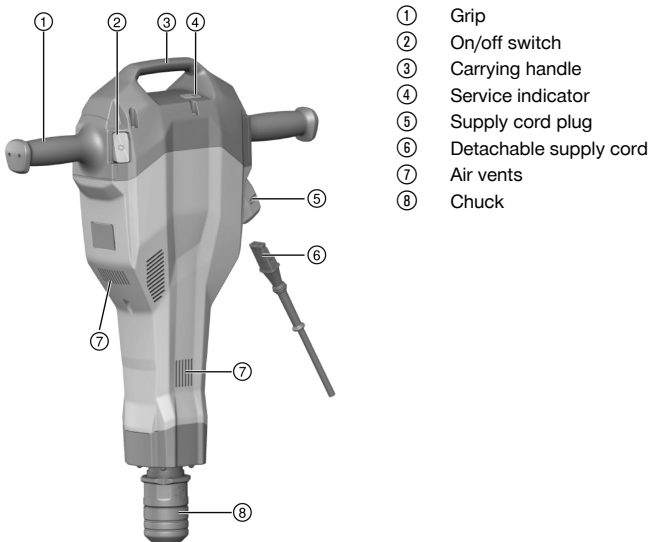
- ▶ Before beginning work, check the working area for concealed electric cables or gas and water pipes. External metal parts of the product could give you an electric shock or cause an explosion if you accidentally damage an electric cable or a gas or water pipe.

### Power tool use and care

- ▶ Switch the product on only after you have brought it to the working position.
- ▶ Wait until the product has come to a complete stop before you lay it down.

## 3 Description

### 3.1 Overview of the TE 2000-AVR



- ① Grip
- ② On/off switch
- ③ Carrying handle
- ④ Service indicator
- ⑤ Supply cord plug
- ⑥ Detachable supply cord
- ⑦ Air vents
- ⑧ Chuck

### 3.2 Overview of the transport trolley

- ① Grip
- ② Locking bar
- ③ Holder for accessory tools (chisels)
- ④ Wheels
- ⑤ Wheel securing parts (washer, retaining pin)
- ⑥ Power tool locating pin

### 3.3 Intended use

The product described is a hand-held electric breaker. It is designed for chiseling work on concrete, masonry and asphalt. It can also be used for excavating and compacting.



The tool may be operated only when connected to a power supply providing a voltage and frequency in compliance with the information given on its rating plate.

### 3.4 Foreseeable misuse

- The power tool may be used only in a dry environment.
- Do not use the power tool where there is a risk of fire and explosion.
- Working with materials hazardous to health (e.g. asbestos) is not permissible.

### 3.5 Active Vibration Reduction

The tool is equipped with an Active Vibration Reduction (AVR) system which reduces vibration noticeably.

### 3.6 Service indicator

The breaker is equipped with a service indicator LED.

Status	Meaning
The service indicator lights red.	End of service interval – servicing is due. Return the product to <b>Hilti Service</b> for servicing in good time in order to ensure that it is always ready for use. A fault has occurred in the power tool.
The service indicator flashes red.	Protection against overheating The voltage provided by the electric supply is too high.

### 3.7 Items supplied

Electric breaker, detachable supply cord, operating instructions, grease. The transport trolley is available as an accessory.

You can find other system products approved for your product at your local **Hilti Center** or online at: [www.hilti.group](http://www.hilti.group)

## 4 Technical data

### 4.1 Breaker

For details of the rated voltage, current, frequency and/or input power, please refer to the power tool's country-specific type identification plate.

When powered by a generator or transformer, the generator or transformer's power output must be at least twice the rated input power shown on the rating plate of the power tool. The operating voltage of the transformer or generator must always be within +5% and -15% of the rated voltage of the power tool.

	TE 2000-AVR
<b>Product generation</b>	01
<b>Weight in accordance with EPTA procedure 01</b>	14.5 kg
<b>Impact speed</b>	30 Hz
<b>Protection class</b>	II

### 4.2 Noise information and vibration values

The sound pressure and vibration values given in these instructions were measured in accordance with a standardized test and can be used to compare one power tool with another. They can also be used for a preliminary assessment of exposure.

The data given represent the main applications of the power tool. However, if the power tool is used for different applications, with different accessory tools, or is poorly maintained, the data can vary. This can significantly increase exposure over the total working period.



An accurate estimation of exposure should also take into account the times when the power tool is switched off, or when it is running but not actually being used for a job. This can significantly reduce exposure over the total working period.

Identify additional safety measures to protect the operator from the effects of noise and/or vibration, for example: maintaining the power tool and accessory tools, keeping the hands warm, organization of work patterns.



Detailed information on the versions of the **EN 62841** standards applied here is to be found in the reproduction of the declaration of conformity 162.

### Noise emission values

Measured sound power level ( $L_{WA}$ )	96 dB(A)
Uncertainty for the sound power level ( $K_{WA}$ )	3 dB(A)
Emission sound pressure level ( $L_{pA}$ )	88 dB(A)
Uncertainty for the sound pressure level ( $K_{pA}$ )	3 dB(A)

### Vibration values

Chiseling ( $a_{h, Cheq}$ )	3.9 m/s <sup>2</sup>
Uncertainty (K)	1.5 m/s <sup>2</sup>

## 5 Operation

### 5.1 Preparations at the workplace



#### CAUTION

**Risk of injury!** Inadvertent starting of the product.

- ▶ Unplug the supply cord before making adjustments to the power tool or before changing accessories.

Observe the safety instructions and warnings in this documentation and on the product.

#### 5.1.1 Connecting the supply cord to the power tool



The releasable plug connector may be connected to the product only when it is clean and dry and when under no voltage (i.e. disconnected from the electric supply). The plug connector has a keyed fit.

1. Remove the supply cord from the cardboard box.
2. Plug the connector into the tool, pushing it in until it is heard to engage.
3. Plug the supply cord into the power outlet.

#### 5.1.2 Fitting the accessory tool

1. Unplug the supply cord from the power outlet.
2. Lightly grease the connection end of the accessory tool.
  - ▶ Use only the recommended grease supplied by **Hilti**. Using the wrong grease can result in damage to the tool.
3. Push the accessory tool into the chuck as far as it will go, turning it and applying light pressure until it engages with an audible click.
4. Check that the chisel has engaged correctly by gripping and pulling it.

#### 5.1.3 Removing the accessory tool



#### CAUTION

**Risk of injury!** The accessory tool may be hot and/or have sharp edges.

- ▶ Wear protective gloves when changing the accessory tool.
- ▶ Never lay down a hot accessory tool on a flammable surface.

1. Unplug the supply cord from the power outlet.
2. Pull the tool lock back as far as it will go.
3. Remove the accessory tool.



## 5.2 Types of work

### WARNING

**Risk of electric shock!** Severe injury and burns can result if any attempt is made to operate the tool without an earth/ground conductor and ground fault circuit interrupter correctly connected.

- ▶ Irrespective of whether mains power or generator power is used, always make sure that an earth/ground conductor and ground fault circuit interrupter are present in the power supply and that these are correctly connected.
- ▶ Do not use the product unless these safety measures are in place and fully operational.

### WARNING

**A damaged supply cord presents a hazard!** Do not touch the supply cord or extension cord if damaged while working. Disconnect the supply cord plug from the power outlet.

- ▶ Check the appliance's supply cord at regular intervals and have it replaced by a qualified specialist if found to be damaged.

Full approval must be obtained from the site engineer or architect prior to beginning the work.

### 5.2.1 Chiseling

1. Plug the supply cord into the power outlet.
2. Position the tip of the chisel at the desired location.
3. Press the on/off switch.



Working at low temperatures:

The hammering mechanism works only when the power tool has reached a minimum operating temperature. Bring the chisel into contact with the workpiece and allow the power tool to run under no load until the required temperature is reached. If necessary, repeat this procedure until the hammering mechanism begins to operate.

### 5.2.2 Switching off

1. Press the on/off switch.
2. Unplug the supply cord from the power outlet.

### 5.2.3 Working with the power tool



The chisel can be adjusted to 6 different positions (in 60° increments). This ensures that flat chisels and shaped chisels can always be set to the optimum working position.

- ▶ Bring the chisel into contact with the workpiece about 80 - 100 mm (3 1/8" - 4") from its edge.
- ▶ When working close to reinforcing bars, always guide the tip of the chisel toward the edge of the workpiece, not toward a reinforcing bar.
- ▶ Begin with the chisel positioned at an angle of 70° to 80° to the concrete surface, with the tip of the chisel pointing toward the edge of the workpiece. Break material away by subsequently increasing the angle to approx. 90° as the chisel penetrates.
- ▶ Rotate the chisel regularly to help ensure even wear and to promote the self-sharpening process.
- ▶ If inadequate pressure is applied, the chisel will jump around uncontrollably. Application of excessive pressure will result in a loss of chiseling performance.

## 6 Optional transport trolley

### 6.1 Transport

The transport trolley helps to ensure that the breaker can be transported safely.

- Take care to ensure that the transport trolley stands in a steady, secure position.
- Place the power tool on the locating pin provided on the transport trolley and always secure it for transport by closing the retaining bar.
- Push the chisels into the holders provided until they engage securely.
- Take care to use only safe transport routes.



- Do not park the transport trolley on an incline.

## 7 Care and maintenance

### WARNING

**Electric shock hazard!** Attempting care and maintenance with the supply cord connected to a power outlet can lead to severe injury and burns.

- ▶ Always unplug the supply cord before carrying out care and maintenance tasks.

#### Care

- Carefully remove stubborn dirt from the tool.
- Clean the air vents carefully with a dry brush.
- Use only a slightly damp cloth to clean the casing. Do not use cleaning agents containing silicone as they can attack the plastic parts.

#### Maintenance

### WARNING

**Danger of electric shock!** Improper repairs to electrical components may lead to serious injuries including burns.

- ▶ Repairs to the electrical section of the tool or appliance may be carried out only by trained electrical specialists.
- Check all visible parts and controls for signs of damage at regular intervals and make sure that they all function correctly.
- Do not operate the product if signs of damage are found or if parts malfunction. Have it repaired immediately by **Hilti Service**.
- After cleaning and maintenance, fit all guards or protective devices and check that they function correctly.

To help ensure safe and reliable operation, use only genuine Hilti spare parts and consumables. Spare parts, consumables and accessories approved by Hilti for use with the product can be found at your local **Hilti Store** or online at: [www.hilti.group](http://www.hilti.group).

## 8 Troubleshooting

If the trouble you are experiencing is not listed in this table or you are unable to remedy the problem by yourself, please contact **Hilti Service**.

### 8.1 Troubleshooting table

Trouble or fault	Possible cause	Action to be taken
The power tool doesn't start.	Electronics initialization in progress (takes up to 4 seconds after plugging in).	▶ Switch the power tool off and on again.
	Interruption in the electric supply.	▶ Plug in another electric appliance and check whether it works.
	The supply cord or plug is defective.	▶ Have the parts checked by a trained electrical specialist and replaced if necessary.
	Generator with sleep mode	▶ Apply a load to the generator by connecting a second power consumer (e.g. worklight). Then switch the power tool on and off again.
No hammering action.	The power tool is too cold.	▶ Allow the power tool to warm up to the minimum operating temperature.
	A fault has occurred in the power tool.	▶ Have the power tool repaired by <b>Hilti Service</b> .



Trouble or fault	Possible cause	Action to be taken
The power tool doesn't start or cuts out while in operation and the indicator flashes red.	Temporary fault (e.g. overheating or overvoltage).	► Switch off, allow the power tool to cool down or connect it to a different electric supply.
The power tool runs but the indicator lights red continuously.	Advance warning of need for servicing.	► Have the power tool serviced or repaired by <b>Hilti Service</b> .
The power tool doesn't start or cuts out while in operation.	The extension cord is too long and/or its gauge is inadequate.	► Use an extension cord of an approved length and/or of adequate gauge.
	The detachable supply cord is not fitted correctly.	► Fit the detachable supply cord to the power tool correctly.

## 9 Disposal

Most of the materials from which **Hilti** tools and appliances are manufactured can be recycled. The materials must be correctly separated before they can be recycled. In many countries, your old tools, machines or appliances can be returned to **Hilti** for recycling. Ask **Hilti Service** or your Hilti representative for further information.



- Do not dispose of power tools, electronic equipment or batteries as household waste!

## 10 RoHS (Restriction of Hazardous Substances)

Click on the link to go to the table of hazardous substances: [qr.hilti.com/r6025050](http://qr.hilti.com/r6025050).

There is a link to the RoHS table, in the form of a QR code, at the end of this document.

## 11 Manufacturer's warranty

- Please contact your local **Hilti** representative if you have questions about the warranty conditions.

# Mode d'emploi original

## 1 Indications relatives au mode d'emploi

### 1.1 À propos de ce mode d'emploi

- **Avertissement !** Il convient de lire et comprendre toute la documentation jointe, y compris, sans s'y limiter, les instructions, avertissements de sécurité, illustration et spécifications fournies avec le présent produit. Prenez connaissance de toutes les instructions, avertissements de sécurité, illustrations, spécifications et fonctions du produit avant de l'utiliser. Tout manquement à cette obligation peut entraîner un choc électrique, un incendie, et/ou des blessures graves. Conservez l'ensemble des avertissements et instructions pour consultation ultérieure.
- Les produits sont destinés aux professionnels et ne doivent être utilisés, entretenus et réparés que par un personnel autorisé et formé. Ce personnel doit être spécialement instruit quant aux dangers inhérents à l'utilisation de l'appareil. Le produit et ses accessoires peuvent s'avérer dangereux s'ils sont utilisés de manière incorrecte par un personnel non qualifié ou de manière non conforme à l'usage prévu.
- La documentation ci-jointe correspond à l'état actuel de la technique à la date d'impression. Veuillez toujours consulter la dernière version sur la page du produit sur le site Internet de Hilti. Pour ce faire, suivez le lien ou scannez le code QR dans la documentation, indiqué par le symbole .
- Ne pas prêter ou céder le produit à un autre utilisateur sans lui fournir le présent mode d'emploi.



## 1.2 Explication des symboles

### 1.2.1 Avertissements

Les avertissements attirent l'attention sur des dangers liés à l'utilisation du produit. Les termes de signalisation suivants sont utilisés :

#### DANGER

##### DANGER !

- ▶ Pour un danger imminent qui peut entraîner de graves blessures corporelles ou la mort.

#### AVERTISSEMENT

##### AVERTISSEMENT !

- ▶ Pour un danger potentiel qui peut entraîner de graves blessures corporelles ou la mort.





#### ATTENTION

##### ATTENTION !

- ▶ Pour une situation potentiellement dangereuse pouvant entraîner des blessures corporelles ou des dégâts matériels.





### 1.2.2 Symboles dans le manuel d'utilisation

Les symboles suivants sont utilisés dans le présent manuel d'utilisation :

	Respecter le manuel d'utilisation
	Pour des conseils d'utilisation et autres informations utiles
	Maniement des matériaux recyclables
	Ne pas jeter les appareils électriques et les accus dans les ordures ménagères

### 1.2.3 Symboles dans les illustrations

Les symboles suivants sont utilisés dans les illustrations :

	Ces chiffres renvoient à l'illustration correspondante au début du présent manuel d'utilisation.
	La numérotation dans les illustrations indique les étapes de travail importantes ou les composants importants pour les étapes de travail. Dans le texte, ces étapes de travail ou composants sont mis en évidence avec les numéros correspondants, par ex. (3).
	Les numéros de position sont utilisés dans l'illustration <b>Vue d'ensemble</b> et renvoient aux numéros des légendes dans la section <b>Vue d'ensemble du produit</b> .
	Ce signe doit inviter à manier le produit en faisant particulièrement attention.

## 1.3 Symboles spécifiques au produit

### 1.3.1 Symboles sur le produit

Les symboles suivants sont utilisés sur le produit :

	Classe de protection II (double isolation)
	Indicateur de maintenance





## 2 Sécurité

### 2.1 Indications générales de sécurité pour les appareils électriques

**⚠ AVERTISSEMENT Lire toutes les consignes de sécurité et instructions, illustrations et caractéristiques techniques, qui accompagnent cet outil électroportatif.** Tout manquement à l'observation des instructions suivantes risque de provoquer une électrocution, un incendie et/ou de graves blessures.

**Les consignes de sécurité et instructions doivent être intégralement conservées pour les utilisations futures.**

La notion d'« outil électroportatif » mentionnée dans les consignes de sécurité se rapporte à des outils électriques raccordés au secteur (avec câble d'alimentation) et à des outils électriques sur accus (sans câble d'alimentation).

#### Sécurité sur le lieu de travail

- ▶ **Conserver la zone de travail propre et bien éclairée.** Un lieu de travail en désordre ou mal éclairé augmente le risque d'accidents.
- ▶ **Ne pas faire fonctionner les outils électriques en atmosphère explosive et où se trouvent des liquides, des gaz ou poussières inflammables.** Les outils électriques produisent des étincelles qui peuvent enflammer les poussières ou les fumées.
- ▶ **Maintenir les enfants et les personnes présentes à l'écart pendant l'utilisation de l'outil électroportatif.** En cas d'inattention il y a risque de perdre le contrôle de l'appareil.

#### Sécurité relative au système électrique

- ▶ **La fiche de secteur de l'outil électroportatif doit être adaptée à la prise de courant. Ne jamais modifier la fiche de quelque façon que ce soit. Ne pas utiliser d'adaptateurs avec des outils électriques à branchement de terre.** Des fiches non modifiées et des prises de courant adaptées réduiront le risque de choc électrique.
- ▶ **Éviter le contact physique avec des surfaces mises à la terre tels que tuyaux, radiateurs, cuisinières et réfrigérateurs.** Il y a un risque élevé de choc électrique au cas où votre corps serait relié à la terre.
- ▶ **Ne pas exposer les outils électroportatifs à la pluie ou à l'humidité.** La pénétration d'eau à l'intérieur d'un outil électroportatif augmentera le risque d'un choc électrique.
- ▶ **Ne jamais utiliser le câble de raccordement à d'autres fins que celles prévues, telles que pour porter, accrocher ou débrancher l'outil électroportatif de la prise de courant. Maintenir le câble de raccordement à l'écart de la chaleur, des parties grasses, des bords tranchants ou des parties en mouvement.** Des câbles de raccordement endommagés ou emmêlés augmentent le risque de choc électrique.
- ▶ **Si l'outil électroportatif est utilisé à l'extérieur, utiliser uniquement des câbles de rallonge homologués pour les applications extérieures.** L'utilisation d'un câble de rallonge homologué pour les applications extérieures réduit le risque d'un choc électrique.
- ▶ **Si l'utilisation de l'outil électrique dans un environnement humide ne peut pas être évitée, utiliser un interrupteur de protection contre les courants de court-circuit.** L'utilisation d'un tel interrupteur de protection réduit le risque d'une décharge électrique.

#### Sécurité des personnes

- ▶ **Rester vigilant, surveiller ce que l'on fait. Faire preuve de bon sens en utilisant l'outil électroportatif. Ne pas utiliser l'outil électroportatif en étant fatigué ou sous l'emprise de l'alcool, de drogues ou de médicaments.** Un moment d'inattention lors de l'utilisation de l'outil électroportatif peut entraîner des blessures graves.
- ▶ **Utiliser un équipement de protection personnel et toujours porter une protection pour les yeux.** Les équipements de protection personnels tels que masque antipoussière, chaussures de sécurité antidérapantes, casque de protection ou protection acoustique suivant l'utilisation de l'outil électroportatif, réduiront le risque de blessures des personnes.
- ▶ **Éviter une mise en service par mégarde. S'assurer que l'outil électroportatif est arrêté avant de le brancher à la source de courant et/ou à l'accu, de le prendre ou de le porter.** Le fait de porter l'outil électroportatif avec le doigt sur l'interrupteur ou de brancher l'appareil sur la source de courant lorsque l'interrupteur est en position de fonctionnement peut entraîner des accidents.
- ▶ **Retirer tout outil de réglage ou toute clé avant de mettre l'outil électroportatif en fonctionnement.** Une clé ou un outil se trouvant sur une partie en rotation peut causer des blessures.
- ▶ **Adopter une bonne posture. Veiller à toujours garder une position stable et équilibrée.** Cela permet un meilleur contrôle de l'outil électroportatif dans des situations inattendues.
- ▶ **S'habiller de manière adaptée. Ne pas porter de vêtements amples ni de bijoux. Garder les cheveux, les vêtements et les gants à distance des parties en mouvement.** Des vêtements amples, des bijoux ou des cheveux longs peuvent être happés par des parties en mouvement.



- ▶ **Si des dispositifs servant à aspirer ou à recueillir les poussières doivent être utilisés, s'assurer qu'ils sont effectivement raccordés et correctement utilisés.** L'utilisation d'un dispositif d'aspiration de la poussière peut réduire les risques dus aux poussières.
- ▶ **Ne pas sous-estimer les mesures de sécurité à prendre et ne pas ignorer sciemment les règles de sécurité applicables aux outils électriques, même si l'on est utilisateur chevronné après de fréquentes utilisations de l'outil électroportatif.** Un manque d'attention peut conduire à de graves blessures en quelques fractions de seconde.

#### **Utilisation et maniemment de l'outil électroportatif**

- ▶ **Ne pas forcer l'appareil. Utiliser l'outil électroportatif adapté au travail à effectuer.** Un outil électroportatif approprié réalisera mieux le travail et de manière plus sûre au régime pour lequel il a été conçu.
- ▶ **Ne pas utiliser d'outil électroportatif dont l'interrupteur est défectueux.** Tout outil électroportatif qui ne peut plus être mis en ou hors fonctionnement est dangereux et doit être réparé.
- ▶ **Débrancher la fiche de la prise de courant et/ou l'accu amovible avant d'effectuer des réglages sur l'appareil, de changer les accessoires, ou de ranger l'appareil.** Cette mesure de précaution empêche une mise en fonctionnement par mégarde de l'outil électroportatif.
- ▶ **Conserver les outils électroportatifs non utilisés hors de portée des enfants. Ne permettre l'utilisation de l'appareil à aucune personne qui ne soit pas familiarisée avec celui-ci ou qui n'a pas lu ces instructions.** Les outils électroportatifs sont dangereux lorsqu'ils sont entre les mains de personnes non initiées.
- ▶ **Prendre soin des outils électroportatifs et des accessoires. Vérifier que les parties en mouvement fonctionnent correctement et qu'elles ne sont pas coincées, et contrôler si des parties sont cassées ou endommagées de sorte que le bon fonctionnement de l'outil électroportatif s'en trouve entravé. Faire réparer les parties endommagées avant d'utiliser l'appareil.** De nombreux accidents sont dus à des outils électroportatifs mal entretenus.
- ▶ **Garder les outils de coupe affûtés et propres.** Des outils destinés à couper correctement entretenus avec des arêtes de coupe tranchantes sont moins susceptibles de bloquer et sont plus faciles à contrôler.
- ▶ **L'outil électroportatif, les accessoires, les outils amovibles, etc. doivent être utilisés conformément à ces instructions. Tenir également compte des conditions de travail et du travail à réaliser.** L'utilisation des outils électroportatifs à d'autres fins que celles prévues peut entraîner des situations dangereuses.
- ▶ **Veiller à ce que les poignées et surfaces de préhension soient toujours être sèches, propres et exemptes de traces de graisse ou d'huile.** Avec des poignées et surfaces de préhension glissantes, la sécurité et le contrôle de l'outil électroportatif ne peuvent être assurés dans des situations inopinées.

#### **Service**

- ▶ **L'outil électroportatif doit uniquement être réparé par un personnel qualifié, utilisant exclusivement des pièces de rechange d'origine.** Ceci permet d'assurer la sécurité de l'outil électroportatif.

## **2.2 Indications générales de sécurité applicables aux burineurs**

### **Consignes de sécurité pour tous les travaux**

- ▶ **Porter un casque antibruit.** Le bruit peut entraîner des pertes auditives.
- ▶ **Utiliser la poignée supplémentaire livrée avec l'appareil.** La perte de contrôle peut entraîner des blessures.
- ▶ **Tenir l'appareil par les surfaces isolées des poignées lors des travaux pendant lesquels l'accessoire risque de toucher des câbles électriques cachés ou son propre câble d'alimentation réseau.** Le contact avec un câble sous tension risque de mettre les parties métalliques de l'appareil sous tension et de provoquer une décharge électrique.

## **2.3 Consignes de sécurité supplémentaires spécifiques au burineur**

### **Sécurité des personnes**

- ▶ Utiliser le produit et les accessoires uniquement s'ils sont en parfait état.
- ▶ Ne jamais entreprendre de manipulation ni de modification sur le produit ou les accessoires.
- ▶ Lors du burinage de plafonds, de murs et de planchers, veiller à conserver une position sûre et stable. Une percée soudaine peut déséquilibrer l'opérateur !
- ▶ Lors de travaux d'ajourage, protéger l'espace du côté opposé aux travaux. Des morceaux de matériaux risquent d'être éjectés et / ou de tomber, et de blesser d'autres personnes.
- ▶ Lors de l'utilisation de l'appareil, l'utilisateur et toute personne se trouvant à proximité doivent porter des lunettes de protection adéquates, un casque de protection, un casque antibruit, des gants de protection et un masque respiratoire léger.



- ▶ Porter des gants de protection pour changer d'outil. Risque de blessures par coupure et de brûlures au contact avec l'outil amovible.
- ▶ Porter des lunettes de protection. Les éclats de matière peuvent entraîner des blessures corporelles et aux yeux.
- ▶ La poussière générée par le meulage, le ponçage, le tronçonnage et le forage peut contenir des produits chimiques dangereux. Par exemple : plomb ou peinture à base de plomb ; brique, béton et autres produits de maçonnerie, pierre naturelle et autres produits contenant des silicates ; certains bois, tels que le chêne, le hêtre et le bois traité chimiquement ; amiante ou matériaux contenant de l'amiante. Déterminer l'exposition de l'opérateur et personnes se trouvant dans l'entourage en fonction de la classe de danger des matériaux traités. Prendre les mesures nécessaires pour maintenir l'exposition à un niveau sûr, par exemple en utilisant un système de collecte des poussières ou en portant une protection respiratoire appropriée. Mesures générales visant à réduire l'exposition :
  - ▶ Travailler dans un endroit bien ventilé
  - ▶ Éviter le contact prolongé avec la poussière
  - ▶ Faire en sorte que la poussière soit dirigée loin du visage et du corps
  - ▶ Porter des vêtements de protection et laver les zones exposées à l'eau et au savon
- ▶ Faire régulièrement des pauses et des exercices pour favoriser l'irrigation sanguine dans les doigts. En cas de travaux prolongés, les fortes vibrations peuvent perturber la circulation dans les vaisseaux sanguins ou le système nerveux dans les doigts, les mains ou le poignet.

#### Sécurité relative au système électrique

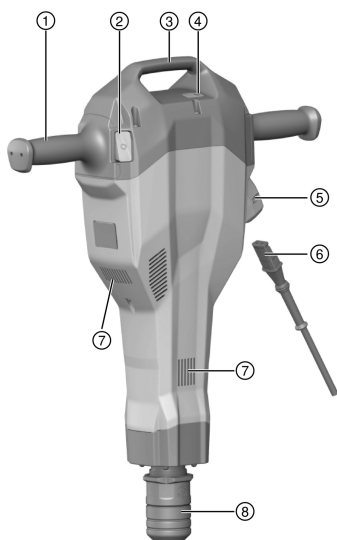
- ▶ Avant d'entamer le travail, vérifier qu'il n'y a pas de câbles ou gaines électriques, tuyaux de gaz ou d'eau cachés dans la zone d'intervention. Les parties métalliques externes du produit peuvent provoquer un choc électrique ou une explosion si vous endommagez une ligne électrique, une conduite de gaz ou une conduite d'eau.

#### Utilisation et emploi soigneux de l'outil électroportatif

- ▶ Ne mettez le produit en marche qu'après l'avoir mis en position de travail.
- ▶ Attendre l'arrêt complet du produit avant de le déposer.

## 3 Description

### 3.1 Vue d'ensemble de TE 2000-AVR 1



- ① Poignée
- ② Interrupteur Marche / Arrêt
- ③ Poignée de manutention
- ④ Indicateur de maintenance
- ⑤ Fiche du câble d'alimentation
- ⑥ Câble d'alimentation réseau enfichable
- ⑦ Ouïes d'aération
- ⑧ Mandrin

### 3.2 Vue d'ensemble – Chariot de transport 2

- ① Poignée
- ② Étrier de retenue



- ③ Support pour consommables (burin)
- ④ Roues
- ⑤ Fixation de sécurité de la roue (rondelle, goupille de retenue)
- ⑥ Mandrin porte-machine

### 3.3 Utilisation conforme à l'usage prévu

Le produit décrit est un burineur à guidage manuel. Il est destiné aux travaux de burinage dans le béton, la maçonnerie et l'asphalte. Il peut aussi être utilisé pour le pilonnage et le creusement.

L'appareil ne doit fonctionner qu'avec la tension réseau et la fréquence réseau indiquées sur la plaque signalétique.

### 3.4 Utilisation inappropriée prévisible

- L'appareil doit uniquement être utilisé dans un environnement sec.
- Ne pas utiliser l'appareil dans des endroits présentant un danger d'incendie et d'explosion.
- Ne pas travailler sur des matériaux susceptibles de nuire à la santé (par ex. amiante).

### 3.5 Active Vibration Reduction

Ce produit est équipé d'un système Active Vibration Reduction (AVR) qui réduit sensiblement les vibrations.

### 3.6 Indicateur de maintenance

Le burineur est doté d'un indicateur de maintenance avec signal lumineux.

État	Signification
L'indicateur de maintenance s'allume en rouge.	La durée de fonctionnement pour une maintenance est atteinte. Apporter le produit en temps voulu au S.A.V. <b>Hilti</b> afin d'assurer qu'il soit toujours opérationnel. Dommages sur l'appareil.
L'indicateur de maintenance clignote en rouge.	Protection contre les surchauffes La source d'alimentation électrique a une tension trop élevée.


### 3.7 Éléments livrés

Burineur, câble d'alimentation réseau enfichable, mode d'emploi, graisse. Le chariot de transport est proposé en option.

D'autres produits système autorisés pour votre produit peuvent être obtenus auprès du S.A.V. **Hilti** ou en ligne sous : [www.hilti.group](http://www.hilti.group)

## 4 Caractéristiques techniques

### 4.1 Burineur

 Les données de tension nominale, courant nominal, fréquence et / ou consommation nominale figurent sur la plaque signalétique spécifique au pays.

En cas d'utilisation avec un groupe électrogène ou un transformateur, leur puissance d'alimentation doit être au moins égale au double de la puissance indiquée sur la plaque signalétique de l'appareil. La tension de service du groupe électrogène ou du transformateur doit être toujours comprise entre +5 % et -15 % par rapport à la tension nominale de l'appareil.

	TE 2000-AVR
Génération de produit	01
Poids selon la procédure EPTA 01	14,5 kg
Cadence de percussion	30 Hz
Classe de protection	II



## 4.2 Valeurs d'émissions acoustiques et de vibrations

Les valeurs de pression acoustique et de vibrations mentionnées dans ces instructions ont été mesurées conformément à un procédé de mesure normalisé et peuvent être utilisées comme base de comparaison entre outils électroportatifs. Elles servent également à une évaluation préalable de l'exposition aux bruits et aux vibrations.

Les indications fournies correspondent aux principales applications de l'outil électroportatif. Ces données peuvent néanmoins différer si l'outil électroportatif est utilisé pour d'autres applications, avec des outils amovibles différents ou que l'entretien s'avère insuffisant. Ceci peut augmenter considérablement les contraintes d'exposition dans tout l'espace de travail.

Pour une évaluation précise des expositions, il convient également de prendre en compte les temps durant lesquels l'outil électroportatif est arrêté ou marche à vide. Cela peut réduire considérablement les contraintes d'exposition dans tout l'espace de travail.

Par ailleurs, il convient de prendre des mesures de sécurité supplémentaires en vue de protéger l'utilisateur des effets du bruit/ des vibrations, telles que : bien entretenir l'outil électroportatif ainsi que les outils amovibles, maintenir les mains chaudes, optimiser l'organisation des opérations.



De plus amples informations sur les versions des normes **EN 62841** appliquées ici sont fournies sur la copie de la déclaration de conformité 162.

### Valeurs d'émissions sonores

Niveau de puissance acoustique mesuré ( $L_{WA}$ )	96 dB(A)
Incertitude sur le niveau de puissance acoustique ( $K_{WA}$ )	3 dB(A)
Niveau de pression acoustique d'émission ( $L_{pA}$ )	88 dB(A)
Incertitude sur le niveau de pression acoustique ( $K_{pA}$ )	3 dB(A)

### Valeurs de vibrations

Burinage ( $a_{h, Cheq}$ )	3,9 m/s <sup>2</sup>
Incertitude (K)	1,5 m/s <sup>2</sup>

## 5 Utilisation

### 5.1 Préparatifs



#### ATTENTION

**Risque de blessures !** Mise en marche inopinée du produit.

- ▶ Retirer la fiche de la prise avant d'effectuer des réglages sur l'appareil ou de changer les accessoires.

Bien respecter les consignes de sécurité et les avertissements de la présente documentation ainsi que celles figurant sur le produit.

#### 5.1.1 Raccordement du câble d'alimentation à l'appareil



L'embout de câble à connexion rapide doit uniquement être raccordé à l'appareil s'il est propre, sec et hors tension. La connexion est codée.

1. Sortir le câble d'alimentation du carton de transport.
2. Introduire l'embout de câble dans l'appareil jusqu'à ce que le dispositif de blocage s'encliquette.
3. Brancher la fiche dans la prise.

#### 5.1.2 Mise en place de l'outil amovible

1. Débrancher la fiche de la prise.
2. Graisser légèrement l'emmanchement de l'outil amovible.
  - ▶ Utiliser exclusivement de la graisse **Hilti** d'origine. Une graisse inadéquate peut provoquer des dommages sur l'appareil.
3. Emmancher l'outil amovible à fond dans le porte-outil et le tourner en appuyant légèrement jusqu'à ce qu'il s'encliquette de manière audible.
4. Vérifier que l'outil est bien serré dans le dispositif de verrouillage en tirant dessus.



### 5.1.3 Retrait de l'outil amovible

#### ATTENTION

**Risque de blessures !** L'outil amovible peut être brûlant et / ou présenter des arêtes vives.

- ▶ Porter des gants de protection pour changer d'outil amovible.
- ▶ Ne jamais déposer un outil amovible chaud sur un support inflammable.

1. Débrancher la fiche de la prise.
2. Retirer le dispositif de verrouillage de l'outil jusqu'à la butée.
3. Retirer l'outil amovible.

## 5.2 Travail

#### AVERTISSEMENT

**Risque d'électrocution !** L'absence de fil de terre et disjoncteur différentiel peut entraîner de graves blessures ou brûlures.

- ▶ Toujours vérifier sur le chantier que le câble d'alimentation électrique, provenant du secteur ou d'un générateur, est bien muni d'un fil de terre et d'un disjoncteur différentiel, et qu'il est effectivement bien raccordé.
- ▶ Ne pas utiliser ce produit si ces mesures de sécurité n'ont pas été prises.

#### AVERTISSEMENT

**Danger engendré par un câble endommagé !** Si le câble d'alimentation réseau ou de rallonge est endommagé pendant le travail, ne pas le toucher. Débrancher la prise.

- ▶ Contrôler régulièrement les câbles de raccordement de l'appareil et les faire remplacer par un spécialiste s'ils sont endommagés.

Faire confirmer l'ensemble des travaux par le maître d'œuvre !

### 5.2.1 Burinage

1. Brancher la fiche dans la prise.
2. Mettre le burin dans la position souhaitée.
3. Appuyer sur l'interrupteur Marche / Arrêt.



Travaux à basses températures :

L'appareil nécessite une température de service minimale pour que le mécanisme de frappe fonctionne. Pour ce faire, poser un instant l'appareil sur le matériau support et le laisser tourner à vide. Répéter cette étape, si nécessaire, jusqu'à ce que le mécanisme de frappe fonctionne.

### 5.2.2 Arrêt

1. Appuyer sur l'interrupteur Marche / Arrêt.
2. Débrancher la fiche de la prise.

### 5.2.3 Procédure de travail



Le burin peut être bloqué dans 6 positions différentes (tous les 60°). Ainsi, que ce soit pour le burinage plat ou profilé, il est toujours possible de travailler dans la position optimale.

- ▶ Poser le burin à environ 80 à 100 mm (3 1/8" - 4") du bord.
- ▶ En cas d'armatures métalliques, toujours guider le burin vers le bord du matériel, jamais contre les armatures métalliques.
- ▶ Débuter l'opération de burinage avec un angle de 70° à 80° par rapport à la surface du béton et orienter la pointe vers le bord. Redresser à 90° et enlever le matériau.
- ▶ Tourner le burin de manière régulière car une usure uniforme favorise le processus d'auto-affûtage.
- ▶ Si la pression d'appui est insuffisante, le burin risque de sortir de sa position. Si la pression d'appui est trop élevée, il y a diminution de la puissance de burinage.



## 6 Option Chariot de transport

### 6.1 Transport

Le chariot de transport permet de transporter sans danger le burineur.

- Veiller à la stabilité du chariot de transport.
- Poser l'appareil sur le mandrin porte-machine prévu à cet effet et veiller à ce qu'il soit toujours bloqué à l'aide de l'étrier de retenue pendant le transport.
- Introduire le burin dans le support prévu à cet effet jusqu'à la position d'encliquetage.
- Choisir un trajet de transport sûr.
- Ne pas disposer le chariot de transport sur une surface inclinée.

## 7 Nettoyage et entretien

### AVERTISSEMENT

**Danger d'électrocution !** Les travaux de nettoyage et d'entretien effectués avec fiche branchée à la prise peuvent entraîner de graves blessures ou brûlures.

- ▶ Toujours retirer la fiche de la prise avant tous travaux de nettoyage et d'entretien !

#### Nettoyage

- Éliminer prudemment les saletés récalcitrantes.
- Nettoyer les ouïes d'aération avec précaution au moyen d'une brosse sèche.
- Nettoyer le boîtier uniquement avec un chiffon légèrement humidifié. Ne pas utiliser de nettoyeurs à base de silicone, ceci pourrait attaquer les pièces en plastique.

#### Entretien

### AVERTISSEMENT

**Risque d'électrocution !** Des réparations inappropriées sur des composants électriques peuvent entraîner de graves blessures corporelles et brûlures.

- ▶ Toute réparation des pièces électriques ne doit être effectuée que par un électricien qualifié.
- Vérifier régulièrement qu'aucune pièce visible n'est endommagée et que les organes de commande sont parfaitement opérationnels.
- En cas d'endommagements et/ou de dysfonctionnements, ne pas utiliser le produit. Le faire immédiatement réparer par le S.A.V. **Hilti**.
- Après des travaux de nettoyage et d'entretien, vérifier si tous les équipements de protection sont bien en place et fonctionnent parfaitement.



Pour une utilisation en toute sécurité, utiliser uniquement des pièces de rechange et consommables d'origine. Vous trouverez les pièces de rechange, consommables et accessoires autorisés convenant pour votre produit dans le centre **Hilti Store** ou sous : [www.hilti.group](http://www.hilti.group).

## 8 Aide au dépannage

En cas de défaillances non énumérées dans ce tableau ou auxquelles il n'est pas possible de remédier sans aide, contacter le S.A.V. **Hilti**.

### 8.1 Tableau des défaillances

Défaillance	Causes possibles	Solution
L'appareil ne se met pas en marche	Initialisation de l'électronique en cours (attendre jusqu'à 4 secondes environ après le branchement de la fiche dans la prise)	▶ Arrêter et remettre l'appareil en marche.
	Alimentation par secteur interrompue	▶ Brancher un autre appareil électrique, contrôler la fonction.
	Câble d'alimentation réseau ou fiche défectueux	▶ Faire vérifier par un électricien et, si nécessaire, remplacer.



Défaillance	Causes possibles	Solution
L'appareil ne se met pas en marche	Générateur en mode Veille	► Charger le générateur avec un second consommateur (p. ex. lampe de chantier). Ensuite, remettre l'appareil à l'arrêt et le remettre en marche.
Absence de percussion	Appareil trop froid	► L'appareil doit atteindre la température de service minimale.
	Appareil endommagé	► Faire réparer l'appareil par le S.A.V. <b>Hilti</b> .
L'appareil ne se met pas en marche ou s'arrête en cours de fonctionnement et l'indicateur clignote en rouge	Défaillance temporaire (par ex. surchauffe ou tension excessive)	► Arrêter l'appareil, le laisser refroidir et le brancher à une autre prise d'alimentation électrique.
L'appareil fonctionne mais l'indicateur est allumé en rouge en continu	Avertissement préalable d'entretien	► Confier les travaux d'entretien ou de réparation au S.A.V. <b>Hilti</b> .
L'appareil ne se met pas en marche ou s'arrête en cours de fonctionnement	Câble de rallonge trop long ou de section insuffisante	► Utiliser un câble de rallonge de longueur admissible et / ou de section suffisante.
	Câble d'alimentation pas correctement enfiché dans l'appareil.	► Brancher le câble d'alimentation enfichable correctement sur l'appareil électrique.

## 9 Recyclage

Les appareils **Hilti** sont fabriqués pour une grande partie en matériaux recyclables. Le recyclage présuppose un tri adéquat des matériaux. **Hilti** reprend les appareils usagés dans de nombreux pays en vue de leur recyclage. Consulter le service clients **Hilti** ou un conseiller commercial.



- Ne pas jeter les appareils électriques, électroniques et accus dans les ordures ménagères !

## 10 RoHS (directive relative à la limitation d'utilisation des substances dangereuses)

Le tableau des substances dangereuses est accessible au moyen du lien suivant : [qr.hilti.com/r6025050](http://qr.hilti.com/r6025050). Vous trouverez à la fin de cette documentation, sous forme de code QR, un lien menant au tableau RoHS.

## 11 Garantie constructeur

- En cas de questions sur les conditions de garantie, veuillez vous adresser à votre partenaire **Hilti** local.

# Original brugsanvisning

## 1 Om brugsanvisningen

### 1.1 Om denne brugsanvisning

- **Advarsel!** Før du bruger produktet, skal du sikre dig, at du har læst og forstået produktets medfølgende brugsanvisning inklusive anvisninger, sikkerhedsanvisninger og advarsler, billeder og specifikationer. Sørg især for at blive fortrolig med alle anvisninger, sikkerhedsanvisninger og advarsler, billeder, specifikationer samt bestanddele og funktioner. Hvis du ikke gør det, er der risiko for at få elektrisk stød, brandfare og/eller risiko for alvorlige personskader. Gem brugsanvisningen inklusive alle anvisninger, sikkerhedsanvisninger og advarsler til senere brug.
- **HILTI**-produkter er beregnet til professionel brug og må kun betjenes, efterses og vedligeholdes af autoriseret og instrueret personale. Dette personale skal i særdeleshed informeres om de potentielle farer, der er forbundet med anvendelsen af denne boltepistol. Der kan opstå farlige situationer ved anvendelse





af produktet og det tilhørende udstyr, hvis det anvendes af personer, der ikke er blevet undervist i dets brug, eller hvis det ikke anvendes korrekt i henhold til forskrifterne i denne brugsanvisning.

- Den medfølgende brugsanvisning svarer til den aktuelle tekniske standard på tidspunktet for trykningen. Du kan altid finde den aktuelle version online på Hiltis produktside. Følg linket eller QR-koden i denne brugsanvisning, der er markeret med symbolet .
- Sørg for, at denne brugsanvisning altid følger med ved overdragelse af produktet til andre.

## 1.2 Tegnforklaring

### 1.2.1 Advarsler

Advarsler advarer mod farer ved håndtering af produktet. Følgende signalord anvendes:



**FARE**

**FARE !**

- ▶ Betegner en umiddelbart truende fare, der kan medføre alvorlige kvæstelser eller døden.



**ADVARSEL**

**ADVARSEL !**

- ▶ Står ved en potentielt truende fare, der kan medføre alvorlige kvæstelser eller døden.



**FORSIGTIG**

**FORSIGTIG !**

- ▶ Advarer om en potentielt farlig situation, der kan forårsage personskader eller materielle skader.

### 1.2.2 Symboler i brugsanvisningen

Der benyttes følgende symboler i denne brugsanvisning:

	Se brugsanvisningen
	Anvisninger for anvendelse og andre nyttige oplysninger
	Håndtering af genvindbare materialer
	Elektriske maskiner og batterier må ikke bortskaffes som almindeligt husholdningsaffald

### 1.2.3 Symboler i illustrationer

Følgende symboler anvendes på illustrationer:

	Disse tal henviser til den pågældende illustration i begyndelsen af denne brugsanvisning.
	Nummereringen i illustrationerne henviser til vigtige arbejdsstrin eller for arbejdsstrin til vigtige komponenter. I teksten fremhæves disse arbejdsstrin eller komponenter med tilhørende numre, f.eks. (3).
	Positionsnumre anvendes i illustrationen <b>Oversigt</b> og refererer til tallene i symbolforklaringen i afsnittet <b>Produktoversigt</b> .
	Dette symbol skal sikre skærpet opmærksomhed ved omgang med produktet.

## 1.3 Produktspecifikke symboler

### 1.3.1 Symboler på produktet

Følgende symboler anvendes på produktet:

	Kapslingsklasse II (dobbeltisoleret)
	Serviceindikator



### 2.1 Generelle sikkerhedsanvisninger for elværktøj

**⚠ ADVARSEL** Læs alle sikkerhedsanvisninger, henvisninger, billedtekster og tekniske data på elværktøjet. Hvis følgende anvisninger ikke overholdes, er der risiko for elektrisk stød, brand og/eller alvorlige personskader.

**Opbevar alle sikkerhedsanvisninger og instruktioner til senere brug.**

Det benyttede begreb "elværktøj" i sikkerhedsanvisningerne refererer til elektriske maskiner (med netledning) eller batteridrevne maskiner (uden netledning).

#### Arbejdspladssikkerhed

- ▶ **Sørg for at holde arbejdsområdet ryddeligt og godt oplyst.** Uorden eller uoplyste arbejdsområder øger faren for uheld.
- ▶ **Brug ikke elværktøj i eksplosionstruede omgivelser, hvor der er brændbare væsker, gasser eller støv.** Elværktøj kan slå gnister, der kan antænde støv eller dampe.
- ▶ **Sørg for, at andre personer og ikke mindst børn holdes væk fra arbejdsområdet, når elværktøjet er i brug.** Hvis man distraheres, kan man miste kontrollen over maskinen.

#### Elektrisk sikkerhed

- ▶ **Elværktøjets stik skal passe til kontakten. Stikket må under ingen omstændigheder ændres. Brug ikke adapterstik sammen med jordforbundne elværktøj.** Uændrede stik, der passer til kontakterne, nedsætter risikoen for elektrisk stød.
- ▶ **Undgå kropskontakt med jordforbundne overflader som f.eks. rør, radiatorer, komfurer og køleskabe.** Hvis din krop er jordforbundet, øges risikoen for elektrisk stød.
- ▶ **Elværktøj må ikke udsættes for regn eller fugt.** Indtrængning af vand i elværktøj øger risikoen for elektrisk stød.
- ▶ **Brug ikke ledningen til formål, den ikke er beregnet til (f.eks. må man aldrig bære elværktøjet i ledningen, hænge det op i ledningen eller rykke i ledningen for at trække stikket ud af kontakten).** Beskyt ledningen mod varme, olie, skarpe kanter eller dele, der er i bevægelse. Beskadigede eller sammenviklede ledninger øger risikoen for elektrisk stød.
- ▶ **Hvis elværktøjet benyttes i det fri, må der kun benyttes en forlængerledning, der er egnet til udendørs brug.** Brug af forlængerledning til udendørs brug nedsætter risikoen for elektrisk stød.
- ▶ **Hvis det ikke kan undgås at anvende elværktøjet i fugtige omgivelser, skal du anvende et fejlstrømsrelæ.** Anvendelsen af et fejlstrømsrelæ nedsætter risikoen for et elektrisk stød.

#### Personlig sikkerhed

- ▶ **Det er vigtigt at være opmærksom, se, hvad man laver, og bruge maskinen fornuftigt. Anvend aldrig elværktøj, hvis du er træt eller påvirket af stoffer, alkohol eller medicin.** Et øjeblik uopmærksomhed under brugen af elværktøjet kan medføre alvorlige personskader.
- ▶ **Brug beskyttelsesudstyr, og hav altid beskyttelsesbriller på.** Brug af sikkerhedsudstyr som f.eks. støvmaske, skridsikkert fodtøj, beskyttelseshjelm eller høreværn afhængigt af elværktøjets type og anvendelse nedsætter risikoen for personskader.
- ▶ **Undgå utilsigtet igangsætning. Kontrollér, at elværktøjet er frakoblet, før du slutter det til strømforsyningen og/eller batteriet, tager det op eller transporterer det.** Undgå at bære elværktøjet med fingeren på afbryderen, og sørg for, at det ikke er tændt, når det slutes til nettet, da dette øger risikoen for personskader.
- ▶ **Fjern indstillingsværktøj eller skruenøgler, inden elværktøjet tændes.** Hvis et stykke værktøj eller en nøgle sidder i en roterende maskindel, er der risiko for personskader.
- ▶ **Undgå at arbejde i unormale kroppsstillinger. Sørg for at stå sikkert, mens der arbejdes, og kom ikke ud af balance.** Det er derved nemmere at kontrollere elværktøjet, hvis der skulle opstå uventede situationer.
- ▶ **Brug egnet arbejdstøj. Undgå løse beklædningsgenstande eller smykker. Hold hår, tøj og handsker væk fra dele, der bevæger sig.** Dele, der er i bevægelse, kan gribe fat i løstsiddende tøj, smykker eller langt hår.
- ▶ **Hvis støvudsugnings- og opsamlingsudstyr kan monteres, er det vigtigt, at dette tilsluttes og benyttes korrekt.** Ved at anvende en støvudsugning er det muligt at nedsætte risiciene som følge af støv.
- ▶ **Man må ikke ignorere sikkerhedsreglerne for elværktøj, heller ikke selvom man er fortrolig med brugen af elværktøjet.** Uagtsomhed kan medføre alvorlig tilskadekomst inden for få sekunder.



## Anvendelse og pleje af elværktøjet

- ▶ **Undgå at overbelaste maskinen. Brug altid en maskine, der er beregnet til det stykke arbejde, der skal udføres.** Med det rigtige værktøj arbejder man bedst og mest sikkert inden for det angivne effektområde.
- ▶ **Brug ikke elværktøj, hvis afbryderen er defekt.** En maskine, der ikke kan startes og stoppes, er farlig og skal repareres.
- ▶ **Træk stikket ud af stikkontakten, og/eller fjern batteriet fra maskinen, inden du foretager indstillinger på den, skifter tilbehør og dele eller lægger den til side.** Disse sikkerhedsforanstaltninger forhindrer utilsigtet start af elværktøjet.
- ▶ **Opbevar ubenyttede elværktøjer uden for børns rækkevidde. Lad aldrig personer, der ikke er fortrolige med maskinen eller ikke har gennemlæst sikkerhedsanvisningerne, benytte denne.** Elværktøj er farligt, hvis det benyttes af ukyndige personer.
- ▶ **Sørg for at pleje elværktøj omhyggeligt. Kontrollér, om bevægelige dele fungerer korrekt og ikke sidder fast, og om delene er brækket eller beskadiget, således at elværktøjets funktion påvirkes. Få beskadigede dele repareret, inden elværktøjet tages i brug.** Mange uheld skyldes dårligt vedligeholdte elværktøjer.
- ▶ **Sørg for, at skæreværktøjer er skarpe og rene.** Omhyggeligt vedligeholdte skæreværktøjer med skarpe skærekanter sætter sig ikke så hurtigt fast og er nemmere at føre.
- ▶ **Anvend elværktøj, tilbehør, indsatsværktøj osv. i overensstemmelse med disse anvisninger. Tag hensyn til arbejdsforholdene og det arbejde, der skal udføres.** I tilfælde af anvendelse af maskinen til formål, som ligger uden for det fastsatte anvendelsesområde, kan der opstå farlige situationer.
- ▶ **Sørg for, at greb og gribeflader er tørre, rene og fri for olie og fedt.** Glatte greb og gribeflader gør betjeningen usikker, og det kan være svært at styre elværktøjet i uforudsete situationer.

## Service

- ▶ **Sørg for, at elværktøjet kun repareres af kvalificerede fagfolk, og at der altid benyttes originale reservedele.** Dermed sikres størst mulig elværktøjssikkerhed.

## 2.2 Sikkerhedsanvisninger til hamre

### Sikkerhedsanvisninger for alle opgaver

- ▶ **Brug høreværn.** Støjpåvirkningen kan medføre høretab.
- ▶ **Brug de ekstrahåndgreb, som følger med maskinen.** Hvis du mister kontrollen, kan det medføre personskader.
- ▶ **Hold kun maskinen i de isolerede håndtag, når du udfører arbejder, hvor indsatsværktøjet kan ramme skjulte elledninger eller maskinens netkabel.** Ved kontakt med en spændingsførende ledning kan også metalliske værktøjsdele sættes under spænding, hvilket kan medføre elektrisk stød.

## 2.3 Yderligere sikkerhedsanvisninger, mejselhammer

### Personlig sikkerhed

- ▶ Anvend kun produktet og tilbehør i teknisk fejlfri stand.
- ▶ Foretag aldrig manipulationer eller ændringer på produkt eller tilbehør.
- ▶ Ved mejsling af lofter, vægge og gulve er det vigtigt at stå sikkert og stabilt. Hvis værktøjet pludselig går igennem, kan du miste balancen!
- ▶ Ved gennembrydningsarbejde skal du huske at sikre området på den modsatte side. Nedbrydningsdele kan falde ud og/eller ned og volde skade på andre personer.
- ▶ Sørg for, at du selv og personer, som opholder sig i nærheden under brugen af maskinen, anvender egnede beskyttelsesbriller, sikkerhedshjelm, høreværn, beskyttelseshandsker og et let åndedrætsværn.
- ▶ Brug beskyttelseshandsker, når du skifter værktøj. Berøring af indsatsværktøjet kan medføre snitsår og forbrændinger.
- ▶ Brug øjenværn. Splinterne fra materialet kan medføre skader på legeme og øjne.
- ▶ Støv, der dannes ved slibning, skæring og boring, kan indeholde farlige kemikalier. Nogle eksempler er: Bly eller maling på blybasis; Tegl, beton og andre murværksprodukter, natursten og andre silikatholdige produkter; Bestemte træsorter som eg, bøg og kemisk behandlet træ; Asbest eller asbestholdige materialer. Bestem eksponeringen for brugeren og omkringstående personer ved hjælp af fareklassen for de materialer, der arbejdes på. Træf de nødvendige foranstaltninger for at holde eksponeringen på et sikkert niveau, f.eks. ved at bruge et støvopsamlingsystem eller brug af et passende åndedrætsværn. Generelle foranstaltninger til at reducere eksponeringen omfatter bl.a.:
  - ▶ Arbejde i et godt ventileret område,
  - ▶ Undgå længere tids kontakt med støv,



- ▶ Lede støv bort fra ansigt og krop,
- ▶ Bruge beskyttende beklædning og vaske eksponerede områder med vand og sæbe.
- ▶ Hold hyppigt pauser, og lav øvelser, så fingrene får bedre blodgennemstrømning. Ved længerevarende arbejde kan vibrationer medføre forstyrrelser af fingrenes, hændernes eller håndleddenes blodkar og nervesystem.

### Elektrisk sikkerhed

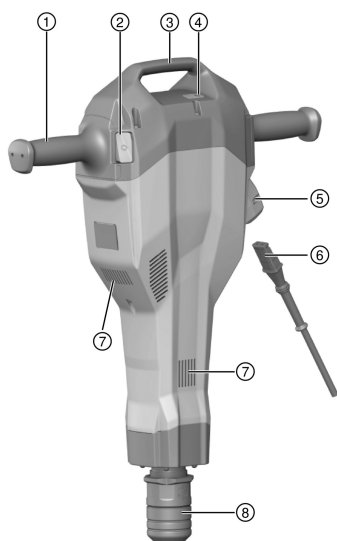
- ▶ Kontrollér før påbegyndelse af arbejdet arbejdsområdet for skjulte elektriske ledninger, gas- og vandrør, f.eks. med en metaldektor. Uvendige metaldele på produktet kan medføre elektrisk stød eller forårsage en eksplosion, hvis r du beskadiger en elledning, et gasrør eller et vandrør.

### Omhyggelig omgang med og brug af elværktøj

- ▶ Tænd først produktet, når du har bragt det i arbejdsposition.
- ▶ Vent, indtil produktet er standset helt, før du lægger det fra dig.

## 3 Beskrivelse

### 3.1 Oversigt over TE 2000-AVR 1



- ① Håndgreb
- ② Tænd/sluk-knap
- ③ Bæregreb
- ④ Serviceindikator
- ⑤ Netkabelstik
- ⑥ Aftageligt netkabel
- ⑦ Ventilationsåbninger
- ⑧ Værktøjsholder

### 3.2 Oversigt over transportvogn 2

- ① Håndtag
- ② Låsebøjle
- ③ Holder til forbrugsmateriale (mejsel)
- ④ Hjul
- ⑤ Hjulsikring (skive, split)
- ⑥ Holdedorn

### 3.3 Bestemmelsesmæssig anvendelse

Det beskrevne produkt er en håndført mejselhammer. Den er beregnet til mejsling i beton, murværk og asfalt. Den kan også bruges til stampning og gravning.

Maskinen må kun sluttes til den netspænding og -frekvens, som er angivet på typeskiltet.

### 3.4 Forudsigtelig forkert brug

- Maskinen må kun anvendes i tørre omgivelser.
- Brug ikke maskinen, hvis der er risiko for brand og eksplosion.
- Det er ikke tilladt at bearbejde sundhedsfarlige materialer, f.eks. asbest.



### 3.5 Active Vibration Reduction

Produktet er udstyret med et Active Vibration Reduction (AVR)-system, som reducerer vibrationsniveauet markant.

### 3.6 Serviceindikator

Mejselhammeren er udstyret med en serviceindikator med lyssignal.

Tilstand	Betydning
Serviceindikatoren lyser rødt.	Tidspunktet for service er nået. Indlever rettidigt produktet til <b>Hilti Service</b> , så det altid er klar til brug. Skade på maskinen.
Serviceindikatoren blinker rødt.	Overophedningsbeskyttelse Strømforsyningen har for høj spænding.

### 3.7 Leveringsomfang

Mejselhammer, aftageligt netkabel, brugsanvisning, fedt. Transportvognen fås som tilbehør.

Andre systemprodukter, som er godkendt til dit produkt, finder du i dit **Hilti Center** eller online på adressen [www.hilti.group](http://www.hilti.group)

## 4 Tekniske data

### 4.1 Mejselhammer



Nominal spænding, nominal strøm, frekvens og / eller nominelt strømförbrug fremgår af det landespecifikke typeskilt.

Ved drift på en generator eller transformator skal dennes udgangseffekt være mindst dobbelt så høj som det nominelle strømförbrug, der fremgår af maskinens typeskilt. Transformatorens eller generatorens driftsspænding skal til enhver tid ligge inden for +5 % og -15 % af maskinens nominelle spænding.

	TE 2000-AVR
<b>Produktgeneration</b>	01
<b>Vægt i henhold til EPTA-procedure 01</b>	14,5 kg
<b>Slagtal</b>	30 Hz
<b>Kapslingsklasse</b>	II

### 4.2 Støjinformation og vibrationsværdier

Lydtryk- og vibrationsværdier i denne brugsanvisning er målt i henhold til en standardiseret målemetode og kan anvendes til sammenligning af forskellige elværktøjer. De kan også anvendes til en foreløbig vurdering af den eksponering, brugeren udsættes for.

De anførte data repræsenterer elværktøjets primære anvendelsesformål. Hvis elværktøjet imidlertid anvendes til andre formål, med andre indsatsværktøjer eller utilstrækkelig vedligeholdelse, kan dataene afvige. Dette kan forøge den eksponering, som brugeren udsættes for, i hele arbejdstiden markant.

For at opnå en præcis vurdering af den eksponering, som brugeren udsættes for, bør også den tid, hvor elværktøjet er slukket eller blot kører uden at blive anvendt, inddrages. Dette kan reducere den eksponering, som brugeren udsættes for, i hele arbejdstiden markant.

Fastlæg yderligere sikkerhedsforanstaltninger til beskyttelse af brugeren mod støj- og/eller vibrationspåvirkninger, f.eks. er det vigtigt at vedligeholde elværktøj og indsatsværktøj, at holde hænderne varme og at organisere arbejdsprocesserne.



Du finder detaljerede oplysninger om de anvendte versioner af de **EN 62841**-standarder, der skal anvendes, på billedet af overensstemmelseserklæringen 162.



**Støjemissionsværdier**

Målt lydeffektniveau ( $L_{WA}$ )	96 dB(A)
Usikkerhed, lydeffektniveau ( $K_{WA}$ )	3 dB(A)
Lydtrykniveau ( $L_{pA}$ )	88 dB(A)
Usikkerhed, lydtrykniveau ( $K_{pA}$ )	3 dB(A)

**Vibrationsværdier**

Mejsling ( $a_{h, Cheq}$ )	3,9 m/s <sup>2</sup>
Usikkerhed (K)	1,5 m/s <sup>2</sup>

**5 Betjening****5.1 Forberedelse af arbejdet****⚠ FORSIGTIG**

**Fare for personskader!** Utilsigtet start af produktet.

- ▶ Træk stikket ud af stikkontakten, inden du foretager indstillinger eller skifter tilbehørsdele.

Følg sikkerheds- og advarselshenvisningerne i denne dokumentation og på produktet.


**5.1.1 Tilslutning af netkabel til maskinen **

Den aftagelige stikforbindelse må kun forbindes med produktet i ren, tør og spændingsfri tilstand. Forbindelsen er kodet.

1. Tag netkablet ud af transportkassen.
2. Sæt stikket i maskinen, indtil låsemekanismen går hørbart i indgreb.
3. Sæt stikket i stikkontakten.

**5.1.2 Isætning af indsatsværktøj **

1. Træk stikket ud af stikkontakten.
2. Smør indsatsværktøjets indstiksende med et tyndt lag fedt.
  - ▶ Anvend kun originalt fedt fra **Hilti**. En forkert fedttype kan medføre skader på maskinen.
3. Stik indsatsværktøjet ind i værktøjsholderen, og drej det, mens du forsigtigt trykker det ind, indtil det går i indgreb.
4. Kontrollér, at værktøjet sidder sikkert fast ved at trække i det.

**5.1.3 Udtagning af indsatsværktøj ****⚠ FORSIGTIG**

**Fare for personskader!** Indsatsværktøjet kan være meget varmt og/eller have skarpe kanter.

- ▶ Brug beskyttelseshandsker ved skift af indsatsværktøjet.
- ▶ Læg aldrig et meget varmt indsatsværktøj på et brændbart underlag.

1. Træk stikket ud af stikkontakten.
2. Træk værktøjslåsen tilbage indtil anslag.
3. Tag indsatsværktøjet ud.

**5.2 Arbejde****⚠ ADVARSEL**

**Fare for elektrisk stød!** Manglende jordleder og fejlstrømsrelæ kan medføre alvorlige personskader og forbrændinger.

- ▶ Kontrollér, at den elektriske tilledning på byggepladsen, hvad enten den kommer fra elnettet eller en generator, altid er forsynet med en jordleder og et fejlstrømsrelæ, og at den er tilsluttet disse.
- ▶ Sæt aldrig noget produkt i drift uden disse sikkerhedsforanstaltninger.



**⚠ ADVARSEL**

**Fare på grund af beskadigede ledninger!** Hvis el- eller forlængerledningen bliver beskadiget under arbejdet, må du ikke røre ved ledningen. Træk stikket ud.

- ▶ Kontrollér maskinens tilslutningsledning regelmæssigt, og få den udskiftet, hvis den er beskadiget.

Sørg for at få byggeledelsens fulde tilladelse til arbejdet.

**5.2.1 Mejsling**

1. Sæt stikket i stikkontakten.
2. Sæt mejslen i den ønskede position.
3. Tryk på afbryderen.



Arbejde ved lave temperaturer:

Maskinens slagmekanisme kan kun arbejde over en bestemt minimumtemperatur. For at opnå denne skal du kortvarigt sætte maskinen på underlaget og lade den køre i tomgang. Gentag om nødvendigt dette, indtil slagmekanismen fungerer.

**5.2.2 Frakobling**

1. Tryk på afbryderen.
2. Træk stikket ud af stikkontakten.

**5.2.3 Arbejdsanvisninger **

Mejslen kan indstilles i 6 forskellige positioner (i trin på 60°). Dette gør, at man med flad- og formmejsler altid kan arbejde i den korrekte arbejdsstilling.

- ▶ Sæt mejslen på ca. 80-100 mm (3 1/8" - 4") fra kanten.
- ▶ Ved armeringsjern skal du altid føre mejslen hen imod kanten af materialet, ikke hen imod armeringsjernet.
- ▶ Begynd mejselarbejdet i en vinkel på 70° til 80° i forhold til betonoverfladen, og ret spidsen hen imod kanten. Bevæg derefter vinklen i retning af 90°, og bryd materialet løs.
- ▶ Drej regelmæssigt mejslen, da en ensartet slitage understøtter selvslibningsprocessen.
- ▶ Hvis du ikke trykker hårdt nok, hopper mejslen. Hvis du trykker for hårdt, nedsættes mejsleeffekten.

**6 Ekstratilbehør transportvogn****6.1 Transport**

Transportvognen sikrer en risikofri transport af mejselhammeren.

- Sørg for, at transportvognen står på et stabilt underlag.
- Sæt maskinen på den dertil beregnede holdedorn, og fastgør den under transporten altid med holdebjøllen.
- Stik mejslen i den dertil beregnede holder, indtil den går i indgreb.
- Vælg sikre transportveje.
- Stil ikke transportvognen på skrånende underlag.

**7 Rengøring og vedligeholdelse****⚠ ADVARSEL**

**Fare på grund af elektrisk stød!** Pleje og vedligeholdelse med isat netstik kan medføre alvorlige personskader og forbrændinger.

- ▶ Træk altid netstikket ud før alle pleje- og vedligeholdelsesarbejder!

**Pleje**

- Fjern forsigtigt fastsiddende snavs.
- Rengør forsigtigt ventilationsåbningerne med en tør børste.
- Rengør kun kabinettet med en let fugtet klud. Undlad at anvende silikoneholdige plejemidler, da de kan angribe plastdelene.



## Vedligeholdelse

### ADVARSEL

**Fare for elektrisk stød!** Fagmæssigt ukorrekte reparationer på elektriske dele kan medføre alvorlige personskader og forbrændinger.

► Reparationer på eldelene må kun udføres af en elektriker.

- Kontrollér regelmæssigt alle synlige dele for skader, og at betjeningselementerne fungerer fejlfrit.
- Anvend ikke produktet i tilfælde af beskadigelse og/eller funktionsfejl. Få omgående udført reparation hos **Hilti Service**.
- Monter alle beskyttelsesanordninger efter pleje- og vedligeholdelsesarbejder, og kontrollér dem for funktion.

Anvend kun originale reservedele og forbrugsmaterialer af hensyn til en sikker drift. Reservedele, forbrugsmaterialer og tilbehør til dit produkt, som vi har godkendt, finder du i dit **Hilti Store Center** eller under: [www.hilti.group](http://www.hilti.group).

## 8 Fejlafhjælpning

Ved fejl, som ikke fremgår af denne tabel, eller som du ikke selv kan afhjælpe, beder vi dig om at kontakte **Hilti Service**.

### 8.1 Fejltabel

Fejl	Mulig årsag	Løsning
Maskinen starter ikke.	Elektronikken initialiseres (op til ca. 4 sekunder fra isætning af stikket)	► Sluk og tænd maskinen igen.
	Netstrømforsyningen afbrudt	► Slut noget andet elværktøj til, og kontrollér funktionen.
	Netledning eller stik defekt	► Lad en elektriker foretage kontrol og om nødvendigt udskiftning.
	Generator med Sleep Mode	► Belast generatoren med endnu en forbruger (f.eks. en arbejds-lampe). Tænd og sluk derefter maskinen.
Ingen slagfunktion	Maskinen er for kold	► Bring maskinen op på minimumdriftstemperatur
	Skade på maskinen	► Få maskinen repareret af <b>Hilti Service</b> .
Maskinen starter ikke eller slukker under brugen, og indikatoren blinker rødt	Midlertidig fejl (f.eks. overophedning eller overspænding)	► Sluk maskinen, lad den køle af, eller slut den til en anden strømforsyning.
Maskinen kører, men indikatoren lyser konstant rødt	Advarsel om snarlig service	► Få service eller reparation udført af <b>Hilti Service</b> .
Maskinen starter ikke eller slukker under brugen	Forlængerledning for lang eller med for lille tværsnit	► Anvend en forlængerledning med godkendt længde og tilstrækkeligt tværsnit.
	Aftageligt netkabel ikke isat korrekt.	► Tilslut det aftagelige netkabel korrekt på den elektriske maskine.

## 9 Bortskaffelse

Størstedelen af de materialer, som anvendes ved fremstillingen af **Hilti**-produkter, kan genvindes. Materialerne skal sorteres, før de kan genvindes. I mange lande modtager **Hilti** dine udtjente maskiner med henblik på genvinding. Spørg **Hilti** kundeservice eller din forhandler.







- ▶ Elværktøj, elektriske maskiner og batterier må ikke bortskaffes sammen med almindeligt husholdningsaffald!

## 10 RoHS (direktiv til begrænsning af anvendelsen af farlige stoffer)

Under følgende link finder du tabellen med farlige stoffer: [qr.hilti.com/r6025050](http://qr.hilti.com/r6025050).

Et link til RoHS-tabellen finder du i slutningen af denne dokumentation som QR-kode.


## 11 Producentgaranti

- ▶ Hvis du har spørgsmål vedrørende garantibetingelserne, bedes du henvende dig til din lokale **Hilti**-partner.

# Originalbruksanvisning

## 1 Anvisningar om bruksanvisning

### 1.1 Om denna bruksanvisning

- **Varning!** Innan du använder produkten ska du se till att du har läst och förstått den bruksanvisning som medföljer produkten, inklusive instruktioner, säkerhets- och varningsanvisningar, bilder och specifikationer. Gör dig särskilt förtrogen med alla anvisningar, säkerhets- och varningsanvisningar, bilder, specifikationer samt beståndsdelar och funktioner. Vid underlåtenhet att göra detta finns fara för elstöt, brand och/eller allvarliga personskador. Spara bruksanvisningen med alla anvisningar, säkerhets- och varningsanvisningar för senare användning.
- **HILTI**-produkter är avsedda för professionella användare och får endast användas, underhållas och repareras av auktoriserad, utbildad personal. Personalen måste vara särskilt informerad om de risker som finns. Produkten och dess tillbehör kan utgöra en risk om den används på ett felaktigt sätt av utbildad personal eller inte används enligt föreskrifterna.
- Den bifogade bruksanvisningen motsvarar den aktuella tekniska nivån vid tidpunkten för tryckningen. Du hittar alltid den senaste versionen online på Hiltis produktsida. Följ länken eller QR-koden i denna bruksanvisning, som är markerad med symbolen .
- Produkten bör endast överlämnas till andra personer tillsammans med denna bruksanvisning.

### 1.2 Teckenförklaring

#### 1.2.1 Varningar

Varningarna är till för att varna för risker i samband med användning av produkten. Följande riskindikeringar används:

 **FARA**

**FARA !**

- ▶ Anger överhängande risker som kan leda till svåra personskador eller dödsolycka.

 **VARNING**

**VARNING !**

- ▶ Anger potentiella risker som kan leda till svåra personskador eller dödsfall.

 **FÖRSIKTIGHET**

**FÖRSIKTIGHET !**

- ▶ Används för att uppmärksamma om en potentiell risksituation som kan leda till skador på person eller utrustning.

#### 1.2.2 Symboler i bruksanvisningen

I den här bruksanvisningen används följande symboler:



	Observera bruksanvisningen
	Anmärkningar och annan praktisk information
	Hantering av återvinningsbara material
	Elverktyg och batterier får inte kastas i hushållssoporna

### 1.2.3 Symboler i bilderna

Följande symboler används i bilder:

	Dessa siffror hänvisar till motsvarande bild i början av bruksanvisningen.
	Numreringen i bilderna hänvisar till viktiga arbetsmoment eller viktiga komponenter för arbetsmomenten. I texten framhävs dessa arbetsmoment eller komponenter med motsvarande nummer, t.ex. (3).
	I bilden <b>Översikt</b> används positionsnummer och hänvisar till siffrorna i teckenförklaringen i avsnittet <b>Produktöversikt</b> .
	Det här tecknet är till för att du ska vara extra uppmärksam på något som gäller hur du hanterar produkten.

## 1.3 Produktberoende symboler

### 1.3.1 Symboler på produkten

Följande symboler används på produkten:

	Skyddstyp II (dubbelisolerad)
	Serviceindikator

## 2 Säkerhet

### 2.1 Allmänna säkerhetsföreskrifter för elverktyg

**⚠ VARNING** Läs noga igenom alla säkerhetsföreskrifter, anvisningar, avbildningar och tekniska data som medföljer detta elverktyg. Om nedanstående anvisningar inte följs, finns risk för elektriska stötar, brand och/eller svåra skador.

**Förvara alla säkerhetsföreskrifter och anvisningarna på ett säkert ställe för framtida användning.**

Begreppet "elverktyg" som används i säkerhetsföreskrifterna avser nätdrivna elverktyg (med nätkabel) och batteridrivna elverktyg (sladdlösa).

#### Säker arbetsmiljö

- ▶ **Håll arbetsområdet rent och väl belyst.** Oordning eller bristfällig belysning på arbetsplatsen kan leda till olyckor.
- ▶ **Arbeta inte med elverktyget i omgivningar med explosionsrisk där det finns brännbara vätskor, gaser eller damm.** Elverktyg alstrar gnistor som kan antända dammet eller gaserna.
- ▶ **Håll barn och obehöriga personer på betryggande avstånd under arbetet med elverktyget.** Om du störs av obehöriga personer kan du förlora kontrollen över verktyget.

#### Elsäkerhet

- ▶ **Elverktygets elkontakt måste passa till vägguttaget. Elkontakten får absolut inte ändras. Använd inte adapterkontakter tillsammans med skyddsjordade elverktyg.** Originalkontakter och lämpliga vägguttag minskar risken för elstötar.
- ▶ **Undvik kroppskontakt med jordade ytor som rör, värmeelement, spisar och kylskåp.** Det finns en större risk för elstötar om din kropp är jordad.
- ▶ **Skydda elverktyget från regn och väta.** Tränger vatten in i ett elverktyg ökar risken för elstötar.
- ▶ **Använd inte anslutningskabeln på ett felaktigt sätt, t.ex. genom att bära eller hänga upp elverktyget i den eller dra i den för att lossa elkontakten ur vägguttaget. Håll anslutningskabeln på avstånd från värmekällor, olja, vassa kanter och rörliga delar.** Skadade eller tilltrasslade anslutningskablar ökar risken för elstötar.



- ▶ **När du arbetar med ett elverktyg utomhus, använd endast förlängningskablar som är avsedda för utomhusbruk.** Genom att använda en lämplig förlängningskabel för utomhusbruk minskar du risken för elstötar.
- ▶ **Om det är alldeles nödvändigt att använda verktyget i fuktig miljö ska du använda en jordfelsbrytare.** Användning av jordfelsbrytare minskar risken för elstötar.

#### **Personsäkerhet**

- ▶ **Var uppmärksam, ha uppsikt över vad du gör och använd elverktyget med förnuft. Använd aldrig elverktyg om du är trött eller påverkad av droger, alkohol eller medicin.** En kort sekund av bristande uppmärksamhet när du arbetar med ett elverktyg kan leda till att du skadar dig själv eller någon annan svårt.
- ▶ **Bär alltid personlig skyddsutrustning och skyddsglasögon.** Genom att använda personlig skyddsutrustning som t.ex. dammskyddsmask, halkfria säkerhetsskor, hjälm eller hörselskydd, beroende på vilket elverktyg du använder och till vad, minskar du risken för kroppsskada.
- ▶ **Undvik oavsiktlig igångsättning. Se till att elverktyget är frånkopplat innan du ansluter det till nätströmmen och/eller batteriet, tar upp det eller bär det.** Om du bär elverktyget med fingret på strömbrytaren eller ansluter ett tillkopplat verktyg till nätströmmen kan en olycka inträffa.
- ▶ **Ta bort alla inställningsverktyg och skruvnycklar innan du kopplar in elverktyget.** Ett verktyg eller en nyckel i en roterande komponent kan leda till skador.
- ▶ **Undvik en onormal kroppshållning. Se till att du står stadigt och håller balansen.** Då kan du lättare kontrollera elverktyget i oväntade situationer.
- ▶ **Bär lämpliga kläder. Bär inte löst hängande kläder eller smycken. Håll håret, kläderna och handskarna på avstånd från rörliga delar.** Löst hängande kläder, smycken och långt hår kan dras in av roterande delar.
- ▶ **När du använder elverktyg med anordningar för uppsugning och uppsamling av damm, bör du kontrollera att dessa anordningar är rätt monterade och används korrekt.** Används en dammsugare kan faror som orsakas av damm minskas.
- ▶ **Invagga dig inte i falsk säkerhet och strunta inte säkerhetsreglerna för elverktyg även om du har stor vana vid att arbeta med elverktyget.** Oförsiktig hantering kan leda till allvarliga skador inom bråkdelar av en sekund.

#### **Användning och hantering av elverktyg**

- ▶ **Överbelasta inte verktyget. Använd elverktyg som är avsedda för det aktuella arbetet.** Med ett lämpligt elverktyg kan du arbeta bättre och säkrare inom angivet effektområde.
- ▶ **Använd aldrig elverktyget om strömbrytaren är defekt.** Ett elverktyg som inte kan kopplas in eller ur är farligt och måste repareras.
- ▶ **Dra ut elkontakten ur uttaget och/eller ta i förekommande fall bort det löstagbara batteriet innan du gör inställningar, byter tillbehör eller lägger ifrån dig verktyget.** Denna skyddsåtgärd förhindrar att du eller någon annan råkar sätta igång elverktyget av misstag.
- ▶ **Förvara elverktyg oåtkomligt för barn. Verktyget får inte användas av personer som inte är vana eller inte har läst dessa anvisningar.** Elverktyg är farliga om de används av oerfarna personer.
- ▶ **Underhåll elverktygen och tillbehören noggrant. Kontrollera att rörliga komponenter fungerar felfritt och inte kärvar och att komponenter inte har brustit eller skadats så att elverktygets funktion påverkas negativt. Se till att skadade delar repareras innan verktyget används igen.** Många olyckor orsakas av dåligt skötta elverktyg.
- ▶ **Håll insatsverktygen skarpa och rena.** Omsorgsfullt skötta insatsverktyg med skarpa egg kommer inte så lätt i kläm och går lättare att styra.
- ▶ **Använd elverktyg, tillbehör, insatsverktyg osv. enligt dessa anvisningar. Ta hänsyn till arbetsvillkoren och arbetsmomenten.** Används elverktyget på icke ändamålsenligt sätt kan farliga situationer uppstå.
- ▶ **Se till att handtaget och greppytorna är torra, rena och fria från olja och fett.** Med hala handtag och gripnyttor går det inte att hantera och kontrollera elverktyget säkert i oväntade situationer.

#### **Service**

- ▶ **Låt endast kvalificerad fackpersonal reparera elverktyget och använd då endast originalreservdelar.** Detta garanterar att elverktygets säkerhet upprätthålls.

## **2.2 Säkerhetsföreskrifter för hammare**

### **Säkerhetsanvisningar för alla arbeten**

- ▶ **Bär hörselskydd.** Buller kan leda till hörselskador.
- ▶ **Använd de extrahandtag som levereras tillsammans med verktyget.** Tappar du kontrollen över verktyget kan det leda till skador.



- ▶ **Håll i verktygets isolerade greppytor vid arbeten där du riskerar att träffa dolda elkablar eller den egna nätkabeln.** Vid kontakt med en spänningssatt ledning kan metalldelar på verktyget spänningssättas och ge dig en stöt.

## 2.3 Ytterligare säkerhetsanvisningar för mejselhammare

### Personsäkerhet

- ▶ Använd endast produkten och dess tillbehör om de är fullt funktionsdugliga.
- ▶ Produkten eller dess tillbehör får inte byggas om eller ändras.
- ▶ Se till att du står stadigt vid bilning i tak, väggar och golv. Ett plötsligt genombrott kan göra att du tappar balansen!
- ▶ Vid genombrottsarbeten, tänk på att säkra området på motstående sida. Annars finns det risk för att det material som lossnar ramlar ner eller skjuter iväg och skadar människor i närheten.
- ▶ Använd lämpliga skyddsglasögon, skyddshjälm, hörselskydd, skyddshandskar och ett lätt andningsskydd när du arbetar med verktyget och se till att personer i närheten av verktyget har samma skyddsutrustning.
- ▶ Använd skyddshandskar vid verktygsbyte. Det finns risk för skär- och brännskador vid beröring av nys använda insatsverktyg.
- ▶ Använd skyddsglasögon. Splitter kan skada oskyddade kroppsdelar och ögon.
- ▶ Damm som uppstår vid slipning, polering, kapning och bormning kan innehålla farliga kemikalier. Exempel på sådana är: bly eller blybaserade färger, tegel, betong och andra murverksprodukter, natursten och andra produkter som innehåller silikat, Vissa träslag som ek och bok samt kemiskt behandlat trä, asbest eller material som innehåller asbest. Fastställ exponeringen för användaren och personer i närheten av arbetsområdet genom att kontrollera vilken riskklass det material som ska bearbetas tillhör. Vidta nödvändiga åtgärder för att hålla exponeringen på en säker nivå. Använd t.ex. ett dammuppsamlingsystem eller bär lämpligt andningsskydd. Allmänna åtgärder för att minska exponeringen är:
  - ▶ Arbeta i ett välventilerat utrymme,
  - ▶ Undvik längre kontakt med damm,
  - ▶ Led bort damm från ansiktet och kroppen,
  - ▶ Bär skyddskläder och tvätta exponerade områden med tvål och vatten.
- ▶ Ta ofta paus i arbetet och utför fingerövningar som ökar blodgenomströmningen i fingrarna. Vid långvarigt, ihållande arbete kan de starka vibrationerna ge besvär i blodkärl och nerver i fingrarna, händerna och handlederna.

### Elektrisk säkerhet

- ▶ Undersök om det finns dolda el-, gas- och vattenledningar inom arbetsområdet innan du påbörjar arbetet. Utanpåliggande metalldelar på produkten kan orsaka elstöt eller explosion om du skadar en el-, gas- eller vattenledning.

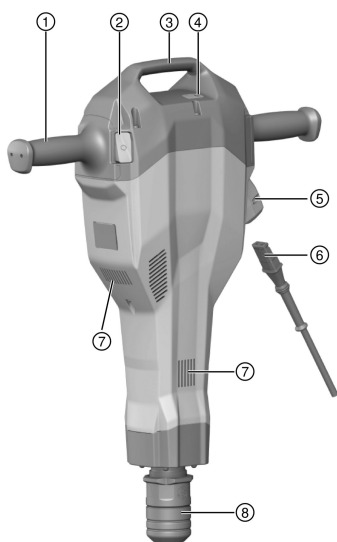
### Omsorgsfull hantering och användning av elverktyg

- ▶ Sätt inte på produkten förrän den är i arbetsläget.
- ▶ Vänta tills produkten har stannat helt innan du lägger den ifrån dig.



### 3 Beskrivning

#### 3.1 Översikt över TE 2000-AVR 1



- ① Handtag
- ② Strömbrytare
- ③ Bärhandtag
- ④ Serviceindikator
- ⑤ Uttag för elkabel
- ⑥ Nätkabel med stickkontakt
- ⑦ Ventilationspringor
- ⑧ Chuck

#### 3.2 Översikt transportvagn 2

- ① Grepp
- ② Positionslås
- ③ Hållare för förbrukningsmaterial (mejsel)
- ④ Hjul
- ⑤ Hjulspärr (skiva, sprint)
- ⑥ Maskindorn

#### 3.3 Avsedd användning

Produkten som beskrivs är en handhållen mejselhammare. Den är avsedd för mejsling i betong, tegel och asfalt. Den kan även användas för stampning och schaktning.

Använd bara maskinen ansluten till huvudnät med spänning och frekvens som stämmer överens med uppgifterna på maskinens typskylt.

#### 3.4 Förutsebar felanvändning

- Verktöget får endast användas i torra miljöer.
- Använd inte instrumentet där det finns risk för brand eller explosioner.
- Hälsovådliga material (som asbest) får inte bearbetas.

#### 3.5 Active Vibration Reduction

Produkten är utrustad med ett Active Vibration Reduction (AVR)-system som märkbart minskar vibrationerna.

#### 3.6 Serviceindikator

På mejselhammaren finns en serviceindikator med ljussignal.

Status	Betydelse
Serviceindikatorn lyser rött.	Drifttiden för service har uppnåtts. Ta med produkten till <b>Hilti</b> -service i god tid, så är den alltid klar att använda. Verktöget är skadat.



Status	Betydelse
Serviceindikatorn blinkar rött.	Överhettningsskydd Strömförsörjningen har för hög spänning.

### 3.7 Leveransinnehåll

Mejselhammare, nätkabel med stickkontakt, bruksanvisning och fett. Transportvagnen erbjuds som tillbehör. Dessutom finns fler systemprodukter för din produkt i ditt **Hilti**-center eller online på adressen: [www.hilti.group](http://www.hilti.group)

## 4 Teknisk information

### 4.1 Mejselhammare

Märkspänning, märkström, frekvens och/eller märkeffekt finns angivet på den landsspecifika typskylten på ditt verktyg.

Om verktyget drivs via en generator eller transformator måste denna ha en uteffekt som är minst dubbelt så hög som den märkeffekt som finns angiven på verktygets typskylt. Transformatorns eller generatorns driftspänning måste alltid ligga inom +5 % och -15 % av verktygets märkspänning.

	TE 2000-AVR
Produktgeneration	01
Vikt enligt EPTA-procedure 01	14,5 kg
Slagtal	30 Hz
Skyddstyp	II

### 4.2 Bullerinformation och vibrationsvärden

De ljudtrycks- och vibrationsvärden som anges i anvisningarna har uppmätts med en standardiserad mätmetod och kan användas för att jämföra olika elverktyg med varandra. De kan också användas för att göra en preliminär uppskattning av exponeringarna.

De angivna värdena representerar elverktygets huvudsakliga användning. När elverktyget begagnas inom andra områden, med andra insatsverktyg eller med otillräckligt underhåll, kan mätning ge avvikande värden. Det innebär att exponeringen under den totala arbetstiden kan ökas betydligt.

För att uppskattningen av exponeringarna ska bli exakt bör man också räkna in de tider då elverktyget är avstängt eller då det är påslaget men inte används. Det kan betydligt minska exponeringen under den totala arbetstiden.

Vidta även andra säkerhetsåtgärder för att skydda användaren mot effekterna av buller och vibrationer, exempelvis: underhåll av elverktyg och insatsverktyg, möjlighet att hålla händerna varma, välorganiserade arbetsförlöpp.

Detaljerad information om de versioner som tillämpas av **EN 62841**-standarderna hittar du på bilden av försäkran om överensstämmelse 163.

### Bullervärden

Uppmätt ljudeffektnivå ( $L_{WA}$ )	96 dB(A)
Osäkerhet ljudeffektnivå ( $K_{WA}$ )	3 dB(A)
Ljudtrycksnivå ( $L_{pA}$ )	88 dB(A)
Osäkerhet ljudtrycksnivå ( $K_{pA}$ )	3 dB(A)

### Vibrationsvärden

Bilning ( $a_{h, Cheq}$ )	3,9 m/s <sup>2</sup>
Osäkerhet (K)	1,5 m/s <sup>2</sup>



## 5 Användning

### 5.1 Förberedelser för arbete

#### FÖRSIKTIGHET

**Risk för personskada!** Oavsiktlig igångsättning av produkten.

- Dra alltid ur elsladden innan du gör några inställningar på verktyget eller byter tillbehörsdelar.

Observera de säkerhets- och varningsanvisningar som du hittar i dokumentationen och på själva enheten.

#### 5.1.1 Anslut nätkabeln till verktyget



Den löstagbara kabelkontakten måste vara ren, torr och utan spänning när den kopplas till produkten. Kopplingen är kodad.

1. Ta ut nätkabeln ur transportlådan.
2. Sätt kontaktdonet i verktyget så att du hör att låsskruven låser.
3. Stick in kabeln i uttaget.

#### 5.1.2 Byta insatsverktyg

1. Dra ut stickkontakten ur uttaget.
2. Fetta in insticksändan på insatsverktyget en aning.
  - Använd endast originalfett från **Hilti**. En felaktigt fett kan orsaka skador på verktyget.
3. Sätt insatsverktyget i chucken och vrid det samtidigt som du trycker det lätt inåt tills det låser.
4. Dra i mejseln för att kontrollera att den sitter fast ordentligt.

#### 5.1.3 Ta ur insatsverktyg

#### FÖRSIKTIGHET

**Risk för personskada!** Insatsverktyget kan vara hett och/eller ha skarpa kanter.

- Använd alltid skyddshandskar när du byter insatsverktyg.
- Lägg aldrig varma insatsverktyg på ett brännbart underlag.

1. Dra ut stickkontakten ur uttaget.
2. Dra tillbaka chuckhylsan så långt det går.
3. Ta ur insatsverktyget.

### 5.2 Arbete

#### VARNING

**Risk för elstöt!** Om jordledare och jordfelsbrytare saknas kan det leda till svåra person- och brännskador.

- Kontrollera att det i strömförsörjningsledningen på arbetsplatsen (ström från elnät eller generator) alltid finns jordledare och jordfelsbrytare och att de är anslutna.
- Produkten får inte användas utan dessa säkerhetsanordningar.

#### VARNING

**Fara på grund av skadad kabel!** Om kabeln eller förlängningskabeln skadas under arbetet får du inte röra vid den. Dra ut kabeln ur uttaget.

- Kontrollera verktygets anslutningskabel regelbundet och låt en behörig fackman byta ut den om den är skadad.

Be om godkännande från byggledningen samtliga för arbeten som ska utföras!

#### 5.2.1 Mejsling

1. Stick in kabeln i uttaget.
2. Sätt mejseln i önskat läge.



### 3. Tryck på strömbrytaren.



Arbeten vid låga temperaturer:

Verktyget kräver en viss drifttemperatur för att slagmekanismen ska startas. För att uppnå denna kan du sätta an verktyget mot underlaget och låta det gå på tomgång. Upprepa tills slagmekanismen startas.

#### 5.2.2 Frånkoppling

1. Tryck på strömbrytaren.
2. Dra ut stickkontakten ur uttaget.

#### 5.2.3 Arbetsanvisningar



Mejseln kan låsas fast i 6 olika lägen (i steg om 60°). Därigenom kan man alltid hitta en optimal arbetsställning vid arbete med flat- eller formmejsel.

- ▶ Påbörja mejslingen cirka 80–100 mm (3 1/8"–4") från kanten.
- ▶ Vid armeringsjärn, för alltid mejseln mot kanten på materialet, inte mot armeringsjärnet.
- ▶ Påbörja mejslingen i en vinkel på mellan 70° och 80° mot betongytan och rikta spetsen mot kanten. Ändra sedan vinkeln till 90° och bryt loss materialet.
- ▶ Vrid regelbundet på mejseln, eftersom ett jämnt slitage främjar självslipningen.
- ▶ Ett för lågt anpressningstryck gör att mejseln hoppar. Ett för högt anpressningstryck leder till försämrad mejslingseffekt.

## 6 Tillbehör transportvagn

### 6.1 Transport

Transportvagnen garanterar säker transport av mejselhammaren.

- Se till att transportvagnen står stabilt.
- Ställ verktyget på maskindornen och lås alltid fast det med låsbygeln under transport.
- Sätt mejseln i den därför avsedda hållaren tills den låser.
- Se till att transportsträckan är säker.
- Placera inte transportvagnen på lutande ytor.

## 7 Skötsel och underhåll

### VARNING

**Risk för elstötar!** Vid skötsel och underhåll finns risk för svåra person- och brännskador om elkontakten inte dras ur.

- ▶ Dra alltid ur elkontakten före skötsel- och underhållsarbete.

#### Skötsel

- Ta försiktigt bort smuts som fastnat på laddaren.
- Rengör ventilationsspringorna försiktigt med en torr borste.
- Rengör höljet med en lätt fuktad trasa. Använd inte rengöringsmedel med silikon, eftersom det kan skada plastdelarna.

#### Underhåll

### VARNING

**Risk för elstötar!** Felaktigt utförda reparationer på elektriska delar kan leda till svåra skador och brännskador.

- ▶ Reparationer på de elektriska delarna får endast utföras av behörig fackman.
- Kontrollera regelbundet att inga synliga delar har skadats och att alla reglage fungerar som de ska.
- Använd inte produkten om den uppvisar skador eller funktionsstörningar. Skicka den direkt till **Hilti Service** för reparation.
- Efter att skötsel- och underhållsarbete utförts ska alla skyddsanordningar alltid monteras och kontrolleras.





**i** Använd endast originalreservdelar och förbrukningsmaterial för säker drift. Godkända reservdelar, förbrukningsmaterial och tillbehör till din produkt från oss hittar du i närmaste **Hilti Store** eller på: [www.hilti.group](http://www.hilti.group).

## 8 Felsökning

Kontakta **Hilti Service** om det uppstår ett fel som inte finns med i den här tabellen eller som du inte lyckas åtgärda på egen hand.

### 8.1 Tabell över störningar

Fel	Möjlig orsak	Lösning
Verktyget startar inte	Elektroniken initieras (i ca 4 sekunder efter det att kontakten anslutits)	► Koppla från och starta verktyget igen.
	Strömförsörjningen är bruten	► Koppla in en annan elektrisk maskin och se efter om den fungerar.
	Kabeln eller stickproppen är defekt	► Kontrolleras av behörig och byts vid behov.
	Generator i viloläge	► Belasta generatormen med ett andra belastningsobjekt (t.ex. en byggglampa). Stäng sedan av verktyget och sätt på det igen.
Inget slag	Verktyget är för kallt	► Värm verktyget till lägsta drifttemperatur.
	Skador på verktyget	► Låt <b>Hilti Service</b> reparera verktyget.
Verktyget startar inte/stänger av sig under drift och indikeringen blinkar rött	Tillfälligt fel (t.ex. överhettning eller överspänning)	► Stäng av verktyget och låt det svalna eller anslut verktyget till en annan strömkälla.
Verktyget startar, men indikeringen lyser med stadigt rött ljus	Serviceindikering	► Lämna in verktyget till <b>Hilti Service</b> för service eller reparation.
Verktyget startar inte/stänger av sig under drift	Förlängningskabeln är för lång och/eller har för liten area	► Använd en förlängningskabel med godkänd längd och tillräckligt stor area.
	Nätkabel med stickkontakt är inte riktigt ansluten.	► Anslut nätkabeln med stickkontakt på rätt sätt.

## 9 Avfallshantering

**Hilti**-verktyg är till stor del tillverkade av återvinningsbara material. En förutsättning för återvinning är att materialen separeras på rätt sätt. I många länder kan du lämna in ditt uttjänta verktyg så att **Hilti** tar hand om det. Hör efter med **Hiltis** kundtjänst eller din kontaktperson.



- Kasta inte elverktyg, elektronisk apparatur och batterier i hushållssoporna.

## 10 RoHS (föreskrifter för begränsning av användningen av farliga ämnen)

Använd den här länken för att komma till tabellen över farliga ämnen: [qr.hilti.com/r6025050](http://qr.hilti.com/r6025050). En länk till RoHS-tabellen hittar du i slutet på det här dokumentet i form av en QR-kod.

## 11 Tillverkargaranti

- Vänd dig till din lokala **Hilti**-representant om du har frågor om garantivillkoren.



# Original bruksanvisning

## 1 Informasjon om bruksanvisningen

### 1.1 Om denne bruksanvisningen

- **Advarsel!** Før du tar i bruk produktet må du sørge for å ha lest og forstått den medfølgende bruksanvisningen, herunder instruksjonene, sikkerhets- og varselinformasjon, illustrasjoner og spesifikasjoner. Gjør deg særlig kjent med alle instruksjoner, sikkerhets- og varselinformasjon, illustrasjoner, spesifikasjoner samt deler og funksjoner. Ved manglende overholdelse er det fare for elektrisk støt, brann og/eller for alvorlige personskader. Oppbevar bruksanvisningen med alle instruksjoner, sikkerhets- og varselinformasjon for senere bruk.
- **HILTI**-produkter er laget for profesjonell bruk og må kun brukes, vedlikeholdes og repareres av kyndig personale. Dette personalet må informeres spesielt om eventuelle farer som kan oppstå. Produktet og tilleggsutstyret kan utgjøre en fare hvis det betjenes av ukvalifisert personale eller ikke brukes på tiltenkt måte.
- Den medfølgende bruksanvisningen er i tråd med det aktuelle tekniske nivået på trykktidspunktet. Du finner alltid den mest oppdaterte versjonen på nettet på Hiltis produktside. Følg lenken eller QR-koden i denne bruksanvisningen, merket med symbolet
- Pass på at bruksanvisningen følger med produktet når det overlates til andre personer.

### 1.2 Symbolforklaring

#### 1.2.1 Farehenvisninger

Farehenvisninger advarer mot farer under håndtering av produktet. Følgende signalord brukes:

#### FARE

**FARE !**

- ▶ For en umiddelbart truende fare som kan føre til alvorlige personskader eller død.

#### ADVARSEL

**ADVARSEL !**

- ▶ Varsler en mulig fare som kan føre til alvorlige personskader eller død.

#### FORSIKTIG

**FORSIKTIG !**

- ▶ Varsler om en mulig farlig situasjon som kan føre til personskade eller materiell skade.

#### 1.2.2 Symboler i bruksanvisningen

Følgende symboler benyttes i denne bruksanvisningen:

	Følg bruksanvisningen
	Bruksanvisninger og andre nyttige opplysninger
	Håndtering av resirkulerbare materialer
	Ikke kast elektriske apparater eller batterier i husholdningsavfallet

#### 1.2.3 Symboler i illustrasjoner

Følgende symboler brukes i illustrasjonene:

<b>2</b>	Disse tallene viser til illustrasjonen i begynnelsen av denne bruksanvisningen.
3	Nummereringen i illustrasjoner henviser til viktige arbeidstrinn eller viktige komponenter for arbeidstrinnene. I teksten i blir disse arbeidstrinnene eller komponentene markert med tilhørende numre, f.eks. (3).



<b>11</b>	Posisjonsnumrene brukes i illustrasjonen <b>Oversikt</b> og henviser til numrene på teksten i avsnittet <b>Produktoversikt</b> .
	Dette symbolet betyr at håndtering av produktet krever stor grad av oppmerksomhet.

### 1.3 Produktavhengige symboler

#### 1.3.1 Symboler på produktet

Følgende symboler brukes på produktet:

	Beskyttelsesklasse II (dobbelisolert)
	Serviceindikator

## 2 Sikkerhet

### 2.1 Generelle sikkerhetsregler for elektroverktøy

**⚠ ADVARSEL** Les alle sikkerhetsanvisninger, instruksjoner, illustrasjoner og tekniske data som elektroverktøyet er utstyrt med. Manglende overholdelse av anvisningene nedenfor kan medføre elektrisk støt, brann og/eller alvorlige personskader.

**Overhold alle sikkerhetsanvisninger og instruksjoner i hele bruksperioden.**

Begrepet "elektroverktøy" som er brukt i sikkerhetsanvisningene, viser til nettdrevne elektroverktøy (med nettkabel) eller til batteridrevne elektroverktøy (uten nettkabel).

#### Sikkerhet på arbeidsplassen

- ▶ **Hold arbeidsområdet rent og godt opplyst.** Rotete eller dårlig belyste arbeidsområder kan føre til ulykker.
- ▶ **Bruk ikke elektroverktøyet i eksplosjonsfarlige omgivelser hvor det befinner seg brennbare flytende stoffer, gasser eller støv.** Elektroverktøy lager gnister som kan antenne støv eller damp.
- ▶ **Hold barn og andre personer på sikker avstand mens elektroverktøyet brukes.** Hvis du blir forstyrret under arbeidet, kan du miste kontrollen over verktøyet.

#### Elektrisk sikkerhet

- ▶ **Elektroverktøyets støpsel må passe i stikkontakten. Støpselet må ikke forandres på noen helst måte. Bruk ikke adapterkontakt på jordete elektroverktøy.** Uendrede støpsler og egnede stikkontakter minsker risikoen for elektrisk støt.
- ▶ **Unngå kroppskontakt med jordete overflater som rør, radiatorer, komfyrer eller kjøleskap.** Risikoen for elektriske støt er høyere når kroppen er jordet.
- ▶ **Hold elektroverktøyet unna regn og fuktighet.** Risikoen for elektrisk støt øker ved inntrenging av vann i et elektroverktøy.
- ▶ **Bruk ikke ledningen til å bære elektroverktøyet, henge det opp eller til å dra støpselet ut av stikkontakten. Hold ledningen unna varme, olje, skarpe kanter og deler som beveger seg.** Skadde eller sammenviklede ledninger øker risikoen for elektriske støt.
- ▶ **Bruk kun skjøteledninger som også er godkjent for utendørs bruk når du arbeider med et elektroverktøy utendørs.** Bruk av skjøteledning som er egnet til utendørs bruk, minsker risikoen for elektrisk støt.
- ▶ **Må elektroverktøyet brukes i fuktige omgivelser, er det nødvendig å bruke en jordfeilbryter.** Bruk av en jordfeilbryter reduserer risikoen for elektrisk støt.

#### Personssikkerhet

- ▶ **Vær oppmerksom, pass på hva du gjør, og gå fornuftig fram under arbeidet med et elektroverktøy. Ikke bruk elektroverktøy når du er trøtt eller påvirket av narkotika, alkohol eller medikamenter.** Et øyeblikks uoppmerksomhet ved bruk av elektroverktøyet kan være nok til å forårsake alvorlige personskader.
- ▶ **Bruk alltid personlig verneutstyr og vernebriller.** Bruk av personlig verneutstyr som støvmaske, skliskire vernesko, hjelm eller hørselsvern – avhengig av type og bruk av elektroverktøyet – reduserer risikoen for skader.
- ▶ **Unngå utilsiktet start. Forsikre deg om at elektroverktøyet er slått av før du setter i stikkontakten eller batteriet og før du løfter eller flytter elektroverktøyet.** Hvis du holder fingeren på bryteren når du bærer elektroverktøyet, eller kobler elektroverktøyet til strøm i innkoblet tilstand, kan dette føre til uhell.



- ▶ **Fjern justeringsverktøy og skrunøkkel før du slår på elektroverktøyet.** Et verktøy eller en nøkkel som befinner seg i en roterende maskindel, kan føre til skader.
- ▶ **Unngå uhensiktsmessige arbeidsposisjoner. Sørg for å stå stødig og i balanse.** Dermed kan du kontrollere elektroverktøyet bedre i uventede situasjoner.
- ▶ **Bruk egnede klær. Ikke bruk vide klær eller smykker. Hold hår, tøy og hansker unna deler som beveger seg.** Løstsittende tøy, smykker eller langt hår kan komme inn i deler som beveger seg.
- ▶ **Hvis det er montert støvavsugs- og oppsamlingsinnretninger, må det kontrolleres at disse er koblet til og blir brukt på riktig måte.** Bruk av støvavsug kan redusere faremomentene i forbindelse med støv.
- ▶ **Ikke føl deg for trygg og ikke bryt sikkerhetsreglene for elektroverktøy, heller ikke når du etter lang tids bruk er blitt fortlølig med elektroverktøyet.** Et øyeblikks uaktsomhet kan føre til alvorlige personskader.

#### Bruk og behandling av elektroverktøyet

- ▶ **Ikke overbelast verktøyet. Bruk et elektroverktøy som er beregnet til den type arbeid du vil utføre.** Med et passende elektroverktøy arbeider du bedre og sikrere i det angitte effektområdet.
- ▶ **Ikke bruk elektroverktøy med defekt bryter.** Et elektroverktøy som ikke lenger kan slås av eller på, er farlig og må repareres.
- ▶ **Dra ut støpselet fra stikkkontakten og/eller ta ut et uttakbart batteri før du foretar maskininnstillinger, bytter tilleggsutstyr eller legger bort verktøyet.** Disse tiltakene forhindrer utilsiktet start av elektroverktøyet.
- ▶ **Oppbevar elektroverktøy som ikke brukes, utenfor barns rekkevidde. La ikke personer som ikke er fortlølige med verktøyet eller ikke har lest disse instruksjonene, bruke verktøyet.** Elektroverktøy er farlige når de brukes av uerfarne personer.
- ▶ **Sørg for grundig stell og vedlikehold av elektroverktøyet med tilbehør. Kontroller at bevegelige deler på elektroverktøyet fungerer feilfritt og ikke klemmes fast, og at ingen deler er brukt eller skadet, slik at dette innvirker på elektroverktøyets funksjon. La skadde deler repareres før elektroverktøyet brukes.** Mange ulykker er et resultat av dårlig vedlikeholdte elektroverktøy.
- ▶ **Hold skjæreverktøy skarpe og rene.** Godt vedlikeholdte skjæreverktøy med skarpe skjærekanten blir sjeldnere fastklemt og er lettere å styre.
- ▶ **Bruk elektroverktøy, tilbehør, arbeidsverktøy osv. i overensstemmelse med denne anvisningen. Ta hensyn til arbeidsforholdene og arbeidstid som skal utføres.** Bruk av elektroverktøy til andre formål enn det som er angitt, kan føre til farlige situasjoner.
- ▶ **Hold håndtak og gripeflater tørre, rene og frie for olje og fett.** Glatte håndtak og gripeflater gir ikke sikker betjening og kontroll av elektroverktøyet i uforutsette situasjoner.

#### Service

- ▶ **Elektroverktøyet må kun repareres av kvalifisert fagpersonale og kun med originale reservedeler.** Slik opprettholdes elektroverktøyets sikkerhet.

## 2.2 Sikkerhetsanvisninger for borhammere

#### Sikkerhetsanvisninger for alt arbeid

- ▶ **Bruk hørselsvern.** Påvirkning av støv kan føre til hørselstap.
- ▶ **Bruk håndtakene som leveres med maskinen.** Tap av kontroll kan føre til skader.
- ▶ **Hold maskinen i de isolerte håndtaksflatene når du utfører arbeid der verktøybits kan komme i kontakt med skjulte strømedninger.** Kontakt med en spenningsførende ledning kan også sette maskinens metalldele under spenning og føre til elektrisk støt.

## 2.3 Ytterligere sikkerhetsanvisninger for meiselhammer

#### Personsikkerhet

- ▶ Bruk produktet og tilbehøret bare i teknisk feilfri stand.
- ▶ Ikke foreta manipulering eller endring av produktet eller tilbehøret.
- ▶ Sørg for at du står støtt ved meisling i tak, vegger og gulv. Du kan miste balansen ved et plutselig gjennombrudd!
- ▶ Ved gjennombruddsarbeider må området på den andre siden sikres. Deler som brytes ut, kan falle ut og/eller ned og skade andre personer.
- ▶ Ved bruk av maskinen skal du og andre personer som oppholder seg i nærheten, alltid bruke egnede vernehjelm, hørselsvern, vernehansker og en lett ansiktsmaske.
- ▶ Bruk vernehansker ved skifte av verktøy. Berøring av innsatsverktøyet kan føre til kuttskader og forbrenninger.



- ▶ Bruk øyevern. Splintret materiale kan skade kroppen og øynene.
- ▶ Støv som oppstår ved sliping, smergling, kapping og boring kan inneholde farlige kjemikalier. Noen eksempler er: bly eller blybasert maling; tegl, betong og andre murverksprodukter, naturstein og andre silikatholdige produkter; bestemte tresorter, slik som eik, bøk og kjemisk behandlet trevirke; asbest eller asbestholdige materialer. Kartlegg hvor eksponert brukeren og personer i nærheten er ved hjelp av fareklassen til materialene som det arbeides med. Treff nødvendige tiltak for å holde eksponeringen på et trygt nivå, f.eks. ved å bruke et støvoppsamlingsystem eller egnet åndedrettsvern. Til de generelle tiltakene for å redusere eksponeringen hører:
  - ▶ arbeid i et godt ventilert område,
  - ▶ unngå langvarig kontakt med støv,
  - ▶ led bort støv fra ansikt og kropp,
  - ▶ bruk verneutstyr og vask eksponerte områder med vann og såpe.
- ▶ Ta hyppige pauser og gjør øvelser for å øke blodgjennomstrømningen i fingrene. Ved langvarig arbeid kan kraftige vibrasjoner føre til forstyrrelser i blodkar eller nervesystemet i fingre, hender eller håndledd.

### Elektrisk sikkerhet

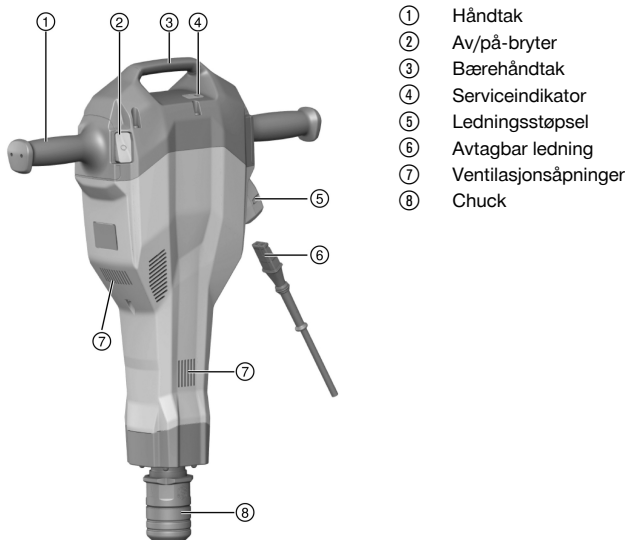
- ▶ Kontroller før arbeidet påbegynnes at det ikke finnes skjulte strø姆ledninger, gass- eller vannrør i arbeidsområdet. Utvendige metalldeleer på produktet kan forårsake elektrisk støt eller en eksplosjon dersom du skader en strø姆ledning, et gass- eller vannrør.

### Forsiktig behandling og bruk av elektroverktøy

- ▶ Ikke slå på produktet før du har plassert det i arbeidsposisjon.
- ▶ Vent til produktet har stanset helt før du legger det fra deg.

## 3 Beskrivelse

### 3.1 Oversikt TE 2000-AVR



- ① Håndtak
- ② Av/på-bryter
- ③ Bærehåndtak
- ④ Serviceindikator
- ⑤ Ledningsstøpsel
- ⑥ Avtagbar ledning
- ⑦ Ventilasjonsåpninger
- ⑧ Chuck

### 3.2 Oversikt transportvogn

- ① Håndtak
- ② Låseboyle
- ③ Holder for forbruksmateriale (meisel)
- ④ Hjul
- ⑤ Hjulsikring (skive, splint)
- ⑥ Maskinfestetapp

### 3.3 Forskriftsmessig bruk

Det beskrevne produktet er en håndholdt meiselhammer. Den er beregnet til meisling i betong, mur og asfalt. Den kan også brukes til stamping og graving.



Bruk maskinen kun når den er knyttet til hovedledning med en spenning og frekvens som er i overensstemmelse med informasjonen på typeskiltet.

### 3.4 Feilbruk som lett kan unngås

- Maskinen må bare brukes i tørre omgivelser.
- Ikke bruk maskinen på steder der det er brann- eller eksplosjonsfare.
- Det må ikke arbeides med helsefarlige materialer (for eksempel asbest).

### 3.5 Active Vibration Reduction

Produktet er utstyrt med et Active Vibration Reduction (AVR)-system som reduserer vibrasjonen merkbart.

### 3.6 Serviceindikator

Meiselhammeren er utstyrt med en serviceindikator med lyssignal.

Tilstand	Betydning
Serviceindikatoren lyser rødt.	Maskinens driftstid før en service er nådd. Lever produktet inn til <b>Hilti</b> service i rett tid slik at det alltid er klart til bruk. Skader på maskinen.
Serviceindikatoren blinker rødt.	Overopphetingsvern Strømtilførsel har for høy spenning.

### 3.7 Dette følger med:

meiselhammer, avtagbar ledning, bruksanvisning, fett. Transportvognen tilbys som tilbehør.

I tillegg finner du tillatte systemprodukter til produktet hos nærmeste **Hilti**-senter eller på nettet under: [www.hilti.group](http://www.hilti.group)

## 4 Tekniske data

### 4.1 Meiselhammer



Merkespenning, merkestrøm, frekvens og/eller nominell inngangseffekt står på typeskiltet for ditt land.

Ved drift med generator eller transformator må generatorens eller transformatorens utgangseffekt være minst dobbelt så stor som den nominelle inngangseffekten som er oppgitt på maskinens typeskilt. Driftsspenningen for transformatoren eller generatoren må alltid ligge innenfor +5 % og -15 % av merkespenningen for maskinen.

	TE 2000-AVR
<b>Produktgenerasjon</b>	01
<b>Vekt i henhold til EPTA-prosedyre 01</b>	14,5 kg
<b>Slagfall</b>	30 Hz
<b>Beskyttelsesklasse</b>	II

### 4.2 Støyinformasjon og vibrasjonsverdier

Lydtrykk- og vibrasjonsverdiene som er angitt i denne bruksanvisningen, er målt i samsvar med en normert målemetode og kan brukes til sammenligning av elektroverktøy. De egner seg også til en foreløpig vurdering av eksponeringene.

De angitte dataene representerer de viktigste bruksområdene for elektroverktøyet. Men hvis elektroverktøyet brukes til andre formål, med avvikende innsatsverktøy eller med utilstrekkelig vedlikehold, kan dataene avvike. Dette kan øke eksponeringene betraktelig gjennom hele arbeidsperioden.

For å få en nøyaktig vurdering av eksponeringene må man også ta hensyn til tidsrommene da elektroverktøyet er slått av eller er i gang, men ikke i bruk. Dette kan redusere eksponeringene betraktelig gjennom hele arbeidsperioden.



Fastsett ekstra sikkerhetstiltak for å beskytte operatøren mot effekten av støy og/eller vibrasjoner, for eksempel: Vedlikehold av elektroverktøy og innsatsverktøy, holde hendene varme, organisering av arbeidsprosesser.



Du finner nærmere informasjon om hvilke versjoner av **EN 62841**-standardene som er benyttet på bildet av samsvarserklæringen 163.

### Støyutslippsverdier

Målt lydeffektnivå ( $L_{WA}$ )	96 dB(A)
Usikkerhet lydeffektnivå ( $K_{WA}$ )	3 dB(A)
Avgitt lydtryknivå ( $L_{pA}$ )	88 dB(A)
Usikkerhet lydtryknivå ( $K_{pA}$ )	3 dB(A)

### Vibrasjonsverdier

Meisling ( $a_{h, Cheq}$ )	3,9 m/s <sup>2</sup>
Usikkerhet (K)	1,5 m/s <sup>2</sup>

## 5 Betjening

### 5.1 Klargjøring til arbeidet



#### FORSIKTIG

**Fare for personskader!** Utilsiktet start av produktet.

- Trekk støpslet ut av stikkkontakten før du foretar maskininnstillinger eller skifter tilbehørsdeler.

Følg sikkerhetshenvisningene og advarslene i denne dokumentasjonen og på produktet.

#### 5.1.1 Koble nettkabelen til maskinen



Den avtagbare pluggforbindelsen skal kun kobles til produktet i ren, tørr og spenningsløs tilstand. Forbindelsen er kodet.

1. Ta nettkabelen ut av transportesken.
2. Sett pluggforbindelsen inn i maskinen til låsen klikker hørbart på plass.
3. Sett støpslet inn i stikkkontakten.

#### 5.1.2 Sette i innsatsverktøy

1. Trekk støpslet ut av stikkkontakten.
2. Smør innstikkenden til innsatsverktøyet med litt fett.
  - Bruk bare originalfett fra **Hilti**. Feil fett kan forårsake skade på maskinen.
3. Sett innsatsverktøyet inn i chucken og vri det med lett mottrykk, inntil det festes hørbart.
4. Trekk i verktøyet for å forsikre deg om at det er godt festet.

#### 5.1.3 Ta ut innsatsverktøyet



#### FORSIKTIG

**Fare for personskader!** Innsatsverktøyet kan være varmt og/eller ha skarpe kanter.

- Bruk vernehansker når du skifter innsatsverktøy.
- Ikke legg et varmt innsatsverktøy på brennbare underlag.

1. Trekk støpslet ut av stikkkontakten.
2. Trekk verktøylåsen tilbake til anslag.
3. Ta ut innsatsverktøyet.



## 5.2 Arbeid

### ADVARSEL

**Fare for elektrisk støt!** Manglende jordingsleder og jordfeilbryter kan føre til alvorlige personskader og forbrenninger.

- ▶ Kontroller at strømtilførselen på byggeplassen, enten den kommer fra strømmettet eller fra en generator, alltid er utstyrt med jordingsledere og jordfeilbrytere og at disse er tilkoblet.
- ▶ Ikke ta noe produkt i bruk uten disse sikkerhetstiltakene.

### ADVARSEL

**Fare på grunn av skadd ledning!** Ikke ta på maskinens ledning eller skjøteledning hvis de skades under arbeid. Trekk støpslet ut av stikkkontakten.

- ▶ Kontroller maskinens tilførselsledning regelmessig, og sørg for at den blir skiftet av fagfolk hvis den blir skadd.

Få byggeledelsen til å godkjenne det fulle omfanget av arbeidene.

### 5.2.1 Meisling

1. Sett støpslet inn i stikkkontakten.
2. Sett meiselen i ønsket posisjon.
3. Trykk på av/på-bryteren.



Jobbing ved lave temperaturer:

Maskinen trenger en min. driftstemperatur før slagmekanismen fungerer. Dette oppnås ved å sette maskinen ned en kort stund og la den gå på tomgang. Hvis nødvendig, gjentas prosessen inntil slagmekanismen fungerer.

### 5.2.2 Slå av

1. Trykk på av/på-bryteren.
2. Trekk støpslet ut av stikkkontakten.

### 5.2.3 Arbeidsmerknader



Meiselen kan sperres i 6 ulike posisjoner (i trinn på 60°). Derfor kan man alltid finne den optimale arbeidsstillingen når man jobber med flat- og formmeisel.

- ▶ Sett an meiselen cirka 80-100 mm (3 1/8" - 4") fra kanten.
- ▶ I armeringsjern føres alltid meiselen mot kanten av materialet, ikke mot armeringsjernet.
- ▶ Begynn meislingen med en vinkel på 70° til 80° til betongoverflaten og rett spissen mot kanten. Beveg deretter vinkelen i retning 90° og brekk av materialet.
- ▶ Drei meiselen regelmessig, ettersom jevn nedslittethet støtter selvslipingsprosessen.
- ▶ For lavt presstrykk fører til at meiselen hopper. For høyt presstrykk fører til at meiseleeffekten blir mindre.

## 6 Ekstraustyr transportvogn

### 6.1 Transport

Transportvognen sikrer trygg transport av meiselhammeren.

- Sørg for at transportvognen står støtt.
- Sett maskinen på den tilhørende maskinfestetappen og sikre den alltid under transport med festeboøylen.
- Sett meiselen i den aktuelle holderen til den går i lås.
- Sørg for sikre transportveier.
- Ikke parker transportvognen på et skrått underlag.





## 7 Service og vedlikehold

### ADVARSEL

**Fare for elektrisk støt!** Stell og vedlikehold med isatt nettstøpsel kan føre til alvorlige personskader og forbrenninger.

- ▶ Før alt stell og vedlikeholdsarbeid må nettstøpslet trekkes ut!

#### Pleie

- Fjern gjenstridig smuss forsiktig.
- Bruk en tørr børste for å rengjøre ventilasjonsåpningene forsiktig.
- Rengjør huset bare med en lett fuktet klut. Ikke bruk silikonholdige pleiemiddel, da dette kan angripe plastdelene.

#### Vedlikehold

### ADVARSEL

**Fare for elektrisk støt!** Ufagmessige reparasjoner på elektriske komponenter kan føre til alvorlig personskade og forbrenninger.

- ▶ Elektriske deler på maskinen må kun repareres av fagfolk.
- Kontroller alle synlige deler regelmessig mht. skade og alle betjeningselementene mht. feilfri funksjon.
- Ved skader og/eller funksjonsfeil må produktet ikke brukes. Få maskinen reparert av **Hilti service** snarest mulig.
- Etter stell- og vedlikeholdsarbeid må alle beskyttelsesinnretninger monteres, og det må foretas funksjonskontroll av dem.



Av hensyn til sikkerheten må du bare bruke originale reservedeler og forbruksmaterialer. Reservedeler, forbruksmaterialer og tilbehør til produktet, som er godkjent av oss, finner du hos **Hilti Store** eller under: [www.hilti.group](http://www.hilti.group).

## 8 Feilsøking

Ved feil som ikke står i denne tabellen eller som du selv ikke kan rette opp, må du kontakte **Hilti Service**.

### 8.1 Feilsøkingstabell

Feil	Mulig årsak	Løsning
Maskinen starter ikke	Initialisering av elektronikken pågår (i ca. 4 sekunder fra støpslet settes inn)	▶ Slå maskinen av og på.
	Spenningstilførselen er brutt	▶ Koble til et annet elektroverktøy, kontroller funksjonen.
	Nettkabel eller støpsel er defekt	▶ La en autorisert elektriker kontrollere og ev. foreta utskifting.
	Generator med Sleep Mode	▶ Belast generatoren med en andre forbruker (f.eks. bygg-lampe). Slå deretter maskinen på og av igjen.
Slageffekt uteblir	Maskinen er for kald	▶ Reduser driftstemperaturen til minimumsnivå.
	Skader på maskinen	▶ Få maskinen reparert av <b>Hilti service</b> .
Maskinen går ikke eller slår seg av under drift, og indikatoren blinker rødt	Midlertidig feil (f.eks. overoppheting eller overspenning)	▶ Slå av maskinen, la den avkjøles eller koble maskinen til en annen strømkilde.
Maskinen går, men indikatoren lyser konstant rødt	Servicevarsel	▶ Få service eller reparasjon utført av <b>Hilti service</b> .



Feil	Mulig årsak	Løsning
Maskinen går ikke eller slår seg av under drift	Skjøteledningen er for lang og/eller har for lite tverrsnitt	► Bruk skjøteledning med tillatt lengde og tilstrekkelig dimensjonert tverrsnitt.
	Den avtagbare nettkabelen ikke riktig satt i.	► Koble den avtagbare nettkabelen riktig til elektroverktøyet.

## 9 Avhending

**Hilti** maskiner er i stor grad laget av resirkulerbart materiale. En forskriftsmessig materialsortering er en forutsetning for resirkulering. I mange land tar **Hilti** din gamle maskin i retur. Spør **Hilti** kundeservice eller forhandleren din.



- Kast aldri elektroverktøy, elektronisk utstyr eller batterier i husholdningsavfallet!

## 10 RoHS (direktiv for begrensning av bruk av farlige stoffer)

Under følgende lenke finner du tabellen over farlige stoffer: [qr.hilti.com/r6025050](http://qr.hilti.com/r6025050).

Du finner en lenke til RoHS-tabellen helt til slutt i denne dokumentasjonen som QR-kode.

## 11 Produsentgaranti

- Når det gjelder spørsmål om garantibetingelser, ber vi deg kontakte din lokale **Hilti**-partner.

# Alkuperäiset ohjeet

## 1 Tämän käyttöohjeen tiedot

### 1.1 Tästä käyttöohjeesta

- **Varoitus!** Ennen tuotteen käyttämistä varmista, että olet lukenut ja ymmärtänyt tuotteen mukana toimitetun käyttöohjeen ja sen sisältämät ohjeet, neuvot sekä turvallisuus- ja varoitushuomautukset, kuvat ja tekniset erittelyt. Perehdy etenkin kaikkiin ohjeisiin, turvallisuus- ja varoitushuomautuksiin, kuviin, teknisiin erittelyihin sekä tuotteen osiin ja toimintoihin. Ellei määräyksiä, ohjeita ja neuvoja noudateta, aiheutuu sähköiskun, tulipalon ja/tai vakavien vammojen vaara. Säilytä käyttöohje ja kaikki ohjeet sekä turvallisuus- ja varoitushuomautukset myöhempää käyttötarvetta varten.
- **HILTI** -tuotteet on tarkoitettu ammattikäyttöön, ja niitä saa käyttää, huoltaa tai korjata vain valtuutettu, koulutettu henkilö. Käyttäjän pitää olla hyvin perillä käyttöön liittyvistä vaaroista. Tuote ja sen varusteet saattavat aiheuttaa vaaratilanteita, jos kokemattomat henkilöt käyttävät tuotetta ohjeiden vastaisesti tai muutoin asiattomasti.
- Oheinen käyttöohje vastaa tekniikan tasoa painatushetkellä. Katso uusin versio internetistä Hiltin tuotesivustolta. Sinne pääset tässä käyttöohjeessa olevasta linkistä tai QR-koodilla, joka on merkitty symbolilla .
- Varmista, että tämä käyttöohje on mukana, kun luovutat tuotteen toiselle henkilölle.

### 1.2 Merkkien selitykset

#### 1.2.1 Varoitushuomautukset

Varoitushuomautukset varoittavat tuotteen käyttöön liittyvistä vaaroista. Seuraavia varoitustekstejä käytetään:

**VAKAVA VAARA**

#### **VAKAVA VAARA !**

- Varoittaa uhkaavasta vaaratilanteesta, josta voi seurauksena olla vakava loukkaantuminen tai jopa kuolema.



**VAARA**

**VAARA !**

- ▶ Varoittaa mahdollisesta vaarasta, josta voi seurauksena olla vakava loukkaantuminen tai kuolema.

**VAROITUS**

**HUOMIO !**

- ▶ Varoittaa mahdollisesta vaaratilanteesta, josta voi seurata loukkaantuminen tai aineellinen vahinko.

**1.2.2 Symbolit käyttöohjeessa**

Tässä käyttöohjeessa käytetään seuraavia symboleita:

	Noudata käyttöohjetta
	Toimintaohjeita ja muuta hyödyllistä tietoa
	Kierrätyskelpoisten materiaalien käsittely
	Älä hävitä sähkölaitteita ja akkuja tavallisen sekajätteen mukana

**1.2.3 Symbolit kuvissa**

Kuvissa käytetään seuraavia symboleita:

<b>2</b>	Nämä numerot viittaavat vastaavaan kuvaan tämän käyttöohjeen alussa.
3	Numerointi kuvissa viittaa tärkeisiin työvaiheisiin tai työvaiheiden kannalta tärkeisiin rakennosiin. Nämä vastaavasti numeroidut työvaiheet tai rakennesosat korostetaan tekstissä, esimerkiksi <b>(3)</b> .
<b>11</b>	Kohtanumeroita käytetään kuvassa <b>Yleiskuva</b> , ja ne viittaavat kuvatekstien numerointiin kappaleessa <b>Tuotehteenve</b> to.
	Tämän merkin tarkoitus on kiinnittää erityinen huomiosi tuotteen käyttöön ja käsittelyyn.

**1.3 Tuotekohtaiset symbolit**

**1.3.1 Symbolit tuotteessa**

Tuotteessa käytetään seuraavia symboleita:

	Suojausluokka II (kaksinkertainen eristys)
	Huoltotarpeen merkkivalo

**2 Turvallisuus**

**2.1 Sähkötyökaluja koskevat yleiset turvallisuusohjeet**

**⚠ VAKAVA VAARA** Lue kaikki turvallisuus- ja käyttöohjeet, selostukset ja tekniset tiedot, jotka liittyvät tähän sähkötyökaluun. Seuraavien ohjeiden noudattamatta jättäminen saattaa johtaa sähköiskuun, tulipaloon ja/tai vakavaan loukkaantumiseen.

**Säilytä kaikki turvallisuus- ja käyttöohjeet huolellisesti vastaisen varalle.**

Turvallisuusohjeissa käytetty käsite ”sähkötyökalu” tarkoittaa verkkokäyttöisiä sähkötyökaluja (joissa verkkojohto) ja akkukäyttöisiä sähkötyökaluja (joissa ei verkkojohtoa).

**Työpaikan turvallisuus**

- ▶ **Pidä työskentelyalue siistinä ja hyvin valaistuna.** Työpaikan epäjärjestys ja valaisemattomat työalueet voivat johtaa tapaturmiin.
- ▶ **Älä käytä sähkötyökalua räjähdysalttiissa ympäristössä, jossa on syttyvää nestettä, kaasua tai pölyä.** Sähkötyökalut synnyttävät kipinöitä, jotka saattavat sytyttää pölyn tai höyryt.
- ▶ **Pidä lapset ja sivulliset loitolla sähkötyökalua käyttäessäsi.** Voit menettää koneen hallinnan huomiosi suuntautuessa muualle.



## Sähköturvallisuus

- ▶ **Sähkötyökalun pistokkeen pitää sopia pistorasiaan. Pistoketta ei saa muuttaa millään tavalla. Älä käytä pistorasia-adaptoreita suojamaadotettujen sähkötyökalujen yhteydessä.** Alkuperäisessä kunnossa olevat pistokkeet ja sopivat pistorasiat vähentävät sähköiskun vaaraa.
- ▶ **Vältä koskettamasta sähköä johtaviin pintoihin kuten putkiin, pattereihin, liesiin ja jääkaappeihin.** Sähköiskun vaara kasvaa, jos kehosi maadottuu.
- ▶ **Älä aseta sähkötyökalua alttiiksi sateelle tai kosteudelle.** Veden tunkeutuminen sähkötyökalun sisään lisää sähköiskun vaaraa.
- ▶ **Älä kanna tai ripusta sähkötyökalua verkkojohdostaan äläkä vedä pistoketta irti pistorasiasta johdosta vetämällä. Pidä johto loitolla kuumuudesta, öljystä, terävistä reunoista ja liikkuvista osista.** Vahingoittuneet tai toisiinsa kietoutuneet johdot lisäävät sähköiskun vaaraa.
- ▶ **Kun käytät sähkötyökalua ulkona, käytä ainoastaan ulkokäyttöön soveltuvia jatkojohtoja.** Ulkoikäyttöön soveltuvan jatkojohdon käyttö pienentää sähköiskun vaaraa.
- ▶ **Jos sähkötyökalua on välttämätöntä käyttää kosteassa ympäristössä, käytä vikavirtasuojakytkintä.** Vikavirtasuojakytkimen käyttö pienentää sähköiskun vaaraa.

## Henkilöturvallisuus

- ▶ **Ole valpas, kiinnitä huomiota työskentelyysi ja noudata tervettä järkeä sähkötyökalua käyttäessäsi. Älä käytä sähkötyökalua, jos olet väsynyt tai huumeiden, alkoholin tai lääkkeiden vaikutuksen alaisena.** Sähkötyökalua käytettäessä hetkellinenkin varomattomuus saattaa aiheuttaa vakavia vammoja.
- ▶ **Käytä henkilökohtaisia suojavarusteita ja aina suojalaseja.** Henkilökohtaiset suojavarusteet, kuten hengityssuojain, luistamattomat turvajalkineet, kypärä ja kuulosuojaimet, pienentävät oikein käytettyinä loukkaantumisriskiä sähkötyökalun käyttötilanteesta riippuen.
- ▶ **Varo tahatonta käynnistämistä. Varmista, että sähkötyökalu on kytketty pois päältä, ennen kuin liität sen verkkovirtaan ja/tai liität siihen akun, otat sen käteesi tai kannat sitä.** Jos kannat sähkötyökalua sormi käyttökytkimellä tai liität pistokkeen pistorasiaan käyttökytkimen ollessa käyntiasennossa, altistat itsesi onnettomuuksille.
- ▶ **Poista kaikki säätötyökalut ja ruuvitalat, ennen kuin käynnistät sähkötyökalun.** Työkalu tai avain, joka sijaitsee koneen pyöriässä osassa, saattaa johtaa loukkaantumiseen.
- ▶ **Vältä vaikeita työskentelyasentoja. Varmista aina tukeva seisoma-asento ja tasapaino.** Siten voit paremmin hallita sähkötyökalua odottamattomissa tilanteissa.
- ▶ **Käytä työohsi soveltuvia vaatteita. Älä käytä löysiä työvaatteita tai koruja. Pidä hiukset, vaatteet ja käsineet loitolla liikkuvista osista.** Väljät vaatteet, korut ja pitkät hiukset voivat takertua liikkuviin osiin.
- ▶ **Jos pölynpoisto- ja keräilylaitteita voidaan asentaa, sinun on tarkastettava, että ne on liitetty oikein ja että niitä käytetään oikealla tavalla.** Pölynpoistovarustuksen käyttö vähentää pölyn aiheuttamia vaaroja.
- ▶ **Älä tuudittaudu virheelliseen turvallisuuden tunteeseen äläkä laiminlyö sähkötyökaluja koskevia turvallisuusohjeita silloinkaan, kun mielestäsi jo olet kokenut sähkötyökalun käyttäjä.** Harkitsema-ton ja huolimaton toiminta voi sekunnin murto-osissa johtaa vakaviin loukkaantumisiin.

## Sähkötyökalun käyttö ja käsittely

- ▶ **Älä ylikuormita konetta. Käytä kyseiseen työhön tarkoitettua sähkötyökalua.** Sopivaa sähkötyökalua käyttäen työskentelet paremmin ja varmemmin tehoalueella, jolle sähkötyökalu on tarkoitettu.
- ▶ **Älä käytä sähkötyökalua, jonka käyttökytkin ei toimi.** Sähkötyökalu, jota ei enää voida käynnistää ja pysäyttää käyttökytkimellä, on vaarallinen ja se täytyy korjata.
- ▶ **Irrota pistoke pistorasiasta ja/tai irrota akku ennen kuin muut säätöjä, vaihdat terää tai lisävarusteita ja kun lopetat koneen käyttämisen.** Tämä turvatoimenpide estää sähkötyökalun tahattoman käynnistysriskin.
- ▶ **Säilytä sähkötyökalut poissa lasten ulottuvilta, kun niitä ei käytetä. Älä anna toisten henkilöiden käyttää konetta, elleivät he ole perehtyneet sen käyttöön ja lukeneet käyttöohjeita.** Sähkötyökalut ovat vaarallisia, jos niitä käyttävät kokemattomat henkilöt.
- ▶ **Hoida sähkötyökaluja ja niiden varusteita huolella. Tarkasta, että liikkuvat osat toimivat moitteettomasti eivätkä ole puristuksissa, ja tarkasta myös, ettei sähkötyökalussa ole murtuneita tai vaurioituneita osia, jotka saattaisivat haitata sen toimintaa. Korjauta vaurioituneet osat ennen koneen käyttämistä.** Usein loukkaantumisten ja tapaturmien syynä on sähkötyökalujen laiminlyöty huolto.
- ▶ **Pidä terät terävinä ja puhtaina.** Huolella hoidetut terät, joiden leikkausreunat ovat teräviä, eivät jumitu herkästi, ja niillä työnteko on kevyempää.
- ▶ **Käytä sähkötyökalua, lisävarusteita ja tarvikkeita, teriä jne. niiden käyttöohjeiden mukaisesti. Ota tällöin työolosuhteet ja suoritettava työtehtävä huomioon.** Sähkötyökalun käyttö muuhun kuin sille tarkoitettuun käyttöön saattaa johtaa vaarallisiin tilanteisiin.



- **Pidä käsikahvat ja tartuntapinnat kuivina, puhtaina, öljyttöminä ja rasvattomina.** Jos käsikahvat tai tartuntapinnat ovat liukkaat, sähkötyökalun turvallinen käyttö ja hallinta voi yllättävissä tilanteissa olla mahdotonta.

#### Huolto

- **Anna koulutettujen ammattihenkilöiden korjata sähkötyökalusi ja hyväksy korjauksiin vain alkupe- räisiä varaosia.** Siten varmistat, että sähkötyökalu säilyy turvallisena.

## 2.2 Poravasaroita koskevat turvallisuusohjeet

### Turvallisuusohjeet kaikkiin töihin

- **Käytä kuulosuojaimia.** Melu saattaa heikentää kuuloasi.
- **Käytä koneen mukana toimitettuja lisäkäsikahvoja.** Koneen hallinnan menettäminen saattaa aiheuttaa loukkaantumisia.
- **Pidä koneesta kiinni vain sen eristetyistä kahvapinnoista, jos teet työtä, jossa sähkötyökalun terä saattaa osua rakenteen sisällä olevaan virtajohtoon tai koneen verkkojohtoon.** Jos terä osuu virtajohtoon, koneen metalliosiin saattaa johtua virta, jolloin saatat saada sähköiskun.

## 2.3 Lisää piikkausvasaran turvallisuusohjeita

### Henkilöturvallisuus

- Käytä vain tuotetta ja lisävarusteita, jotka ovat teknisesti moitteettomassa kunnossa.
- Älä koskaan tee tuotteeseen tai lisävarusteisiin minkäänlaisia muutoksia.
- Kattoa, seinää ja lattiaa piikattaessa varmista turvallinen ja varma pystyssä pysyminen. Kohteen äkillinen murtuminen voi suistaa sinut tasapainosta!
- Kun teet reikiä, varmista työstettävän kohdan taustapuoli. Putoamaan tai sinkoutumaan pääsevät palaset voivat aiheuttaa muille vammoja.
- Koneen käyttämisen aikana käyttäjän ja välittömässä läheisyydessä olevien henkilöiden on käytettävä soveltuvia suojalaseja, suojakypärää, kuulosuojaimia, suojakäsineitä ja kevyttä hengityssuojainta.
- Käytä työkaluterän vaihdossa suojakäsineitä. Työkaluterän koskettaminen saattaa aiheuttaa haavoja ja palovammoja.
- Käytä suojalaseja. Sirpaleet saattavat aiheuttaa vammoja ja vahingoittaa silmiä.
- Hiottaessa, kiillotettaessa, leikattaessa ja porattaessa syntyvä pöly saattaa sisältää vaarallisia kemikaaleja. Niistä esimerkkejä ovat: lijy tai lijyypitoiset maalit; tiili, betoni ja muut muuraustuotteet, luonnonkivi ja muut silikaatteja sisältävät tuotteet; tietyt puulajit kuten tammi, pyökki ja kemiallisesti käsitellyt puut; asbesti tai asbestia sisältävät materiaalit. Määritä työstettävien materiaalien vaaraluokituksen perusteella käyttäjän ja lähellä olevien henkilöiden altistumisvaara. Ryhdy tarvittaviin toimenpiteisiin altistumisen pitämiseksi turvallisella tasolla, esimerkiksi käytettävä pölynkeräysjärjestelmää tai soveltuvaa hengityssuojainta. Altistumisen määrää pienentäviä yleisluonteisia toimenpiteitä ovat:
  - työn tekeminen hyvin tuulettuvassa tilassa,
  - pitkään kestävästä pölyaltistuksesta välttäminen,
  - pölyn ohjaaminen pois kasvoilta ja keholta,
  - suojavaatetuksen käyttö ja kehon altistuneiden kohtien pesu vedellä ja saippualla.
- Pidä työssäsi usein taukoja, joiden aikana tee sormien verenkiertoa parantavia sormivoimisteluliikkeitä. Pitempään jatkuva työnteko saattaa tänä vuoksi aiheuttaa verenkiertohäiriöitä tai sormien, käsien ja ranteiden hermokipuja.

### Sähköturvallisuus

- Tarkasta ennen työn aloittamista, onko työskentelyalueella rakenteiden sisälle asennettuja sähköjohtoja tai kaasu- ja vesiputkia. Tuotteen ulkopinnan metalliosista saatat saada sähköiskun tai aiheuttaa räjähdyksen, jos vahingossa osut sähköjohtoon, kaasuputkeen tai vesiputkeen.

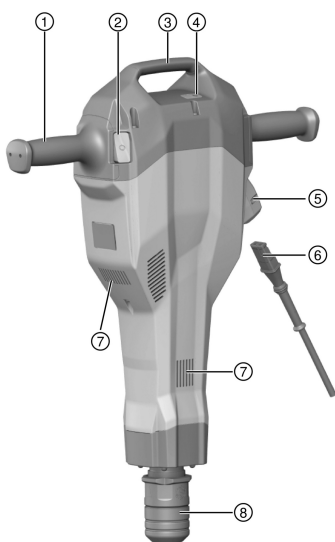
### Sähkötyökalujen käyttö ja hoito

- Kytke tuote päälle vasta, kun olet asettanut sen työn aloittamiskohtaan.
- Odota, että tuote on täysin pysähtynyt, ennen kuin lasket sen kädestäsi.



### 3 Kuvaus

#### 3.1 Yhteenveto TE 2000-AVR 1



- ① Käsikahva
- ② Käyttökytkin
- ③ Kantokahva
- ④ Huoltotarpeen merkkivalo
- ⑤ Verkkopistoke
- ⑥ Irrotettava verkkojohto
- ⑦ Jäähdytysilmaraot
- ⑧ Istukka

#### 3.2 Kuljetusvaunun yhteenveto 2

- ① Kahva
- ② Lukituskaari
- ③ Työkalujen (piikkausterien) teline
- ④ Pyörät
- ⑤ Pyörälukko (levy, sokka)
- ⑥ Koneen kiinnitystappi

#### 3.3 Tarkoituksenmukainen käyttö

Kuvattu tuote on käsiohjattava piikkausvasara. Se on tarkoitettu betonin, tiilen, muurauksen ja asvaltin piikkaustöihin. Sitä voidaan käyttää myös junntaamiseen ja kaivamiseen.

Koneen saa liittää vain verkkovirtaan, jonka jännite ja taajuus vastaavat koneen tyyppikilvessä olevia tietoja.

#### 3.4 Ennakoitavissa oleva virheellinen käyttö

- Konetta saa käyttää vain kuivassa ympäristössä.
- Älä käytä konetta paikoissa, joissa on tulipalo- tai räjähdysvaara.
- Terveydelle vaarallisia materiaaleja (esimerkiksi asbesti) ei saa työstää.

#### 3.5 Active Vibration Reduction

Tuotteessa on Active Vibration Reduction (AVR) -järjestelmä, joka merkittävästi vähentää tärinää.

#### 3.6 Huoltotarpeen merkkivalo

Piikkausvasarassa on huoltotarpeen merkkivalo.

Tila	Merkitys
Huoltotarpeen merkkivalo palaa punaisena.	Käyttöajan perusteella huolto on tullut ajankohtaiseksi. Vie kone ajoissa <b>Hilti</b> -huoltoon, jotta kone on aina käyttövalmis. Kone vaurioitunut.
Huoltotarpeen merkkivalo vilkkuu punaisena.	Ylikuumentumisuoja Tuleva jännite on liian suuri.



### 3.7 Toimituksen sisältö

Piikkausvasara, irrotettava verkkojohto, käyttöohje, rasvaa. Kuljetusvaunu on saatavissa lisävarusteena. Muita tälle tuotteelle hyväksytyjä järjestelmätuotteita löydät **Hilti**-edustajalta tai internetistä osoitteesta: [www.hilti.group](http://www.hilti.group)

## 4 Tekniset tiedot

### 4.1 Piikkausvasara

Nimellisjännitteen, nimellisvirran, verkkovirran taajuuden ja/tai nimellisottotehon näet maakohtaisesta tyyppikilvestä.

Jos konetta käytetään generaattoriin tai muuntajaan liitettynä, generaattorin tai muuntajan antotehon pitää olla vähintään kaksi kertaa niin suuri kuin koneen tyyppikilpeen merkitty nimellisottoteho. Muuntajan tai generaattorin käyttöjännitteen pitää aina olla rajoissa +5 % ja -15 % koneen nimellisjännitteestä.

	TE 2000-AVR
Tuotesukupolvi	01
Paino EPTA 01 mukaan	14,5 kg
Iskuluku	30 Hz
Suojausluokka	II

### 4.2 Melutiedot ja värinäarvot

Tässä käyttöohjeessa annetut äänenpaine- ja värinäarvot on mitattu standardoitujen mittausmenetelmien mukaisesti, ja näitä arvoja voidaan käyttää sähkötyökalujen vertailussa. Ne soveltuvat myös altistumisten tilapäiseen arviointiin.

Annetut arvot koskevat sähkötyökalun pääasiallisia käyttötarkoituksia. Jos sähkötyökalua kuitenkin käytetään muihin tarkoituksiin, poikkeavia työkaluteriä käyttäen tai puutteellisesti huollettuna, arvot voivat poiketa tässä ilmoitetuista. Tämä saattaa merkittävästi lisätä altistumista koko työskentelyajan aikana.

Altistumisia tarkasti arvioitaessa on otettava huomioon myös ne ajat, jolloin sähkötyökalu on kytketty pois päältä tai jolloin sähkötyökalu on päällä, mutta sillä ei tehdä varsinaista työtä. Tämä saattaa merkittävästi vähentää altistumista koko työskentelyajan aikana.

Käyttäjän suojaamiseksi melun ja/tai värinän vaikutuselta ryhdy tarpeellisiin turvatoimenpiteisiin kuten: Sähkötyökalun ja siihen kiinnitettävien työkaluterien huolto, käsien lämpimänä pitäminen, työtehtävien organisointi.

Yksityiskohtaista tietoa tässä sovelletuista **EN 62841**-standardin versioista löydät kohdasta Vaatimus-temmukaisuusvakuutuksen kuva 163.

### Melupäästöarvot

Mitattu äänitehotaso ( $L_{WA}$ )	96 dB(A)
Äänitehotason epävarmuus ( $K_{WA}$ )	3 dB(A)
Melupäästön äänenpainetaso ( $L_{pA}$ )	88 dB(A)
Äänenpainetaso epävarmuus ( $K_{pA}$ )	3 dB(A)

### Tärinäarvot

Piikkaaminen ( $a_{h, Cheq}$ )	3,9 m/s <sup>2</sup>
Epävarmuus (K)	1,5 m/s <sup>2</sup>

## 5 Käyttö

### 5.1 Työkohteen valmistelu

#### VAROITUS

**Loukkaantumisvaara!** Tuotteen käynnistyminen vahingossa.

- ▶ Irrota pistoke verkkopistorasiasta, ennen kuin muutat koneen säätöjä tai vaihdat lisävarusteosia.



Noudata tässä dokumentaatioissa ja tuotteessa olevia turvallisuus- ja varoitushuomautuksia.

### 5.1.1 Verkkojohdon liittäminen koneeseen



Irotettavan pistokkeen saa liittää tuotteeseen vain, kun pistoke on puhdas, kuiva ja jännitteetön. Liitoksessa on koodausmuoto.

1. Ota verkkojohto esille kuljetuspakkauksesta.
2. Liitä pistoke koneeseen siten, että se kuuluvasti lukittuu.
3. Liitä verkkopistoke verkkopistorasiaan.

### 5.1.2 Työkaluterän kiinnitys

1. Irrota verkkopistoke verkkopistorasiasta.
2. Rasvaa työkaluterän istukkapää kevyesti.
  - ▶ Käytä vain alkuperäistä **Hilti**-rasvaa. Vääränlainen rasva voi vaurioittaa konetta.
3. Laita työkaluterä istukkaan ja kierrä työkaluterää hiukan painaen siten, että se kuuluvasti lukittuu kiinni.
4. Tarkasta työkaluterän kunnollinen lukittuminen vetämällä työkaluterästä.

### 5.1.3 Työkaluterän irrotus



#### **VAROITUS**

**Loukkaantumisvaara!** Työkaluterä voi olla kuuma ja/tai teräväreunainen.

- ▶ Käytä suojakäsineitä, kun vaihdat työkaluterää.
- ▶ Älä koskaan laske työkaluterää syttyvälle alustalle.

1. Irrota verkkopistoke verkkopistorasiasta.
2. Vedä työkaluterän lukitsin taaksepäin vasteeseen saakka.
3. Irrota työkaluterä.

## 5.2 Työskentely



#### **VAARA**

**Sähköiskun aiheuttama vaara!** Jos maadotusjohdin ja vikavirtasuojakytkin puuttuvat, seurauksena voi olla vakavia loukkaantumisia ja palovammoja.

- ▶ Varmista, että rakennustyömaan virtajohdossa, joka tulee joko sähköverkosta tai generaattorilta, on aina olemassa ja liitettynä maadotusjohdin ja vikavirtasuojakytkin.
- ▶ Älä käytä tuotetta, elleivät nämä turvallisuustoimenpiteet ole kunnossa.



#### **VAARA**

**Johdon vaurion aiheuttama vaara!** Jos verkkojohto tai jatkojohto vaurioituu käytön aikana, älä kosketa johtoa. Irrota verkkopistoke verkkopistorasiasta.

- ▶ Tarkasta verkkojohdon kunto säännöllisesti, ja jos havaitset vaurioita, vaihdata verkkojohto erikoiskorjaamossa.

Hanki töiden koko laajuudelle työnjohdon suostumus!

### 5.2.1 Piikkaaminen

1. Liitä verkkopistoke verkkopistorasiaan.
2. Aseta piikkausterä haluamaasi asentoon.
3. Paina käyttökytkintä.



Koneen käyttö alhaisissa lämpötiloissa:

Koneen iskumekanismi vaatii toimiakseen tietyn minimilämpötilan. Jotta se saavutetaan, laske kone hetkeksi alustalle ja anna koneen käydä hetki tyhjäkäyntiä. Tarvittaessa toista tämä, kunnes iskumekanismi toimii.

### 5.2.2 Kytkeminen pois päältä

1. Paina käyttökytkintä.





2. Irrota verkkopistoke verkkopistorasiasta.

### 5.2.3 Työskentelyohjeita



Piikkaustyökalun voi kiinnittää 6 eri asentoon (60°:n välein). Näin latta- ja muotopiikkaustyökalun saa kiinnitettyä aina työn kannalta sopivimpaan asentoon.

- ▶ Aseta piikkausterä noin 80-100 mm:n (3 1/8" - 4") päähän reunasta.
- ▶ Jos piikattavassa materiaalissa on raudoitusta, ohjaa piikkausterä aina materiaalin reunaa vasten, älä raudoitusta vasten.
- ▶ Aloita piikkaaminen piikkausterä 70° - 80° kulmassa betonin pintaan nähden ja suuntaa kärki reunaa kohti. Käännä sitten kulmaa suuntaan 90° ja murra materiaali irti.
- ▶ Käännä piikkausterä säännöllisin välein, koska tasainen kuluminen tehostaa itseteroittumista.
- ▶ Liian pieni painamisvoima johtaa piikkausterän hyppimiseen. Liian suuri painamisvoima alentaa piikkaus-tehoa.

## 6 Lisävaruste kuljetusvaunu

### 6.1 Kuljettaminen

Kuljetusvaunu on piikkausvasaran turvallinen kuljetusvaihtoehto.

- Varmista, että kuljetusvaunu pysyy turvallisesti pystyssä.
- Laita kone sille tarkoitettuun kiinnitystappiin ja varmista kiinnityskaarella koneen pysyminen paikallaan kuljetusvaunussa.
- Aseta piikkausterät terien kannattimeen siten, että ne lukittuvat paikoilleen.
- Varmista kuljetusreittien turvallisuus.
- Älä jätä kuljetusvaunua kaltevalle pinnalle.

## 7 Huolto, hoito ja kunnossapito



### VAARA

**Sähköiskun vaara!** Hoito- ja kunnostustöiden suorittaminen pistoke pistorasiaan liitettynä voi johtaa vakaviin loukkaantumisiin ja palovammoihin.

- ▶ Irrota pistoke verkkopistorasiasta aina ennen hoito- ja kunnostustöitä!

### Huolto ja hoito

- Poista pinttynyt lika varovasti.
- Puhdista jäähdytysilmaraot varovasti kuivalla harjalla.
- Käytä kotelon puhdistamiseen vain kevyesti kostutettua kangasta. Älä käytä silikonia sisältäviä hoitoaineita, sillä ne voivat vaurioittaa muoviosia.

### Kunnossapito



### VAARA

**Sähköiskun aiheuttama vaara!** Sähköosien asiantuntemattomat korjaukset voivat aiheuttaa vakavia loukkaantumisia ja palovammoja.

- ▶ Sähköosien korjaustyöt saa tehdä ainoastaan valtuutettu sähköasentaja.
- Tarkasta säännöllisin välein kaikkien näkyvien osien mahdolliset vauriot ja käyttöelementtien moitteeton toiminta.
- Jos havaitset vaurioita ja / tai toteat toimintahäiriöitä, älä käytä tuotetta. Korjauta heti **Hilti**-huollossa.
- Hoito- ja kunnostustöiden jälkeen kiinnitä kaikki suojalaitteet ja tarkasta niiden toiminta.



Käyttöturvallisuuden varmistamiseksi käytä vain alkuperäisiä varaosia ja käyttömateriaaleja. Tälle tuotteelle hyväksytyjä varaosia, kulutusmateriaaleja ja lisävarusteita löydät **Hilti Store** -liikkeestä tai osoitteesta: [www.hilti.group](http://www.hilti.group).



## 8 Apua häiriötilanteisiin

Häiriöissä, joita ei ole kuvattu tässä taulukossa tai joita et itse pysty poistamaan, ota yhteys **Hilti**-huoltoon.

### 8.1 Häiriötilannetaulukko

Häiriö	Mahdollinen syy	Ratkaisu
Kone ei käynnisty	Elektroniikan perusasetus on käynnissä (kestää noin 4 sekuntia pistotokkeen liittämissä jälkeen)	► Kytke kone pois päältä ja uudelleen päälle.
	Katkos verkkojännitteen saannissa	► Liitä toinen sähkötyökalu ja tarkasta toiminta.
	Verkkojohto tai pistoke rikki	► Tarkastuta ja tarvittaessa vaihdata ammattitaitoisessa erikoiskorjaamossa.
	Generaattori jossa Sleep Mode	► Kuormita generaattoria toisella kuluttimella (esimerkiksi työmaalampulla). Kytke sitten kone päälle ja taas pois päältä.
Ei iskua	Kone on liian kylmä	► Anna koneen lämmetä minimilämpötilaansa.
	Vaurio koneessa	► Korjauta kone <b>Hilti</b> -huollossa.
Kone ei käynnisty tai kytkeytyy käytön aikana pois päältä ja merkivalo vilkkuu punaisena	Hetkellinen vika (esimerkiksi ylikuumentuminen tai ylijännite)	► Kytke kone pois päältä, anna koneen jäähtyä tai liitä kone toiseen virtalähteeseen.
Kone käynnistyy, mutta merkivalo palaa punaisena	Huoltotarpeen varoitus	► Teetä huolto- ja korjaustyöt <b>Hilti</b> -huollossa.
Kone ei käynnisty tai kytkeytyy käytön aikana pois päältä	Jatkojohto liian pitkä tai sen poikkipinta-ala on liian pieni	► Käytä jatkojohtoa, jonka pituus on sallittu ja poikkipinta-ala riittävä.
	Irotettava verkkojohto ei ole kunnolla kiinni.	► Liitä irrotettava verkkojohto oikein sähkötyökaluun.

## 9 Hävittäminen

**Hilti**-työkalut, -koneet ja -laitteet on pääosin valmistettu kierrätyskelpoisista materiaaleista. Kierrätyksen edellytys on materiaalien asianmukainen lajittelu. Useissa maissa **Hilti** ottaa vanhat koneet ja laitteet vastaan kierrätystä ja hävitystä varten. Lisätietoja saat **Hilti**-huollosta tai -edustajalta.



- Älä hävitä sähkötyökaluja, elektronisia laitteita ja akkuja tavallisen sekajätteen mukana!

## 10 RoHS (vaarallisten aineiden käytön rajoittamisen direktiivi)

Vaarallisten aineiden taulukon löydät seuraavasta linkistä: [qr.hilti.com/r6025050](http://qr.hilti.com/r6025050).

Linkki RoHS-taulukoon on tämän dokumentaation lopussa QR-koodina.

## 11 Valmistajan myöntämä takuu

- Jos sinulla on takuuehtoihin liittyviä kysymyksiä, ota yhteys paikalliseen **Hilti**-edustajaan.



# Originaalkasutusjuhend

## 1 Andmed kasutusjuhendi kohta

### 1.1 Käesoleva käsitemisjuhendi kohta

- **Hoiatus!** Enne toote kasutamist veenduge, et olete tootele lisatud kasutusjuhendi, sealhulgas juhised, ohutus- ja hoiatusviited, joonised ja spetsifikatsioonid, läbi lugenud ja sellest aru saanud. Tutvuge eriti kõigi juhiste, ohutus- ja hoiatusviidete, jooniste, spetsifikatsioonide ning komponentide ja funktsioonidega. Selle eiramisel esineb elektrilöögi, tulekahju ja/või raskete vigastuste oht. Hoidke kasutusjuhend koos kõigi juhiste, ohutus- ja hoiatusviidetega hilisemaks kasutamiseks alles.
- **HILTI** tooted on ette nähtud professionaalsele kasutajale ja neid tohivad käsitseda, hooldada ja korras hoida ainult volitatud ja asjaomase väljaõppega isikud. Nimetatud personal peab olema teadlik kõikidest kaasnevatest elektrilöögi, tulekahju ja/või raskete vigastuste ohtudest. Seade ja sellega ühendatavad abivahendid võivad osutada ohtlikuks, kui neid ei kasutata nõuetekohaselt või kui nendega töötab vastava väljaõppeta isik.
- Lisatud kasutusjuhend vastab tehnika käesolevale tasemele trükkimise ajal. Uusima versiooni leiate alati veebist Hilti toote leheküljelt. Järgige selleks sümboliga tähistatud linki või QR-koodi käesolevas kasutusjuhendis.
- Andke toode teistele edasi ainult koos käesoleva kasutusjuhendiga!

### 1.2 Märkide selgitus

#### 1.2.1 Hoiatused

Hoiatused annavad märku toote kasutamisel tekkivatest ohtudest. Kasutatakse järgmisi märksõnu:



**OHT !**

- ▶ Võimalikud ohtlikud olukorrad, mis võivad põhjustada kasutaja raskeid kehavigastusi või hukkamist.



**HOIATUS !**

- ▶ Võimalik ohtlik olukord, mis võib põhjustada kasutaja raskeid kehavigastusi või hukkamist.



**ETTEVAATUST !**

- ▶ Võimalikud ohtlikud olukorrad, mis võivad põhjustada kehavigastusi või varalist kahju.

#### 1.2.2 Sümbolid kasutusjuhendis

Käesolevas kasutusjuhendis kasutatakse järgmisi sümboleid:

	Järgige kasutusjuhendit
	Soovitusi seadme kasutamiseks ja muu kasulik teave
	Taaskasutatavate materjalide käsitlemine
	Elektrilisi tööriistu ja akusid ei tohi visata olmejäätmete hulka

#### 1.2.3 Joonistel kasutatud sümbolid

Joonistel kasutatakse järgmisi sümboleid.

	Numbrid viitavad vastavatele joonistele kasutusjuhendi juhendi alguses.
	Numbrid joonistel tähistavad tähtsaid toiminguid või toimingute jaoks tähtsaid detaile. Tekstis tõstetakse need toimingud või detailid vastava numbrilise abil esile, näiteks <b>(3)</b> .
	Positsiooninumbrid kasutatakse joonisel <b>Ülevaade</b> ja need viitavad selgituste numbrilisele <b>toote ülevaates</b> .





See märk näitab, et toote käsitsemisel tuleb olla eriti tähelepanelik.

### 1.3 Tootest sõltuvad sümbolid

#### 1.3.1 Sümbolid tootel

Tootel kasutatakse järgmisi sümboleid.

	Kaitseklass II (topeltisolatsioon)
	Hoolduse indikaatorituli

## 2 Ohutus

### 2.1 Üldised ohutusnõuded elektriliste tööriistade kasutamisel

**⚠ HOIATUS! Lugege kõiki selle elektrilise tööriista juurde kuuluvaid ohutusjuhiseid, nõuandeid, jooniseid ja tehnilisi andmeid!** Järgmiste juhiste eiramise tagajärg võib olla elektrilöök, tulekahju ja/või rasked vigastused.

**Hoidke kõik ohutusnõuded ja juhised edaspidiseks kasutamiseks alles.**

Ohutusjuhistes kasutatud mõiste "elektriline tööriist" käib võrgutoitega (toitejuhtmega) elektriliste tööriistade või akutoitega (toitejuhtmeta) elektriliste tööriistade kohta.

#### Ohutus töökohal

- ▶ **Hoidke oma töökoht puhas ja valgustage seda korralikult.** Korrastamata ja valgustamata töökoht võib põhjustada õnnetusi.
- ▶ **Ärge kasutage elektrilist tööriista plahvatusohtlikus keskkonnas, kus leidub tuleohtlikke vedelikke, gaase või tolmu.** Elektrilistest tööriistadest lööb sademeid, mis võivad tolmu või auru süüdata.
- ▶ **Hoidke lapsed ja kõik teised töökohast eemal, kui kasutate elektrilist tööriista!** Kui teie tähelepanu juhitakse kõrvale, võib seade teie kontrolli alt väljuda.

#### Elektriohutus

- ▶ **Elektrilise tööriista pistik peab sobima pistikupessa. Pistiku juures ei tohi teha mingeid muudatusi. Kaitsemaandusega seadmete puhul ei tohi kasutada adapterpistikuid.** Muutmata pistikud ja sobivad pistikupesad vähendavad elektrilöögiohtu.
- ▶ **Vältige keha kontakti maandatud pindadega (nt toru, radiaator, pliit, külmik).** Kui teie keha on maandatud, on elektrilöögi oht suurem.
- ▶ **Kaitske elektrilist tööriista vihma ja niiskuse eest.** Kui elektrilise tööriista sisesse satub vett, suurendab see elektrilöögiohtu.
- ▶ **Ärge kasutage ühenduskaablit elektrilise tööriista kandmiseks, riputamiseks ega pistiku stepslist väljatõmbamiseks!** Hoidke ühenduskaablit eemal kuumusest, õlidest, teravatest servadest ja liikuvatest osadest. Kahjustatud või keerdsu ühenduskaablid suurendavad elektrilöögiohtu.
- ▶ **Kui töötate elektrilise tööriistaga vabas õhus, kasutage ainult selliseid pikendusjuhtmeid, mida tohib kasutada ka välitingimustes.** Välitingimustesse sobiva pikendusjuhtme kasutamine vähendab elektrilöögiohtu.
- ▶ **Kui seadmega töötamine niiskes keskkonnas on vältimatu, kasutage rikkevoolu kaitseülilitit.** Rikkevoolu kaitseüliliti kasutamine vähendab elektrilöögiohtu.

#### Inimeste ohutus

- ▶ **Olge tähelepanelik, jälgige, mida teete, ja toimige elektrilise tööriistaga töötades kaalutletult. Ärge töötage elektrilise tööriistaga, kui olete väsinud või alkoholi, narkootikumide või ravimite mõju all!** Hetkeline tähelepanematus elektrilise tööriista kasutamisel võib põhjustada raskeid kehavigastusi ja varalist kahju.
- ▶ **Kandke isiklikke kaitsevahendeid ja alati kaitseprille.** Isiklike kaitsevahendite, nt tolmumaski, libisemiskindlate turvajalatsite, kaitsekiivri või kuulmiskaitsevahendite kandmine (sõltuvalt elektrilise tööriista tüübist ja kasutusala) vähendab vigastusohtu.
- ▶ **Vältige elektrilise tööriista soovimatut käivitamist! Enne elektrilise tööriista ühendamist vooluvõrku ja/või elektrilise tööriista aku paigaldamist, tööriista ülestõstmist ja kandmist veenduge, et elektriline tööriist on välja lülitatud!** Kui hoiate elektrilise tööriista kandmisel sõrme lülilil või ühendate vooluvõrku sisselülitatud tööriista, võib juhtuda õnnetus.
- ▶ **Enne elektrilise tööriista sisselülitamist eemaldage selle küljest seade- ja mutrivõtmed.** Elektrilise tööriista pöörleva osa küljes olev seade- või mutrivõti võib põhjustada vigastusi.



- ▶ **Vältige ebataivalist tööasendit! Võtke stabiilne tööasend ja säilitage alati tasakaal.** Nii saate elektrilist tööriista ootamatutes olukordades paremini kontrollida.
- ▶ **Kandke sobivat rõivastust. Ärge kandke laiu riideid ega ehteid! Hoidke juuksed, rõivad ja kindad seadme liikuvatest osadest eemal.** Lotendavad riided, ehted ja pikad juuksed võivad sattuda seadme liikuvate osade vahele.
- ▶ **Kui elektrilise tööriista külge on võimalik paigaldada tolmuemaldus- ja kogumiseseadiseid, veenduge, et need on tööriistaga ühendatud ja et neid kasutatakse nõuetekohaselt.** Tolmuemaldusseadise kasutamine võib vähendada tolmu tinglevust.
- ▶ **Ärge laske tekkida petlikul turvatundel ega eirake elektrilise tööriista ohutusreegleid isegi siis, kui olete pärast paljukordset kasutamist elektrilise tööriistaga harjunud.** Tähelepanematu käsitsemine võib sekundi mürdosa jooksul kaasa tuua raskeid vigastusi.

#### Elektrilise tööriista kasutamine ja käsitsemine

- ▶ **Ärge koormake seadet üle! Kasutage konkreetseks tööks sobivat elektrilist tööriista.** See töötab ettenähtud jõudluspiirides tõhusamalt ja ohutumalt.
- ▶ **Ärge kasutage elektrilist tööriista, mille lüliti on rikkis!** Elektriline tööriist, mida ei saa enam lülitist korralikult sisse ja välja lülitada, on ohtlik ning tuleb viia parandusse.
- ▶ **Tõmmake enne seadme mis tahes seadetöid, tarvikute vahetamist ja seadme hoieulepanekut pistik pistikupesast välja ja/või eemaldage äravõetav aku.** See ettevaatusabinõu hoiab ära seadme soovimatu käivitumise.
- ▶ **Kasutusvälisel ajal hoidke elektrilist tööriista lastele kättesaamatus kohas. Ärge laske seadet kasutada isikutel, kes seadme tööpõhimõtet ei tunne või ei ole lugenud käesolevaid kasutusjuhendeid.** Asjatundmatute isikute käes on elektrilised tööriistad ohtlikud.
- ▶ **Hooldage elektrilisi tööriista ja tarvikuid korralikult. Kontrollige, kas liikuvad osad töötavad veatult ega kiilu kiini. Veenduge, et seadme osad ei ole murdunud või kahjustatud määral, mis mõjutab seadme töökindlust. Laske kahjustatud osad enne seadme kasutamist parandada.** Ebapiisavalt hooldatud elektrilised tööriistad põhjustavad õnnetusi.
- ▶ **Hoidke lõiketarvikud teravad ja puhtad.** Hästi hooldatud, terava lõikeservadega lõiketarvikud kiiluvad harvemini kinni ja neid on lihtsam juhtida.
- ▶ **Kasutage elektrilist tööriista, tarvikuid ja lisatarvikuid vastavalt nende juhiste.** Arvestage seejuures töötingimuste ja tehtava töö iseloomuga. Elektrilise tööriista kasutamine otstarbel, milleks see ei ole ette nähtud, võib põhjustada ohtlikke olukordi.
- ▶ **Käepidemed ja haardepinnad peavad olema kuivad, puhtad ning vabad õlist ja rasvast.** Libedad käepidemed ja haardepinnad ei võimalda elektrilist tööriista ootamatutes olukordades kindlalt käsitseja ega kontrollida.

#### Hooldus

- ▶ **Laske elektrilist tööriista parandada ainult kvalifitseeritud spetsialistidel, kes kasutavad originaalvaruosi.** Nii on tagatud elektrilise tööriista ohutu töö.

## 2.2 Ohutusnõuded puurvasaratega töötamisel

### Ohutusnõuded kõikide tööde puhul

- ▶ **Kandke kuulmiskaitsevahendeid.** Müra võib kahjustada kuulmist.
- ▶ **Kasutage tarnekomplekti kuuluvaid lisakäepidemeid.** Kontrolli kaotus seadme üle võib põhjustada vigastusi.
- ▶ **Kui teete töid, mille puhul võib tarvik tabada varjatud elektrijuhtmeid või omaenda toitejuhet, hoidke seadet üksnes käepidemete isoleeritud pindadest.** Kokkupuude pingestatud elektrijuhtmega võib seada pingele alla ka seadme metaldetailid ja põhjustada elektrilöögi.

## 2.3 Täiendavad ohutusnõuded Piikvasar

### Inimeste turvalisus

- ▶ **Kasutage seadet ja lisatarvikuid ainult siis, kui nende tehniline seisukord on veatu.**
- ▶ **Ärge kunagi muutke ega modifitseerige seadet ega lisatarvikuid.**
- ▶ **Lagede, seinte ja põrandate meiseldamisel võtke ohutu ja stabiilne asend.** Äkiline läbimurre võib teid tasakaalust välja viia!
- ▶ **Läbistavate tööde korral turvake töödeldava koha taha jääv ala.** Murduvad osad võivad välja ja/või alla kukkuda ning teisi inimesi vigastada.
- ▶ **Seadet kasutades kandke sobivaid kaitseprille, kaitsekiivrit, kuulmiskaitsevahendeid, kaitsekindaid ja kergest hingamisteede kaitsemaski ning veenduge, et seda teevad ka läheduses viibivad inimesed.**
- ▶ **Tarviku vahetamisel kandke kaitsekindaid.** Tarviku puudutamine võib tekitada lõikehaavu ja põletusi.



- ▶ Kasutage kaitseprille. Materjalist väljalendavad killud võivad tekitada keha- ja silmavigastusi.
- ▶ Lihvimisel, lõikamisel ja puurimisel tekivad tolmud võivad sisaldada ohtlikke kemikaale. Mõned näited: plii või pliipõhised värvad; tellis, betoon ja muu müüritis, looduskivi ja muud silikaati sisaldavad tooted; teatud tüüpi puit, näiteks tamm, pöök ja keemiliselt töödeldud puit; asbest või asbesti sisaldavad materjalid. Tehke kindlaks kasutaja ja teiste läheduses viibivate isikutega kokkupuute tase, arvestades töödeldavate materjalide ohuklassi. Võtke vajalikud meetmed, et hoida kokkupuude ohutul tasemel, nt kasutage tolmukogumissüsteemi või kandke sobivat hingamisteede kaitse maski. Kokkupuute vähendamise üldiste meetmete hulka kuuluvad:
  - ▶ töötamine hästi ventileeritud piirkonnast,
  - ▶ tolmuga pikaajalise kokkupuute vältimine,
  - ▶ tolmu eemalejuhtimine näost ja kehast,
  - ▶ kaitserõivaste kandmine ja nähtavate kohtade pesemine vee ja seebiga.
- ▶ Tehke tihti pause ja sirutage sõrmi, et parandada verevarustust. Pikemaajalisel töötamisel võib tugev vibratsioon tekitada häireid sõrmede, käte või randmeliigeste veresoonte ja närvisüsteemi toimimises.

### Elektriõhusus

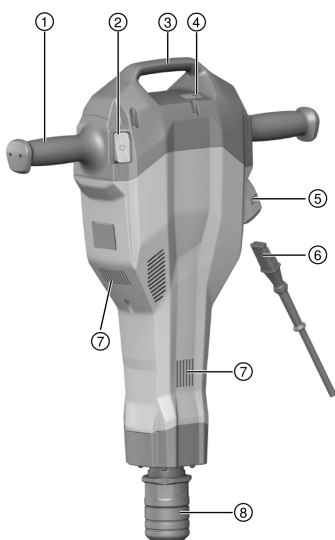
- ▶ Veenduge enne töö alustamist, et tööpiirkonnas ei ole varjatult paigaldatud elektrikaableid ega gaasi- ja veetorustikke. Pingestatud elektrijuhtme, gaasi- või veetoru vigastamise korral võivad seadme välised metallosad sattuda põhjustada plahvatuse või elektrilöögi.

### Elektritööriistade hoolikas käsitsemine ja kasutamine

- ▶ Lülitage seade sisse alles siis, kui see on viidud tööasendisse.
- ▶ Enne käestpanekut oodake, kuni seade on täielikult seiskunud.

## 3 Kirjeldus

### 3.1 Ülevaade TE 2000-AVR 1



- ① Käepide
- ② Toitelüliti
- ③ Käepide
- ④ Hoolduse indikaatorituli
- ⑤ Võrgupistik
- ⑥ Võrgujuhe
- ⑦ Ventilatsiooniväljund
- ⑧ Padrun

### 3.2 Transpordikäru ülevaade 2

- ① Käepide
- ② Lukustuskaar
- ③ Hoidik tarvikule (meisel)
- ④ Rattad
- ⑤ Ratta kinnitus (seib, splint)
- ⑥ Seadme kinnitamise torn

### 3.3 Eesmärgipärane kasutamine

Kirjeldatud toode on käsitsi juhitud piikvasar. See on ette nähtud betooni, müüritise ja asfaldi meiseldamiseks. Seda saab kasutada ka pinnase tihendamise- ja kaevetöödeks.



Seadet võib kasutada vaid siis, kui vooluvõrgu pinge ja sagedus ühtib seadme tüübisildil nimetatud võrgupinge ja sagedusega.

### 3.4 Ettenähtav väärkäsitsemine

- Seadet tohib kasutada üksnes kuivas keskkonnas.
- Ärge kasutage seadet tulekahju- ja plahvatusohu korral.
- Seadmega ei tohi töödelda tervisekahjulikke materjale (nt asbesti).

### 3.5 Active Vibration Reduction

Seade on varustatud Active Vibration Reduction (AVR) süsteemiga, mis vibratsiooni tuntavalt vähendab.

### 3.6 Hooldusnäit

Piikvasaral on võimsuse indikaatorituli, mis on varustatud valgussignaaliga.

Seisund	Tähendus
Hooldusnäit põleb punase tulega.	Käes on hoolduse tähtaeg. Toimetage toode õigeaegselt <b>Hilti</b> hooldekeskusse, nii on see alati töövalmis. Seade on kahjustada saanud.
Hooldusnäit vilgub punase tulega.	Ülekuumenemiskaitse Vooluvõrgu pinge on liiga kõrge.

### 3.7 Tarnekomplekt

Piikvasar, võrgujuhe, kasutusjuhend, määre. Teisaldamiskäru pakutakse lisatarvikuna.

Teised süsteemi kuuluvad tooted, mida on lubatud tööriistaga kasutada, leiata **Hilti** müügiesindusest või veebilehelt [www.hilti.group](http://www.hilti.group)

## 4 Tehnilised andmed

### 4.1 Piikvasar



Andmed nimipinge, nimivoolu, sageduse ja/või nimivõimsuse kohta leiata andmesildilt.

Generaatori või transformaatori kasutamisel peab selle väljundvõimsus olema vähemalt kaks korda suurem kui seadme tüübisildile märgitud nimisisendvõimsus. Transformaatori või generaatori tööpinge peab olema kogu aeg vahemikus + 5% ja - 15% seadme nimipingest.

	TE 2000-AVR
Tootepõlvkond	01
Kaal EPTA-Procedure 01 kohaselt	14,5 kg
Löökide arv	30 Hz
Kaitseklass	II

### 4.2 Teave müra ja vibratsiooni kohta

Käesolevas juhendis märgitud helirõhu- ja vibratsioonitase on mõõdetud standarditud mõõtemeetodil ja seda saab kasutada elektriliste tööriistade omavaheliseks võrdlemiseks. See sobib ka vibratsiooni- ja mürataseme esialgseks hindamiseks.

Toodud näitajad iseloomustavad elektrilise tööriista põhilisi ettenähtud töid. Kui aga elektrilist tööriista kasutatakse muul otstarbel, teiste tarvikutega või kui tööriista on ebapiisavalt hooldatud, võivad näitajad käesolevas juhendis toodud näitajatest kõrvale kalduda. See võib vibratsiooni- ja mürataset töötamise koguperioodil tunduvalt suurendada.

Müra- ja vibratsioonitaseme täpseks hindamiseks tuleb arvesse võtta ka aega, mil elektriline tööriist oli välja lülitatud või küll sisse lülitatud, kuid tegelikult tööle rakendamata. See võib vibratsiooni- ja mürataset töötamise koguperioodil tunduvalt vähendada.



Kasutaja kaitseks müra ja/või vibratsiooni eest võtke tarvitusele täiendavaid kaitsemeetmeid, näiteks: hooldage elektrilist tööriista ja tarvikuid korralikult, hoidke käed soojad, tagage sujuv töökorraldus.



Üksikasjalikku teavet standardite **EN 62841** siin kasutatud versioonide kohta leiab vastavusdeklaratsiooni koopialt 164.

#### Müratase

Möödetud helivõimsustase ( $L_{WA}$ )	96 dB(A)
Helivõimsustaseme mõõtemääramatus ( $K_{WA}$ )	3 dB(A)
Helirõhutase ( $L_{pA}$ )	88 dB(A)
Helirõhutaseme mõõtemääramatus ( $K_{pA}$ )	3 dB(A)

#### Andmed vibratsiooni kohta

Meiseldamine ( $a_{n, Cheq}$ )	3,9 m/s <sup>2</sup>
Mõõtemääramatus (K)	1,5 m/s <sup>2</sup>

## 5 Käsitsemine

### 5.1 Töö ettevalmistamine



#### ETTEVAATUST

**Vigastuste oht!** Seadme soovimatu käivitumine.

- ▶ Enne seadme seadistamist ja tarvikute vahetamist tõmmake pistik pistikupesast välja.

Järgige kasutusjuhendis esitatud ja tootele märgitud ohutusnõudeid ja hoiatusi.

#### 5.1.1 Toitejuhtme ühendamise seadmega



Lahtiühendatavat pistikühendust tohib seadmega ühendada vaid siis, kui see on puhas, kuivas ja pingestamata. Ühendus on kodeeritud.

1. Võtke toitejuhe transpordipakendist välja.
2. Viige pistikühendus seadmesse, kuni lukustus kuuldavalt kohale fikseerub.
3. Ühendage võrgupistik pistikupesasse.

#### 5.1.2 Tarviku paigaldamine

1. Tõmmake seadme võrgupistik pistikupesast välja.
2. Määrige tarviku padrunisse kinnitatavat osa veidi.
  - ▶ Kasutage üksnes **Hilti** originaalmääret. Vale määre võib seadet kahjustada.
3. Asetage tarvik padrunisse ja keerake seda kerge survega, kuni see kuuldavalt kohale fikseerub.
4. Tõmmake tarvikust, et kontrollida, kas see on kindlalt kinni.

#### 5.1.3 Tarviku eemaldamine



#### ETTEVAATUST

**Vigastuste oht!** Tarvik võib olla kuum ja/või teravate servadega.

- ▶ Tarviku vahetamisel kandke kaitsekindaid.
- ▶ Ärge asetage kuuma tarvikut tuleohtlikule aluspinnale.

1. Tõmmake seadme võrgupistik pistikupesast välja.
2. Tõmmake tarviku lukustus lõpuni tagasi.
3. Eemaldage tarvik.





## 5.2 Töötamine

### HOIATUS

**Elektrilöögi oht!** Puuduv maandusjuhe ja rikkevoolukaitselüüti võivad kaasa tuua raskeid vigastusi ja põletusi.

- ▶ Veenduge, et ehitusplatsi elektrikaablis (nii võrgu- kui generaatoritoite puhul) on alati olemas ja ühendatud maandusjuhe ja rikkevoolukaitselüüti.
- ▶ Ilma nende ohutusnõueteta ärge toodet tööle rakendage.

### HOIATUS

**Kahjustatud toitejuhe on ohtlik!** Ärge puudutage toitejuhet, kui see on töö käigus vigastada saanud. Tõmmake seadme pistik elektrikontaktist välja.

- ▶ Kontrollige regulaarselt seadme toitejuhet ja vigastuste tuvastamisel laske see elektriala asjatundjal välja vahetada.

Kooskõlastage kõik tööd projektijuhiga!

### 5.2.1 Meiseldamine

1. Ühendage võrgupistik pistikupesasse.
2. Asetage meisel soovitud asendisse.
3. Vajutage toitelülitile.



Töötamine madalatel temperatuuridel:

Löögimehhanism hakkab tööle teatud temperatuuril. Selle saavutamiseks asetage seade hetkeks maha ja laske sellel töötada tühikäigul. Vajadusel korrake seda protsessi niikaua, kuni löögimehhanism käivitub.

### 5.2.2 Väljalülitamine

1. Vajutage toitelülitile.
2. Tõmmake seadme võrgupistik pistikupesast välja.

### 5.2.3 Tööjuhised



Meislit saab lukustada 6 erinevasse asendisse (60° sammuga). Nii on lapik- ja profiilmeislitega võimalik alati töötada optimaalses tööasendis.

- ▶ Asetage meisel servast umbes 80-100 mm (3 1/8" - 4") kaugusele.
- ▶ Armatuurraua korral juhtige meislit alati vastu materjali serva, mitte vastu armatuurrauda.
- ▶ Alustage meiseldamist 70° - 80° nurga all ja suunake ots serva poole. Seejärel muutke nurka 90° suunas ja murdke materjal lahti.
- ▶ Keerake meislit regulaarselt, kuna ühtlane kulumine toetab iseteritamist.
- ▶ Liiga väike rakendatav surve põhjustab meisli hüppamist. Liiga suur rakendatav surve põhjustab meiseldusvõimsuse vähenemist.

## 6 Teisaldamiskäru valik

### 6.1 Transport

Teisaldamiskäru tagab piikvasara ohutu transpordi.

- Veenduge, et teisaldamiskäru on stabiilses asendis.
- Asetage seade selleks ette nähtud seadme kinnitamise tornile ja kinnitage see transportimise ajaks kinnituskarega.
- Asetage meisel selleks ettenähtud hoidikusse, kuni see kohale fikseerub.
- Veenduge, et transporditee on ohutu ja vaba takistustest.
- Ärge asetage käru kaldpindadele.



## 7 Hooldus ja korrashoid

### HOIATUS

**Elektrilöögi oht!** Seadme hooldus- ja korrashoiutööd toitevõrku ühendatud toitepistikuga võivad põhjustada raskeid vigastusi ja põletusi.

- ▶ Tõmmake toitepistik pistikupesast välja iga kord enne hooldus- ja korrashoiutööde tegemist!

#### Hooldus

- Kõvasti kinni olev mustus eemaldage ettevaatlikult.
- Puhastage ventilatsiooniasjad ettevaatlikult kuiva harjaga.
- Puhastage korpust kergelt niiske lapiga. Ärge kasutage silikooni sisaldavaid hooldusvahendeid, sest need võivad kahjustada seadme plastdetailaile.

#### Korrashoid

### HOIATUS

**Elektrilöögi oht!** Elektridetailide asjatundmatu parandamine võib kaasa tuua raskeid vigastusi ja põletusi.

- ▶ Elektridetailide tohivad parandada ainult elektriala asjatundjad.
- Kontrollige regulaarselt nähtavate osade ja juhtelementide laitmatut töökorda.
- Kahjustuste ja/või tõrgete korral ei tohi seadet kasutada. Laske tööriist kohe **Hilti** teeninduskeskuses parandada.
- Pärast hooldus- ja remonttöid paigaldage kõik kaitseseadised ja kontrollige nende töökorda.



Tööohutuse tagamiseks kasutage ainult originaalvaruosi ja -materjale. Teie tootega sobivad ja meie poolt heakskiidetud varuosad, materjalid ja tarvikud leiате kauplusest **Hilti Store** või veebilehelt: [www.hilti.group](http://www.hilti.group).

## 8 Abi tõrgete puhul

Kui peaks esinema tõrge, mida ei ole järgmises tabelis nimetatud või mida Te ei suuda ise kõrvaldada, pöörduge **Hilti** hooldekeskusesse.

### 8.1 Tõrgete tabel

Tõrge	Võimalik põhjus	Lahendus
Seade ei käivitu	Käigus on elektroonika initsialiseerimine (kuni umbes 4 sekundi jooksul pärast pistiku ühendamist pistikupesasse)	▶ Lülitage seade välja ja uuesti sisse.
	Vooluvarustus katkenud	▶ Ühendage vooluvõrku mõni teine elektriline seade, kontrollige, kas see töötab.
	Toitejuhe või pistik defektsed	▶ Laske kontrollida ja vajadusel vahetada elektriala asjatundjal.
	Generaator on ooterežiimis	▶ Kasutage generaatorit mõne teise tarvitiga (nt ehitusplatsil kasutatav lamp). Seejärel lülitage seade sisse ja uuesti välja.
Puudub löögifunktsioon	Seade on liiga külm	▶ Laske seadmel soojeneda minimaalse töötemperatuurini.
	Seadme vigastused	▶ Laske seade <b>Hilti</b> hooldekeskuses parandada.
Seade ei käivitu või lülitub töötamise ajal välja ja näit vilgub punase tulega	Ajutine viga (nt ülekuumenemine või ülepinge)	▶ Lülitage seade välja, laske jahtuda või ühendage mõne teise toiteallikaga.
Seade töötab, kuid näit põleb punase tulega	Hoolduse eelteade	▶ Laske seadet hooldada või parandada <b>Hilti</b> hooldekeskuses.



Tõrge	Võimalik põhjus	Lahendus
Seade ei käivitu või lülitub töötamise ajal välja	Pikendusjuhe on liiga pikk või liiga väikese ristlõikega	► Kasutage ettenähtud pikkuse ja piisava ristlõikega pikendusjuhet.
	Pistikühendusega võrgujuhe ei ole korrektselt ühendatud.	► Ühendage pistikühendusega võrgujuhe elektrilise tööriista külge korrektselt.

## 9 Utiliseerimine

**Hilti** seadmed on suures osas valmistatud taaskasutatavatest materjalidest. Taaskasutuse eelduseks on materjalide korralik sorteerimine. Paljudes riikides kogub **Hilti** kasutusressursi ammendanud seadmed kokku. Lisateavet saate **Hilti** müügiesindusest.



- Ärge visake kasutusressursi ammendanud elektrilisi tööriistu, elektroonikaseadmeid ja akusid olmejäätmete hulka!

## 10 RoHS (direktiiv ohtlike ainete kasutamise piirangute kohta)

Järgmiselt lingilt leiate ohtlike ainete tabeli: [qr.hilti.com/r6025050](http://qr.hilti.com/r6025050).

RoHS-tabeli juurde viiva lingi leiate käesoleva dokumendi lõpust QR-koodina.

## 11 Tootja garantii

- Garantiitingimusi puudutavates küsimustes pöörduge oma kohaliku **Hilti** partneri poole.

# Originālā lietošanas instrukcija

## 1 Informācija par lietošanas instrukciju

### 1.1 Par šo lietošanas instrukciju

- **Brīdinājums!** Pirms sākt izstrādājuma lietošanu, pārliecinieties, ka ir izlasīta un saprasta izstrādājumam pievienotā lietošanas instrukcija, ieskaitot pamācības, drošības norādījumus un brīdinājumus, attēlus un specifikācijas. Īpaši rūpīgi iepazīstieties ar pamācībām, drošības norādījumiem un brīdinājumiem, attēliem un specifikācijām, kā arī sastāvdaļām un funkcijām. Neievērošanas gadījumā pastāv elektriskās strāvas trieciena, aizdegšanās un/vai smagu traumu risks. Rūpīgi uzglabājiet lietošanas instrukciju, ieskaitot visas pamācības, drošības norādījumus un brīdinājumus, turpmākai izmantošanai.
- **HILTI** izstrādājumi ir paredzēti profesionāliem lietotājiem, un to darbināšanu, apkopi un tehniskā stāvokļa uzturēšanu drīkst veikt tikai kvalificēts, atbilstīgi apmācīts personāls. Personālam ir jābūt labi informētam par iespējamajiem riskiem, kas var rasties darba laikā. Izstrādājums un tā papildaprīkojums var radīt bīstamas situācijas, ja to uztic neprofesionālam personālam vai nelieto atbilstīgi nosacījumiem.
- Pievienotā lietošanas instrukcija atbilst aktuālajam tehnikas attīstības līmenim tās sagatavošanas brīdī.. Aktuālā versija vienmēr ir pieejama tiešsaistē, Hilti izstrādājumu lapā. Lai tai piekļūtu izmantojiet šajā lietošanas instrukcijā iekļauto saiti vai kvadrāt kodu, kas apzīmēts ar simbolu
- Vienmēr pievienojiet lietošanas instrukciju izstrādājumam, ja tas tiek nodots citai personai.

### 1.2 Apzīmējumu skaidrojums

#### 1.2.1 Brīdinājumi

Brīdinājumi pievērš uzmanību bīstamībai, kas pastāv, strādājot ar izstrādājumu. Tiek lietoti šādi signālvārdi:

**BĪSTAMI!**

**BĪSTAMI! !**

- Pievērš uzmanību draudošām briesmām, kas var izraisīt smagus miesas bojājumus vai nāvi.



**⚠ BRĪDINĀJUMS!**

**BRĪDINĀJUMS! !**

▶ Pievērs uzmanību iespējamam apdraudējumam, kas var izraisīt smagas traumas vai pat nāvi.

**⚠ IEVĒROT PIESARDZĪBU!**

**UZMANĪBU! !**

▶ Norāda uz iespējami bīstamām situācijām, kas var izraisīt traumas vai materiālos zaudējumus.

**1.2.2 Simboli lietošanas instrukcijā**

Šajā lietošanas instrukcijā tiek izmantoti šādi simboli:

	Ievērojiet lietošanas instrukciju
	Norādījumi par lietošanu un cita noderīga informācija
	Rīcība ar atbilstošajiem materiāliem
	Neizmetiet elektroiekārtas un akumulatorus sadzīves atkritumos.

**1.2.3 Attēlos lietotie simboli**

Attēlos tiek lietoti šādi simboli:

	Šie skaitļi norāda uz attiecīgajiem attēliem, kas atrodami šīs lietošanas instrukcijas sākumā.
	Numerācija attēlos norāda uz svarīgām darbībām vai detaļām, kas ir svarīgas noteiktām darbībām. Tekstā šīs darbības vai detaļas ir izceltas, apzīmējot ar atbilstošiem numuriem, piemēram, <b>(3)</b> .
	Pozīciju numuri tiek lietoti attēlā <b>Pārskats</b> un norāda uz leģendas numuriem sadaļā <b>Izstrādājuma pārskats</b> .
	Šī simbola uzdevums ir pievērst īpašu uzmanību izstrādājuma lietošanas laikā.

**1.3 Simboli atkarībā no izstrādājuma**

**1.3.1 Simboli uz izstrādājuma**

Tiek lietoti šādi simboli uz izstrādājuma:

	Aizsardzības klase II (divkārša izolācija)
	Servisa indikācija

**2 Drošība**

**2.1 Vispārīgi drošības norādījumi par darbu ar elektroiekārtām**

**⚠ BRĪDINĀJUMS!** Iepazīstieties ar visiem drošības norādījumiem, instrukcijām, attēliem un tehniskajiem parametriem, kas attiecas uz šo elektroiekārtu. Turpmāk izklāstīto instrukciju neievērošana var izraisīt elektrošoku, ugunsgrēku un/vai nopietnas traumas.

**Saglabājiet visus drošības norādījumus un instrukcijas turpmākai lietošanai.**

Drošības norādījumos lietotais apzīmējums "elektroiekārta" attiecas uz iekārtām ar tīkla barošanu (ar barošanas kabeli) vai iekārtām ar barošanu no akumulatora (bez kabeļa).

**Drošība darba vietā**

- ▶ **Uzturiet darba vietā tīrību un kārtību un nodrošiniet labu apgaismojumu.** Nekārtīgā darba vietā vai sliktā apgaismojumā var viegli notikt nelaimes gadījums.
- ▶ **Nestrādājiet ar elektroiekārtu sprādzienbīstamā vidē, kur atrodas uzliesmojoši šķidrumi, gāzes vai putekļi.** Darbības laikā elektroiekārtas mēdz dzirkstēt, un tas var izraisīt viegli uzliesmojošu putekļu vai tvaiku aizdegšanos.
- ▶ **Lietojot elektroiekārtu, neļaujiet nepiederošām personām un jo īpaši bērniem tuvoties darba vietai.** Citu personu klātbūtne var novērst uzmanību, un tā rezultātā jūs varat zaudēt kontroli pār iekārtu.



## Elektrodrošība

- ▶ **Elektroiekārtas kontaktdakšai jāatbilst elektrotīkla kontaktligzdai. Kontaktdakšas konstrukciju nedrīkst nekādā veidā mainīt. Kopā ar elektroiekārtām, kurām ir aizsargzēmējums, nedrīkst lietot adapteru spraudņus.** Neizmaiņātas konstrukcijas kontaktdakša, kas atbilst kontaktligzdai, ļauj samazināt elektrošoka risku.
- ▶ **Darba laikā nepieskarieties sazēmētiem priekšmetiem, piemēram, caurulēm, radiatoriem, plītnim vai ledusskapjiem.** Pieskaroties sazēmētām virsmām, pieaug risks saņemt elektrisko triecienu.
- ▶ **Nelietojiet elektroiekārtu lietus laikā, nēturiet to mitrumā.** Mitrumam iekļūstot elektroiekārtā, pieaug risks saņemt elektrisko triecienu.
- ▶ **Nenesiet un nepakariniet elektroiekārtu aiz barošanas kabeļa un neraujiet aiz kabeļa, ja vēlaties atvienot iekārtu no elektrotīkla kontaktligzdas. Sargājiet barošanas kabeli no karstuma, eļļas, asām šķautnēm vai kustīgām detaļām.** Bojāts vai sapīņķerējis barošanas kabelis var kļūt par cēloni elektrošokam.
- ▶ **Darbinot elektroiekārtu ārpus telpām, izmantojiet tās pievienošanai vienīgi tādus pagarinātājkabeļus, kas ir paredzēti lietošanai brīvā dabā.** Lietojot elektrokabeļus, kas ir piemērots darbam ārpus telpām, samazinās elektrošoka risks.
- ▶ **Ja elektroiekārtas izmantošana slapjā vidē ir obligāti nepieciešama, lietojiet bojājumstrāvas aizsargslēdzi.** Bojājumstrāvas aizsargslēdža lietošana samazina elektrošoka risku.

## Personiskā drošība

- ▶ **Strādājiet ar elektroiekārtu uzmanīgi, darba laikā saglabājiet paškontroli un rīkojieties saskaņā ar veselo saprātu. Ar elektroiekārtu nedrīkst strādāt personas, kas ir nogurušas vai atrodas narkotiku, alkohola vai medikamentu ietekmē.** Mirkļis neuzmanības, strādājot ar elektroiekārtu, var novest pie nopietnām traumām.
- ▶ **Izmantojiet individuālos aizsardzības līdzekļus un darba laikā vienmēr valkājiet aizsargbrilles.** Individuālo aizsardzības līdzekļu (putekļu aizsargmaskas, neslīdošu apavu un aizsargķiveres vai ausu aizsargu) lietošana atbilstoši elektroiekārtas tipam un veicamā darba raksturam ļauj izvairīties no savainojumiem.
- ▶ **Nepieļaujiet iekārtas nekontrolētas ieslēgšanās iespēju. Pirms pievienošanas elektrotīklam, akumulatora ievietošanas, elektroiekārtas satveršanas vai pārvietošanas pārliecinieties, ka tā ir izslēgta.** Ja iekārtas pārvietošanas laikā pirksts atrodas uz slēdža vai ja ieslēgta iekārta tiek pievienota elektrotīklam, var notikt nelaimes gadījums.
- ▶ **Pirms elektroiekārtas ieslēgšanas jānoņem visi regulēšanas piederumi un uzgriežņu atslēgas.** Regulēšanas piederumi vai uzgriežņu atslēga, kas iekārtas ieslēgšanas brīdī atrodas iekārtā, var radīt traumas.
- ▶ **Izvairieties no nedabiskām pozām. Darba laikā vienmēr saglabājiet līdzsvaru un nodrošinieties pret paslīdēšanu.** Tas atvieglos elektroiekārtas vadību neparedzētās situācijās.
- ▶ **Izvēlieties darbam piemērotu apģērbu. Darba laikā nenēsājiet brīvi plandošas drēbes un rotaslietas. Netuviniet matus, apģērbu un aizsargcimdus iekārtas kustīgajām daļām.** Vaļīgas drēbes, rotaslietas un gari mati var ieķerties iekārtas kustīgajās daļās.
- ▶ **Ja elektroiekārtas konstrukcija ļauj pievienot putekļu nosūkšanas vai savākšanas ierīci, sekojiet, lai tā būtu pievienota un tiktu darbināta pareizi.** Putekļu nosūcēja lietošana samazina putekļu kaitīgo ietekmi.
- ▶ **Nezaudējiet modrību un neatkāpieties no elektroiekārtu lietošanas drošības noteikumu ieviešanas arī tad, ja lietojat attiecīgo elektroiekārtu bieži un kārtīgi to pārzināt.** Neuzmanība vienā sekundes daļā var novest pie smagām traumām.

## Elektroiekārtas lietošana un apkope

- ▶ **Nepārslogojiet elektroiekārtu. Katram darbam izvēlieties piemērotu iekārtu.** Elektroiekārta darbosies labāk un drošāk pie nominālās slodzes.
- ▶ **Nelietojiet elektroiekārtu, ja ir bojāts tās slēdzis.** Elektroiekārta, ko nevar ieslēgt un izslēgt, ir bīstama un nekavējoties jānodod remontā.
- ▶ **Pirms iestatījumu veikšanas, aprīkojuma daļu nomaiņas vai iekārtas novietošanas uzglabāšanā atvienojiet kontaktdakšu no elektrotīkla un/vai noņemiet noņemamo akumulatoru.** Šādi jūs novērsīsiet elektroiekārtas nejaušas ieslēgšanās risku.
- ▶ **Elektroiekārtu, kas netiek darbināta, uzglabājiet piemērotā vietā. Neļaujiet lietot iekārtu personām, kas nav iepazīnušas ar tās funkcijām un izlasījušas šo lietošanas instrukciju.** Ja elektroiekārtu lieto nekompetentas personas, tas var apdraudēt cilvēku veselību.
- ▶ **Rūpīgi veiciet elektroiekārtu un to piederumu apkopi. Pārbaudiet, vai kustīgās daļas darbojas bez traucējumiem un neķeras un vai kāda no daļām nav salauzta vai bojāta un tādējādi netraucē elektroiekārtas nevainojamu darbību. Rauģieties, lai pirms iekārtas lietošanas tiktu nomainītas**



vai saremontētas bojātās daļas. Daudzi nelaimes gadījumi notiek tāpēc, ka elektroiekārtām nav nodrošināta pareiza apkope.

- ▶ **Griezējinstrumentiem vienmēr jābūt uzasinātiem un tīriem.** Rūpīgi kopti griezējinstrumenti ar asām šķautnēm retāk iestrēgst un ir vieglāk vadāmi.
- ▶ **Lietojiet elektroiekārtu, piederumus, maināmos instrumentus utt. saskaņā ar šiem norādījumiem. Jāņem vērā arī konkrētie darba apstākļi un veicamās operācijas īpatnības.** Elektroiekārtu lietošana citiem mērķiem, nekā to ir paredzējis ražotājs, ir bīstama un var izraisīt neparedzamas sekas.
- ▶ **Raugieties, lai rokturu un satveršanas virsmas būtu sausas, tīras, nenotraipītas ar eļļu un smērvielām.** Ja rokturu vai satveršanas virsmas ir slidenas, nav iespējama droša elektroiekārtas vadība un kontrole neparedzamās situācijās.

#### Service

- ▶ **Uzdodiet elektroiekārtas remontu veikt tikai kvalificētam personālam, kas izmanto vienīgi oriģinālās rezerves daļas.** Tikai tā ir iespējams saglabāt elektroiekārtas funkcionālo drošību.

## 2.2 Drošības noteikumi darbam ar perforatoriem

### Drošības norādījumi visiem darbiem

- ▶ **Lietojiet dzirdes aizsargaprīkojumu.** Trokšņa iedarbība var radīt dzirdes zudumu.
- ▶ **Lietojiet kopā ar iekārtu piegādātos papildu rokturus.** Kontroles zudums var kļūt par cēloni traumām.
- ▶ **Ja pastāv iespēja, ka instruments var skart aplēptus elektriskos vadus vai pašas iekārtas barošanas kabeli, iekārta vienmēr jātur aiz izolētajām rokturu virsmām.** Saskaņoties ar spriegumam pieslēgtiem vadiem, spriegums tiek novadīts uz iekārtas metāla daļām, radot elektrošoka risku.

## 2.3 Papildnorādījumi par atskaldāmā āmura drošību

### Personīgā drošība

- ▶ Lietojiet izstrādājumu un tā papildaprīkojumu tikai tad, ja tas ir nevainojamā stāvoklī.
- ▶ Nekādā gadījumā nemēģiniet ietekmēt izstrādājuma vai tā papildaprīkojuma funkcijas vai to pārveidot.
- ▶ Veicot kalšanu griestos, sienās un grīdās, ieņemiet drošu un stabilu pozu. Pēkšņa konstrukcijas caurkalšana var izraisīt līdzsvara zudumu!
- ▶ Pirms laušanas vai uršanas darbiem, kas šķērso būvkonstrukciju daļas, atbilstoši jānodrošina attiecīgās būvkonstrukcijas daļas pretējā puse. Atlūzušās materiāla daļas var izkrist caur atveri un/vai nokrist un savainot cilvēkus.
- ▶ Iekārtas lietotājam un tuvumā esošajām personām iekārtas lietošanas laikā jāvalkā piemērotas aizsargbrilles, aizsargķivere, dzirdes aizsarglīdzekļi, aizsargcimdi un viegls elpceļu aizsardzības aprīkojums.
- ▶ Instrumenta nomaiņas laikā valkājiet aizsargcimdus. Saskaņojiet ar maināmo instrumentu vai izraisīt grieztas traumas un apdegumus.
- ▶ Valkājiet aizsargbrilles vai masku. Materiāla šķembas var savainot ķermeni un acis.
- ▶ Putekļi, kas rodas slīpēšanas, griešanas un uršanas laikā, var saturēt bīstamas ķīmikālijas. Daži piemēri: svins vai krāsas uz svina bāzes; ķieģeļi, betons un citi mūra materiāli, dabīgais akmens un citi silikātus saturoši produkti; noteiktu veidu koksne, piemēram, skābardis, ozols un ķīmiska apstrādāta koksne; azbests vai azbestu saturoši materiāli. Nosakiet ekspozīcijas līmeni, kam pakļauts iekārtas lietotājs un tuvumā esošās personas, vadoties pēc apstrādājamo materiālu bīstamības kategorijas. Veiciet nepieciešamos pasākumus, lai ekspozīcija nesasniegtu kaitīgu līmeni, piemēram, lietojiet putekļu nosūkšanas sistēmu vai piemērotus elpceļu aizsardzības līdzekļus. Vispārīgie ekspozīcijas ierobežošanas pasākumi ir šādi:
  - ▶ darbs labi vēdināmās vietās,
  - ▶ izvairīšanās no ilgstošas saskares ar putekļiem,
  - ▶ putekļu novirzīšana projām no sejas un ķermeņa,
  - ▶ aizsargapgērba valkāšana un savārtītā apgērba mazgāšana ar ūdeni un ziepēm.
- ▶ Biežāk pārtrauciet darbu un izpildiet pirkstu vingrinājumus, kas uzlabo asinsriti. Ilgstoša darba gadījumā spēcīga vibrācija var radīt traucējumus pirkstu, roku vai plaukstu locītavu asinsvadu un nervu sistēmas funkcijās.

### Elektrodrošība

- ▶ Pirms darba sākšanas pārbaudiet, vai darba zonā neatrodas nesepti elektrības vadi, gāzes vai ūdensapgādes caurules. Iekārtas ārējās metāla daļas var izraisīt elektriskās strāvas triecienu vai izraisīt eksploziju, ja darba laikā tiek bojāti elektriskie vadi, gāzes vai ūdens caurules.

### Rūpīga elektroiekārtu lietošana un apkope

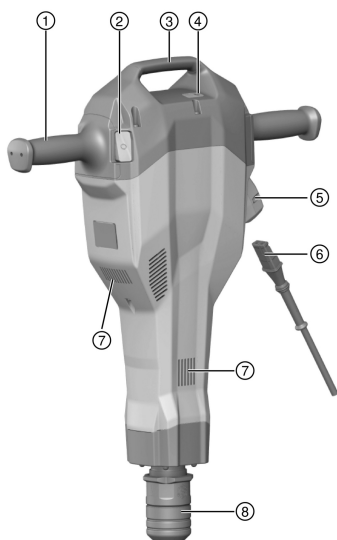
- ▶ Ieslēdziet izstrādājumu tikai tad, kad tas ir novietots darba pozīcijā.



► Pirms novietot izstrādājumu, nogaidiet, līdz pilnībā apstājas tā kustība.

### 3 Apraksts

#### 3.1 TE 2000-AVR pārskats 1



- ① Rokturis
- ② Ieslēgšanas un izslēgšanas slēdzis
- ③ Pārnēsāšanas rokturis
- ④ Servisa indikācija
- ⑤ Barošanas kabeļa spraudsavienojums
- ⑥ Barošanas kabelis ar spraudni
- ⑦ Ventilācijas atveres
- ⑧ Instrumenta patrona

#### 3.2 Transportēšanas ratiņu pārskats 2

- ① Rokturis
- ② Bloķēšanas stīpa
- ③ Patērējamā materiāla turētājs (kalts)
- ④ Riteņi
- ⑤ Riteņa fiksācija (paplāksne, šķelttapa)
- ⑥ Iekārtas nostiprināšanas rēdze

#### 3.3 Nosacījumiem atbilstīga lietošana

Aprakstītais izstrādājums ir manuāli vadāms atskaldāmais āmurs. Tas ir paredzēts kalšanas darbiem betonā, mūrī un asfalta. To var izmantot arī blietēšanas un rakšanas darbos.

Iekārtu drīkst darbināt tikai ar uz identifikācijas datu plāksnītes norādīto tīkla spriegumu un frekvenci.

#### 3.4 Varbūtējā nepareizā lietošana

- Iekārtu drīkst darbināt tikai sausā vidē.
- Neizmantojiet iekārtu vietās, kur pastāv ugunsgrēka un eksplozijas risks.
- Nedrīkst apstrādāt veselībai kaitīgus materiālus (piemēram, azbestu).

#### 3.5 Active Vibration Reduction

Izstrādājums ir aprīkots ar sistēmu Active Vibration Reduction (AVR), kas ievērojami samazina vibrāciju.

#### 3.6 Servisa indikācija

Atskaldāmajam āmuram ir servisa indikācija ar gaismas signālu.

Statuss	Nozīme
Servisa indikācija deg sarkanā krāsā.	Pienācis laiks servisa darbiem. Savlaicīgi nododiet izstrādājumu <b>Hilti</b> servisā, lai tas vienmēr būtu gatavs darbam. Iekārtas bojājums.



Stass	Nozīme
Servisa indikācija mirgo sarkanā krāsā.	Termiskā aizsardzība Elektroapgādē pārāk augsts spriegums.

### 3.7 Piegādes komplektācija

Atskaldāmais āmurs, barošanas kabelis ar spraudsavienojumu, lietošanas instrukcija, smēriela. Transportēšanas ratiņi tiek piedāvāti kā papildaprīkojums.

Citus šim izstrādājumam izmantojamus sistēmas produktus meklējiet **Hilti** servisa centrā vai tīmekļvietnē [www.hilti.group](http://www.hilti.group).

## 4 Tehniskie parametri

### 4.1 Atskaldāmais āmurs

Nominālā sprieguma, nominālās strāvas, frekvences un/vai nominālās ieejas jaudas parametri ir norādīti attiecīgajai valstij paredzētajā identifikācijas datu plāksnītē.

Ja šīs iekārtas darbināšanai izmanto ģeneratoru vai transformatoru, tā izejas jaudai jābūt vismaz divreiz lielākai par nominālo ieejas jaudu, kas norādīta uz iekārtas identifikācijas datu plāksnītes. Transformatora vai ģeneratora darba spriegumam vienmēr jābūt iekārtas nominālā sprieguma diapazonā ar pieļaidi +5 % vai -15 %.

	TE 2000-AVR
Izstrādājuma paudze	01
Svars saskaņā ar EPTA procedūru 01	14,5 kg
Triecienu skaits	30 Hz
Aizsardzības klase	II

### 4.2 Informācija par troksni un svārstībām

Šajās instrukcijās norādītie lielumi, kas raksturo skaņas spiedienu un vibrāciju, ir noteikti ar standartizētas mērījumu metodes palīdzību, un tos var izmantot elektroiekārtu savstarpējai salīdzināšanai. Tos var izmantot arī trokšņa un vibrācijas iedarbības pagaidu novērtējumam.

Norādītie parametri attiecas uz elektroiekārtas galvenajiem lietošanas veidiem. Taču, ja elektroiekārta tiek izmantota citos nolūkos, ar citiem maināmajiem instrumentiem vai netiek nodrošināta pietiekama tās apkope, parametri var atšķirties no norādītajiem. Tas var ievērojami palielināt trokšņa un vibrācijas iedarbību visā darba laikā.

Lai precīzi novērtētu iedarbību, jāņem vērā arī laiks, cik ilgi elektroiekārta ir izslēgta vai ir ieslēgta, taču faktiski netiek darbināta. Tas var būtiski samazināt iedarbību kopējā darba laikā.

Jāparedz papildu drošības pasākumi, lai aizsargātu iekārtas lietotāju pret trokšņa un/vai vibrācijas iedarbību, piemēram, elektroiekārtas apkope, roku turēšana siltumā, darba procesu organizācija.

Sīkāka informācija par šeit piemērotajām **EN 62841** standartu versijām var atrast Atbilstības deklarācijās attēlā 164.

### Skaņas emisijas rādītāji

Izmērītais skaņas jaudas līmenis ( $L_{WA}$ )	96 dB(A)
Skaņas jaudas līmeņa pīlaide ( $K_{WA}$ )	3 dB(A)
Skaņas spiediena līmenis ( $L_{pA}$ )	88 dB(A)
Skaņas spiediena līmeņa pīlaide ( $K_{pA}$ )	3 dB(A)

### Vibrācijas rādītāji

Kalšana ( $a_{h, Chreq}$ )	3,9 m/s <sup>2</sup>
Iespējamā kļūda (K)	1,5 m/s <sup>2</sup>





## 5 Lietošana

### 5.1 Sagatavošanās darbam

#### **IEVĒROT PIESARDZĪBU!**

**Traumu risks!** Izstrādājuma nekontrolēta iedarbošanās.

- ▶ Atvienojiet barošanas kabeli, pirms veikt iekārtas iestatīšanu vai aprikojuma maiņu.

Ievērojiet drošības norādījumus un brīdinājumus, kas atrodami šajā dokumentācijā un uz izstrādājuma.

#### 5.1.1 Barošanas kabeļa pievienošana pie iekārtas



Atvienojamo spraudsavienojumu drīkst savienot ar izstrādājumu tikai tad, ja tas ir tīrs, sauss un neatrodas zem sprieguma. Savienojums ir kodēts.

1. Izņemiet barošanas kabeli no transportēšanai paredzētā kartona iepakojuma.
2. Iebīdīiet spraudsavienojumu iekārtā, līdz tas dzirdami nofiksējas.
3. Ievietojiet kontaktdakšu kontaktligzdā.

#### 5.1.2 Maināmā instrumenta ievietošana

1. Atvienojiet iekārtu no elektrotīkla.
2. Viegli ieziediet maināma instrumenta galu ar smērvielu.
  - ▶ Lietojiet tikai oriģinālās **Hilti** smērvielas. Neatbilstīgas smērvielas var izraisīt iekārtas bojājumus.
3. Ievietojiet maināmo instrumentu instrumenta patronā un, viegli piespiežot, pagrieziet to, līdz tas dzirdami nofiksējas.
4. Pavelkot instrumentu, jāpārbauda, vai tas ir nofiksējies kārtīgi.

#### 5.1.3 Maināmā instrumenta izņemšana

#### **IEVĒROT PIESARDZĪBU!**

**Traumu risks!** Maināmais instruments var būt karsts un/vai ar asām malām.

- ▶ Darba instrumenta nomainīšanas laikā valkājiet aizsargcimdus.
- ▶ Nekādā gadījumā nenovietojiet karstu maināmo instrumentu uz degoša materiāla virsmas.

1. Atvienojiet iekārtu no elektrotīkla.
2. Līdz galam pavelciet atpakaļ instrumenta fiksācijas mehānismu.
3. Izņemiet maināmo instrumentu.

### 5.2 Darbs

#### **BRĪDINĀJUMS!**

**Elektrošoka risks!** Ja nav instalēts zemējuma vads vai bojājumstrāvas aizsargslēdzis, iespējamas smagas traumas un apdegumi.

- ▶ Vienmēr pārbaudiet, vai objekta elektroapgādē, kas tiek nodrošināta no elektrotīkla vai ģeneratora, ir instalēts un pievienots zemējuma vads un bojājumstrāvas aizsargslēdzis.
- ▶ Nesāciet nevienas iekārtas lietošanu, ja nav veikti šie drošības pasākumi.

#### **BRĪDINĀJUMS!**

**Bojāta kabeļa izraisīts apdraudējums!** Ja darba laikā tiek bojāts barošanas kabelis vai pagarinātājkabelis, neaiztieciot to. Nekavējoties atvienojiet kontaktdakšu no kontaktligzdas.

- ▶ Regulāri pārbaudiet iekārtas barošanas kabeli un nepieciešamības gadījumā nododiet to kompetentam speciālistam remonta vai nomainīšanas veikšanai.

Saņemiet visu darbu veikšanai apstiprinājumu no būvdarbu vadības!

#### 5.2.1 Kalšana

1. Ievietojiet kontaktdakšu kontaktligzdā.
2. Novietojiet kalnu tā, lai tas atrastos vēlamajā pozīcijā.



### 3. Nospiediet ieslēgšanas un izslēgšanas slēdzi.



Darbs zemā temperatūrā:

Lai triecienmehānisms sāktu darboties, iekārtai ir jāsasniedz minimālā darba temperatūra. Lai to nodrošinātu, uz neilgu brīdi novietojiet iekārtu uz virsmas un padarbiniet to tukšgaitā. Nepieciešamības gadījumā šo darbību atkārtojiet, līdz sāk darboties triecienmehānisms.

#### 5.2.2 Izslēgšana

1. Nospiediet ieslēgšanas un izslēgšanas slēdzi.
2. Atvienojiet iekārtu no elektrotīkla.

#### 5.2.3 Darba norādījumi



Kaltu iespējams novietot 6 dažādās pozīcijās (ar 60° soli). Pateicoties tam, ar plakano kaltu un profila kaltu vienmēr var strādāt optimālā darba pozīcijā.

- ▶ Novietojiet kaltu apmēram 80-100 mm (3 1/8"-4") attālumā no malas.
- ▶ Apstrādājot materiālus ar metāla armatūru, vienmēr virziet kaltu pret materiāla malu, nevis pret armatūru.
- ▶ Sāciet kaļšanu 70° līdz 80° leņķī pret betona virsmu un novietojiet kalta smaili tā, lai tā būtu pavērsta pret malu. Pēc tam mainiet leņķi 90° virzienā un izlauziet materiālu.
- ▶ Regulāri pagrieziet kaltu, jo vienmērīgs tā nolietojums veicina pašuzasināšanās procesu.
- ▶ Nepietiekama piespiešanas spēka gadījumā kalts lēkā. Pārāk liels piespiešanas spēks samazina kaļšanas efektivitāti.

## 6 Transportēšanas ratiņu opcija

### 6.1 Transportēšana

Transportēšanas ratiņi ir paredzēti atskaldāmā āmura drošai transportēšanai.

- Nodrošiniet, lai transportēšanas ratiņi būtu novietoti stabili.
- Novietojiet iekārtu uz šim nolūkam paredzētās iekārtas nostiprināšanas rēdzes un transportēšanas laikā vienmēr nodrošiniet to ar fiksācijas stīpu.
- Iespraudiet kaltu šim nolūkam paredzētajā turētājā, līdz tas nofiksējas.
- Izvēlieties drošus transportēšanas ceļus.
- Nenovietojiet ratiņus slīpumā.

## 7 Apkope un uzturēšana



### BRĪDINĀJUMS!

**Elektriskā trieciena risks!** Apkopes un remonta darbu veikšana, neatvienojot iekārtu no elektrotīkla, var izraisīt smagas traumas un apdegumus.

- ▶ Pirms jebkādiem apkopes un remonta darbiem vienmēr atvienojiet tīkla kontaktdakšu!

### Kopšana

- Uzmanīgi notīriet pielipušos netīrumus.
- Uzmanīgi iztīriet ventilācijas atveres ar sausu birstīti.
- Korpusa tīrīšanai lietojiet tikai nedaudz samitrinātu drāniņu. Nedrīkst lietot silikonu saturošus kopšanas līdzekļus, kas var sabojāt plastmasas daļas.

### Uzturēšana



### BRĪDINĀJUMS!

**Elektrošoka risks!** Neprofesionāli veikts elektrisko daļu remonts var kļūt par cēloni smagām traumām un apdegumiem.

- ▶ Elektrisko daļu labošanu var veikt tikai elektrības nozares speciālisti.
- Regulāri pārbaudiet visas redzamās daļas, lai pārliecinātos, ka tās nav bojātas un funkcionē nevainojami.
- Bojājumu un/vai funkciju traucējumu gadījumā izstrādājumu nedrīkst lietot. Tas nekavējoties jānodod **Hilti**, lai veiktu remontu.



- Pēc apkopes un remonta darbiem visas aizsargierīces jāpiemontē vietā un jāpārbauda, vai tās darbojas.



Lai iekārtas lietošana būtu droša, izmantojiet tikai oriģinālās rezerves daļas un patēriņa materiālus. Rezerves daļas un patēriņa materiālus, kuru lietošanu kopā ar šo iekārtu mēs akceptējam, var atrast **Hilti Store** vai tīmekļvietnē: [www.hilti.group](http://www.hilti.group).

## 8 Traucējumu novēršana

Ja iekārtas darbībā ir radušies traucējumi, kas nav uzskaitīti šajā tabulā vai ko jums neizdodas novērst saviem spēkiem, lūdzu, meklējiet palīdzību mūsu **Hilti** servisā.

### 8.1 Traucējumu diagnostikas tabula

Traucējums	Iespējamais iemesls	Risinājums
Iekārtu nevar iedarbināt.	Notiek elektronikas inicializācija (ne ilgāk kā 4 sekundes pēc spraudņa pievienošanas).	▶ Iekārta jāizslēdz un no jauna jāieslēdz.
	Pārtraukta elektrības padeve	▶ Pievienot citu elektroinstrumentu, pārbaudīt tā funkcionēšanu.
	Bojāts elektrības padeves vads vai kontaktdakša.	▶ Jāuzdod veikt pārbaudi un, ja nepieciešams, nomaļu elektrotehnikas speciālistam.
	Ģenerators darbojas miega režīmā.	▶ Radiet ģenerators noslodzi ar cita patērētāja (piemēram, būvniecības lampas) palīdzību. Pēc tam ieslēdziet un izslēdziet iekārtu vēlreiz.
Nav triecienu funkcijas	Iekārta ir pārāk auksta.	▶ Iekārta jāuzsilda līdz minimālajai darba temperatūrai.
	Iekārtas bojājums	▶ Nododiet iekārtu <b>Hilti</b> servisā remonta veikšanai.
Iekārta neiedarbojas vai darbības laikā izslēdzas, indikācija mirgo sarkanā krāsā.	Pārejoši traucējumi (piemēram, pārkaršana vai pārspriegums)	▶ Izslēdziet iekārtu un ļaujiet tai atdzist vai pievienojiet to citam sprieguma avotam.
Iekārta darbojas, taču indikācija konstanti deg sarkanā krāsā.	Servisa brīdinājums	▶ Uzdodiet <b>Hilti</b> servisa darbiniekiem veikt apkopes vai remonta darbus.
Iekārta neiedarbojas vai darbības laikā izslēdzas.	Pagarinātājkabelis ir pārāk garš vai ar pārāk mazu šķērsgriezumu.	▶ Lietojiet pagarinātājkabeli ar pieļaujamo garumu un pietiekami lielu šķērsgriezumu.
	Nav kārtīgi pievienots barošanas kabeļa spraudnis.	▶ Kārtīgi pievienojiet barošanas kabeli elektroiekārtai.

## 9 Nokalpojušo iekārtu utilizācija

**Hilti** iekārtu izgatavošanā tiek izmantoti galvenokārt otrreiz pārstrādājami materiāli. Priekšnosacījums otrreizējai pārstrādei ir atbilstoša materiālu šķirošana. Daudzās valstīs **Hilti** pieņem nolietotās iekārtas otrreizējai pārstrādei. Lai saņemtu vairāk informācijas, vērsieties **Hilti** servisā vai pie sava pārdošanas konsultanta.



- ▶ Neizmetiet elektroiekārtas, elektroniskas ierīces un akumulatorus sadzīves atkritumos!

## 10 RoHS (direktīva par bīstamo vielu izmantošanas ierobežošanu)

Lai apskatītu bīstamo vielu tabulu, izmantojiet šādu saiti: [qr.hilti.com/r6025050](http://qr.hilti.com/r6025050). Saiti uz RoHS tabulu jūs QR koda veidā atradīsiet šīs dokumentācijas beigās.




- Ar jautājumiem par garantijas nosacījumiem, lūdzu, vērsieties pie vietējā Hilti partnera.

## Originali naudojimo instrukcija

### 1 Informacija apie naudojimo instrukciją

#### 1.1 Apie šią naudojimo instrukciją

- **Išpėjimas!** Prieš pradėdami naudoti prietaisą įsitinkinkite, kad perskaitėte ir supratote prie prietaiso pridedamą naudojimo instrukciją, įskaitant instrukcijas, saugos ir išpėjamuosius nurodymus, paveikslėlius ir specifikacijas. Svarbiausia susipažinkite su visomis instrukcijomis, saugos ir išpėjamaisiais nurodymais, paveikslėliais, specifikacijomis be sudėtinėmis dalimis ir funkcijomis. Nesilaikant šio reikalavimo, kyla elektros smūgio, gaisro ir (arba) sunkių sužalojimų pavojus. Vėlesniam naudojimui išsaugokite naudojimo instrukciją, įskaitant visas instrukcijas, saugos ir išpėjamuosius nurodymus.
- **HILTI** prietaisai yra skirti profesionalams, todėl juos naudoti, atlikti jų techninės priežiūros ir remonto darbus leidžiama tik įgaliotam, instruktuojamam personalui. Šis personalas turi būti supažindintas su visais galimais pavojais. Neinstruktuojamam personalo netinkamai arba ne pagal paskirtį naudojamas prietaisas ir jo priedai gali kelti pavojų.
- Pridedama naudojimo instrukcija atitinka naujausią technikos lygį spausdinimo momentu. Naujausią versiją visada rasite internetu „Hilti“ prietaisų puslapyje. Sekite nuorodą arba QR kodą šioje naudojimo instrukcijoje, pažymėtą simboliu .
- Kitiems asmenims prietaisą perduokite tik kartu su šia naudojimo instrukcija.

#### 1.2 Ženklių paaiškinimas

##### 1.2.1 Išpėjantieji nurodymai

Išpėjantieji nurodymai išpėja apie pavojus, gresiančius eksploatuojant prietaisą. Naudojami šie signaliniai žodžiai:

##### **PAVOJUS**

###### **PAVOJUS!**

- Šis žodis vartojamas norint išpėti apie tiesiogiai gresiantį pavojų, kurio pasekmės yra sunkūs kūno sužalojimai arba žūtis.

##### **IŠPĖJIMAS**

###### **IŠPĖJIMAS!**

- Šis žodis vartojamas norint išpėti apie galimai gresiantį pavojų, kurio pasekmės gali būti sunkūs kūno sužalojimai arba žūtis.





##### **ATSARGIAI**

###### **ATSARGIAI!**

- Šis žodis vartojamas potencialiai pavojingai situacijai žymėti, kai yra kūno sužalojimo arba materialinių nuostolių grėsmė.

##### 1.2.2 Naudojimo instrukcijoje naudojami simboliai

Šioje naudojimo instrukcijoje naudojami tokie simboliai:

	Laikykitės naudojimo instrukcijos
	Naudojimo nurodymai ir kita naudinga informacija
	Rodo, kad juo paženklintą medžiagą galima perdirbti
	Elektrinių prietaisų ir akumuliatorių nemesti į buitines atliekas



### 1.2.3 Simboliai iliustracijose

Iliustracijose naudojami šie simboliai:

	Šie skaitmenys nurodo atitinkamą paveikslėlį šios naudojimo instrukcijos pradžioje.
3	Numeracija paveikslėliuose nurodo svarbius darbinius veiksmus arba darbiniams veiksams svarbias konstrukcines dalis. Tekste šie darbiniai veiksmai arba konstrukcinės dalys išskirtos atitinkamais numeriais, pvz., (3).
	Pozicijų numeriai naudojami paveikslėlyje <b>Apžvalga</b> – jie nurodo skyrelyje <b>Prietaiso vaizdas</b> esančių paaiškinimų numerius.
	Šiuo ženklu siekiama atkreipti ypatingą dėmesį į naudojimąsi šiuo prietaisu.

## 1.3 Specifiniai prietaiso simboliai

### 1.3.1 Simboliai ant prietaiso

Ant prietaiso naudojami tokie simboliai:

	II apsaugos klasė (su dviguba izoliacija)
	Techninės priežiūros indikatorius

## 2 Sauga

### 2.1 Bendrieji saugos nurodymai dirbantiems su elektriniais įrankiais

**⚠️ ĮSPĖJIMAS Perskaitykite visus ant šio elektrinio įrankio esančius saugos nurodymus, instrukcijas, paveikslėlius ir techninius duomenis.** Šių nurodymų nesilaikymas gali tapti elektros smūgio, gaisro ir / arba sunkių sužalojimų priežastimi.

**Išsaugokite visus saugos nurodymus ir instrukcijas, kad galėtumėte į juos pažvelgti ateityje.**

Saugos nurodymuose vartojama sąvoka „elektrinis įrankis“ apibrėžiami iš elektros tinklo maitinami elektriniai įrankiai (turintys maitinimo kabelį) ir iš akumulatoriaus maitinami elektriniai įrankiai (be maitinimo kabelio).

#### Sauga darbo vietoje

- ▶ **Pasirūpinkite, kad darbo vieta visada būtų švari ir gerai apšviesta.** Netvarkinga ar blogai apšviesta darbo vieta gali tapti nelaimingų atsitikimų priežastimi.
- ▶ **Nenaudokite elektrinio įrankio sprogioje aplinkoje, kurioje yra degių skysčių, dujų arba dulkių.** Veikiantys elektriniai įrankiai kibirkščiuoja, ir kibirkštys gali uždegti dulkes arba susikaupusius garus.
- ▶ **Dirbdami su elektriniu įrankiu, neleiskite darbo zonoje būti vaikams ir pašaliniais asmenims.** Atitraukę dėmesį nuo darbo, galite nebesuvaldyti prietaiso.

#### Apsauga nuo elektros

- ▶ **Prietaiso maitinimo kabelio kištukas turi atitikti elektros lizdo tipą.** Kištuko jokių būdu negalima keisti. Nenaudokite tarpinių kištukų kartu su elektriniais įrankiais, turinčiais apsauginį įžeminimą. Nepakeisti kištukai ir tinkami elektros lizdai mažina elektros smūgio riziką.
- ▶ **Venkite kūno kontakto su įžemintais paviršiais, pvz., vamzdžiais, šildytuvais, viryklėmis ir šaldytuvais.** Kai žmogaus kūnas yra įžemintas, padidėja elektros smūgio tikimybė.
- ▶ **Elektrinius įrankius saugokite nuo lietaus ir drėgmės.** Į elektrinį įrankį patekus vandens, padidėja elektros smūgio rizika.
- ▶ **Nenaudokite elektros maitinimo kabelio ne pagal paskirtį, t. y. neneškite elektrinio įrankio paėmę už kabelio, nekabinkite jo ant kabelio, netraukite už kabelio, norėdami ištraukti kištuką iš elektros lizdo.** Elektros maitinimo kabelį saugokite nuo karščio, alyvos, aštrių briaunų ar judančių dalių. Pažeisti arba susipynę elektros maitinimo kabeliai didina elektros smūgio riziką.
- ▶ **Jei su elektriniu įrankiu dirbate lauke, naudokite tik tokius ilginimo kabelius, kurie tinka ir lauko darbams.** Naudojant lauko darbams tinkančius ilginimo kabelius, mažėja elektros smūgio rizika.
- ▶ **Jeigu elektrinio įrankio naudojimo drėgnoje aplinkoje negalima išvengti, į elektros tinklą jįjunkite per apsauginę nuotėkio relę.** Apsauginė nuotėkio relė mažina elektros smūgio riziką.

#### Žmonių sauga

- ▶ **Dirbdami su elektriniu įrankiu, būkite atidūs, sutelkite dėmesį į darbą ir vadovaukitės sveiką nuovoka.** Elektrinio įrankio nenaudokite, jeigu esate pavargę arba apsaigę nuo narkotinių medžiagų, alkoholio ar vaistų. Neatidumo akimirka dirbant su elektriniu įrankiu gali tapti rimtų sužalojimų priežastimi.



- ▶ **Naudokite asmenines apsaugos priemones ir visuomet užsidėkite apsauginius akinius.** Naudojant asmenines apsaugos priemones, pvz., respiratorių, neslystančius apsauginius batus, apsauginį šalną, ausines ir kt., priklausomai nuo elektrinio įrankio tipo ir naudojimo, mažėja rizika susižaloti.
- ▶ **Saugokitės, kad neįjungtumėte prietaiso atsitiktinai. Prieš prijungdami prie elektros maitinimo tinklo, įdėdami akumuliatorių, imdami į rankas ar nešdami, įsitikinkite, kad elektrinis įrankis yra išjungtas.** Jeigu nešdami elektrinį įrankį pirštą laikysite ant jungiklio arba įrankį įjungsitė į elektros tinklą tuomet, kai jungiklis nėra išjungtas, gali įvykti nelaimingas atsitikimas.
- ▶ **Prieš įjungdami elektrinį įrankį, pašalinkite iš jo reguliavimo įrankius ar veržlinius raktus.** Besisukančioje prietaiso dalyje esantis įrankis ar paliktas raktas gali tapti sužalojimų priežastimi.
- ▶ **Venkite nepatogių kūno padėčių. Dirbdami stovėkite tvirtai ir visada išlaikykite kūno pusiausvyrą.** Taip galėsite geriau kontroliuoti elektrinį įrankį netikėtose situacijose.
- ▶ **Įtikėkite tinkamą aprangą. Nevilkėkite plačių drabužių, nesidėkite papuošalų. Saugokite plaukus, drabužius ir pirštines nuo besisukančių prietaiso dalių.** Laisvus drabužius, papuošalus ir ilgus plaukus gali įtraukti besisukančios prietaiso dalys.
- ▶ **Jei yra numatyta galimybė prijungti dulkių nusiurbimo ar surinkimo įrenginius, visada įsitikinkite, kad jie yra prijungti ir tinkamai naudojami.** Naudojant dulkių nusiurbimo įrenginį, gali sumažėti dulkių keliamo grėsmė.
- ▶ **Neturėkite iliuzijų, kad visada esate saugūs, ir, skaitydami naudojimo instrukcijas, nepraleiskite skyrelių apie saugų darbą su elektriniais įrankiais, net jeigu per ilgus naudojimo metus esate su savo elektriniu įrankiu susipažinę.** Neatsargus veiksmas per sekundės dalį gali tapti sunkių sužalojimų priežastimi.

#### **Elektrinio įrankio naudojimas ir elgesys su juo**

- ▶ **Prietaiso neperkraukite.** Naudokite Jūsų darbui tinkamą elektrinį įrankį. Su tinkamu elektriniu įrankiu dirbsite geriau ir saugiau, jei neviršysite nurodytos galios.
- ▶ **Nenaudokite elektrinio įrankio su sugedusiu jungikliu.** Elektrinis įrankis, kurio nebegalima įjungti ar išjungti, yra pavojingas ir jį reikia remontuoti.
- ▶ **Prieš prietaisą nustatydami, keisdami reikmenis ar tiesiog padėdami į šalį, visuomet ištraukite maitinimo kabelio kištuką iš elektros lizdo ir / arba iš prietaiso išimkite akumuliatorių.** Ši atsargumo priemonė leis išvengti netikėto elektrinio įrankio įsijungimo.
- ▶ **Nenaudojamus elektrinius įrankius saugokite vaikams nepasiekiamoje vietoje. Neleiskite prietaisu naudotis asmenims, kurie nėra su juo susipažinę arba nėra perskaitę šios instrukcijos.** Elektriniai įrankiai yra pavojingi, kai juos naudoja patirties neturintys asmenys.
- ▶ **Elektrinius įrankius ir reikmenis rūpestingai prižiūrėkite. Tikrinkite, ar judančios elektrinio įrankio dalys tinkamai funkcionuoja ir niekur neklūva, ar nėra sulūžusių ir pažeistų dalių, kurios blogintų įrankio veikimą. Prieš naudojimą pažeistos prietaiso dalys turi būti suremontuotos.** Blogai prižiūrimi elektriniai įrankiai yra daugelio nelaimingų atsitikimų priežastis.
- ▶ **Pjovimo įrankiai visuomet turi būti aštrūs ir švarūs.** Rūpestingai prižiūrėti pjovimo įrankiai su aštriomis pjovimo briaunomis mažiau stringa ir yra lengviau valdomi.
- ▶ **Elektrinį įrankį, reikmenis, keičiamuosius įrankius ir t. t. naudokite pagal šias instrukcijas. Taip pat atsižvelkite į darbo sąlygas ir atliekamo darbo pobūdį.** Elektrinius įrankius naudojant ne pagal paskirtį, gali kilti pavojingos situacijos.
- ▶ **Prižiūrėkite rankenas, kad jos ir jų laikymo paviršiai visada būtų sausi, švarūs ir neriebaluoti.** Slidžios rankenos ir jų laikymo paviršiai negali užtikrinti elektrinio įrankio saugaus naudojimo ir valdymo kontrolės nenumatytose situacijose.

#### **Techninė priežiūra**

- ▶ **Savo elektrinį įrankį patikėkite remontuoti tik kvalifikuotam specialistui, tam jis turi naudoti tik originalias atsargines dalis.** Taip galima užtikrinti, kad bus išlaikytas elektrinio įrankio naudojimo saugumas.

## **2.2 Saugos nurodymai smūginiams įrankiams**

### **Saugos nurodymai visiems darbams**

- ▶ **Dirbdami užsidėkite ausines.** Triukšmas gali pakenkti klausai.
- ▶ **Naudokite prietaiso komplekte esančias papildomas rankenas.** Prietaisui tapus nebevaldomam, galite susižaloti.
- ▶ **Vykdydami darbus, kurių metu keičiamasis įrankis gali liesti paslėptus elektros laidus ar nuosavą elektros maitinimo kabelį, prietaisą laikykite paėmę už izoliuotų rankenų paviršių.** Dėl kontakto su laidais, kuriais teka elektros srovė, metalinėse prietaiso dalyse taip pat gali atsirasti įtampa, todėl kyla elektros smūgio pavojus.



## 2.3 Papildomi saugos nurodymai dirbantiems su kirstuvu

### Žmonių sauga

- ▶ Prietaisą ir priedus naudokite tik tada, kai jie yra techniškai tvarkingi.
- ▶ Prietaisą ir priedus draudžiama keisti ar atlikti kitokius jų pakeitimus.
- ▶ Kirsdami kaltu lubas, sienas ir grindis visada tvirtai ir saugiai stovėkite. Netikėtai prakirtę galite prarasti pusiausvyrą!
- ▶ Vykdydami sienų ar grindų pragręžimo ar pramušimo kiauurai darbus, apsaugokite kitoje pusėje esančią zoną. Gręžimo kernai ar medžiagos nuolaužos gali iškristi arba nukristi ir sužaloti kitus žmones.
- ▶ Naudotojas ir netoliese esantys asmenys darbo su prietaisu metu turi užsidėti apsauginius akinius, apsauginį šalmą, ausines, mūvėti apsaugines pirštines ir užsidėti lengvą respiratorių.
- ▶ Keisdami įrankį, mūvėkite apsaugines pirštines. Liesdami keičiamąjį įrankį, galite susipjaustyti ir nusideginti rankas.
- ▶ Dirbdami užsidėkite akių apsaugos priemonę. Medžiagų nuolaužos gali sužaloti odą ir akis.
- ▶ Šlifuojant, pjaustant ir gręžiant kylančiose dulkėse gali būti pavojingų cheminių medžiagų. Štai keli pavyzdžiai: švinas ar dažai švino pagrindu, plytos, betonas ir kiti mūro statiniai, natūralus akmuo ir kiti gaminiai, kurių sudėtyje yra silikato, tam tikra mediena, ažuolas, bukas ir chemiškai apdorota mediena, asbestas arba medžiagos, kurių sudėtyje yra asbesto. Naudodamiesi medžiagų, su kuriomis dirbama, pavojingumo klase, nustatykite poveikį dirbančiajam ir aplink esantiems asmenims. Imkitės būtinų priemonių, užtikrinančių, kad poveikis liktų saugiame lygmenyje, pvz., naudokite dulkių surinkimo sistemą arba dėvėkite tinkamas kvėpavimo apsaugos priemones. Prie bendrųjų priemonių, skirtų poveikiui sumažinti, priskiriama:
  - ▶ darbas gerai vėdinamoje srityje,
  - ▶ ilgesnio kontakto su dulkėmis vengimas,
  - ▶ dulkių nuvedimas nuo veido ir kūno,
  - ▶ apsauginių drabužių dėvėjimas ir užterštų vietų nuplovimas vandeniu ir muilu.
- ▶ Dažnai darykite pertraukas ir pratimus, užtikrinančius geresnę Jūsų pirštų kraujotaką. Dirbant ilgesnį laiką, vibracijos gali sukelti pirštų, plaštakos ar riešo sąnario kraujagyslių ar nervų sistemos pažeidimus.

### Apsauga nuo elektros

- ▶ Prieš pradėdami dirbti patikrinkite, ar darbo zonoje nėra paslėptų elektros laidų, dujų ar vandentiekio vamzdžių. Netyčia pažeidus elektros kabelį, dujų ar vandens vamzdį, išorinėse metalinėse prietaiso dalyse taip pat gali atsirasti įtampa, kelianti elektros smūgio pavojų, arba gali iškilti sprogo pavojus.

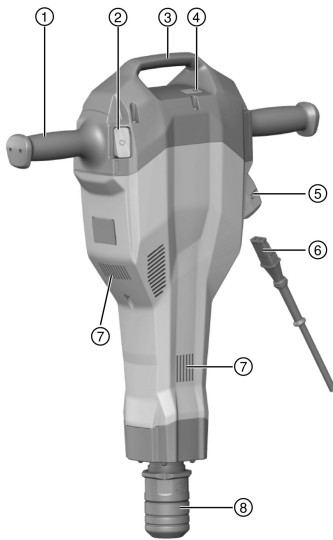
### Atsargus elektrinių įrankių naudojimas ir elgesys su jais

- ▶ Prietaisą įjunkite tik tada, kai jį nustatėte į darbinę padėtį.
- ▶ Prieš padėdami prietaisą palaukite, kol jis visiškai sustos.



### 3 Aprašymas

#### 3.1 TE 2000-AVR vaizdas 1



- ① Rankena
- ② Jungiklis
- ③ Nešimo rankena
- ④ Techninės priežiūros indikatorius
- ⑤ Maitinimo kabelio kištukas
- ⑥ Įkišamas elektros maitinimo kabelis
- ⑦ Vėdinimo plyšiai
- ⑧ Įrankio griebtuvas

#### 3.2 Transportinio vežimėlio vaizdas 2

- ① Rankena
- ② Fiksavimo apkaba
- ③ Laikiklis eksploatacinėms medžiagoms (kaltams)
- ④ Ratai
- ⑤ Rato tvirtinimas (poveržlė, vielokaištis)
- ⑥ Mašinos fiksuojimo strypas

#### 3.3 Naudojimas pagal paskirtį

Aprašytasis prietaisas yra rankinis kirstuvas. Jis yra skirtas betono, mūro ir asfalto kirtimo darbams. Jį galima naudoti ir plūkimui bei duobių kasimui.

Su prietaisu dirbkite tik įjungę jį į elektros tinklą, kurio įtampa ir dažnis atitinka reikšmes, nurodytas prietaiso firminėje duomenų lentelėje.

#### 3.4 Numatomas netinkamo naudojimo atvejis

- Prietaisą leidžiama naudoti tik sausoje aplinkoje.
- Nenaudokite prietaiso ten, kur yra gaisro ir sprogo pavojus.
- Draudžiama apdoroti sveikatai pavojingas medžiagas (pvz., asbestą).

#### 3.5 Active Vibration Reduction

Prietaise yra įrengta Active Vibration Reduction (AVR) sistema, kuri stipriai mažina vibraciją.

#### 3.6 Techninės priežiūros indikatorius

Kirstuve yra įrengtas techninės priežiūros indikatorius su šviesos signalu.

Būsena	Reikšmė
Techninės priežiūros indikatorius šviečia raudona spalva.	Laikas atlikti techninės priežiūros darbus. Kad prietaisas visada būtų parengtas naudoti, jį laiku pristatykite į <b>Hilti</b> techninės priežiūros centrą. Prietaisas sugedo.





<b>Būseną</b>	<b>Reikšmė</b>
Techninės priežiūros indikatorius mirksi raudona spalva.	Apsauga nuo perkaitimo Elektros tinkle yra per didelė įtampa.

### 3.7 Tiekiamas komplektas

Kirstuvais, įkišamas elektros maitinimo kabelis, naudojimo instrukcija, tirštasis tepalas. Transportinis vežimėlis yra siūlomas kaip reikmuo.

Daugiau Jūsų turimam prietaisui skirtų sisteminių reikmenų rasite vietiniame **Hilti** techninės priežiūros centre arba tinklalapyje [www.hilti.group](http://www.hilti.group)

## 4 Techniniai duomenys

### 4.1 Kirstuvais

Nominatioji maitinimo įtampa, nominalioji srovė, dažnis ir / arba nominali vartojamoji galia yra nurodyti Jūsų šaliai galiojančioje firminėje duomenų lentelėje.

Prietaisą maitinant iš generatoriaus arba transformatoriaus, šių įrenginių atiduodamoji galia turi būti bent dvigubai didesnė už prietaiso firminėje duomenų lentelėje nurodytą nominalią vartojamąją galią. Generatoriaus arba transformatoriaus darbinis įtampoms reikšmė bet kuriuo metu turi būti prietaiso nominalios maitinimo įtampoms +5 % ir -15 % ribose.

	<b>TE 2000-AVR</b>
<b>Prietaiso karta</b>	01
<b>Svoris pagal EPTA-Procedure 01</b>	14,5 kg
<b>Smūgių skaičius</b>	30 Hz
<b>Apsaugos klasė</b>	II

### 4.2 Informacija apie triukšmą ir vibracijos reikšmės

Šiuose nurodymuose pateiktos garso slėgio ir vibracijos reikšmės yra išmatuotos taikant standartizuotą matavimo metodą ir gali būti naudojamos elektriniams įrankiams palyginti tarpusavyje. Jos taip pat tinka šių veiksmų poveikiui iš anksto įvertinti.

Nurodytieji duomenys yra susieti su pagrindinėmis šio elektrinio įrankio naudojimo sritimis. Jeigu elektrinis įrankis bus naudojamas kitaip, su skirtingais keičiamaisiais įrankiais arba bus nepakankamai techniškai prižiūrimas, šie duomenys gali skirtis nuo nurodytųjų. Tai gali gerokai padidinti šių veiksmų poveikį per visą darbo laikotarpį.

Norint tiksliai įvertinti poveikį, reikėtų įvertinti ir laiką, kai elektrinis prietaisas yra išjungtas, arba, nors ir įjungtas, juo faktiškai nedirbama. Toks įvertinimas gali smarkiai sumažinti poveikio per visą darbo laikotarpį reikšmę.

Imkitės papildomų saugos priemonių, kad darbuotojas būtų apsaugotas nuo triukšmo ir / arba vibracijos poveikio, pavyzdžiui, reikalaukite tinkamos elektrinio įrankio ir keičiamųjų įrankių techninės priežiūros, pasirūpinkite, kad darbuotojų rankos visada būtų šiltos, užtikrinkite tinkamą darbo organizavimą.

Išsamios informacijos apie čia taikomų **EN 62841** standartų versijas rasite atitikties deklaracijos vaizde 164.

### Skleidžiamo triukšmo lygio reikšmės

<b>Išmatuotas garso stiprumo lygis (<math>L_{WA}</math>)</b>	96 dB(A)
<b>Garso stiprumo lygio paklaida (<math>K_{WA}</math>)</b>	3 dB(A)
<b>Skleidžiamo garso slėgio lygis (<math>L_{pA}</math>)</b>	88 dB(A)
<b>Garso slėgio lygio paklaida (<math>K_{pA}</math>)</b>	3 dB(A)

### Vibracijos reikšmės

<b>Kirtimas kalnu (<math>a_{h, Cheq}</math>)</b>	3,9 m/s <sup>2</sup>
<b>Paklaida (K)</b>	1,5 m/s <sup>2</sup>



## 5 Naudojimas

### 5.1 Pasiruošimas darbui

#### **ATSARGIAI**

**Sužalojimo pavojus!** Atsitiktinis prietaiso įjungimas.

► Prieš nustatydami prietaisą ar keisdami reikmenis, maitinimo kabelio kištuką ištraukite iš elektros lizdo.

Laikykites šioje instrukcijoje ir ant prietaiso pateiktų saugos nurodymų ir įspėjimų.

#### 5.1.1 Elektros maitinimo kabelio prijungimas prie prietaiso



Atskiriamą kištukinę jungtį kišti į prietaisą leidžiama tik tada, kai ji yra švari, sausa ir kai jos kontaktuose nėra įtampos. Jungtis yra koduota.

1. Elektros maitinimo kabelį išimkite iš transportinės pakuotės.
2. Kištukinę jungtį kiškite į prietaisą, kol fiksatorius girdimai užsifiksuos.
3. Maitinimo kabelio kištuką įstatykite į elektros lizdą.

#### 5.1.2 Keičiamojo įrankio įdėjimas

1. Maitinimo kabelio kištuką ištraukite iš elektros lizdo.
2. Keičiamojo įrankio kotą šiek tiek patepkite tirštuoju tepalu.
  - Naudokite tik originalų **Hilti** tirštąjį tepalą. Netinkamas tepalas gali prietaisą pažeisti.
3. Keičiamąjį įrankį įstatykite į įrankio griebtuvą ir, lengvai spausdami, sukite, kol girdimai užsifiksuos.
4. Patraukę įrankį patikrinkite, ar jis gerai užsifiksavo.

#### 5.1.3 Keičiamojo įrankio išėmimas

#### **ATSARGIAI**

**Sužalojimo pavojus!** Keičiamasis įrankis gali būti karštas ir / arba turėti aštrias briaunas.

- Keisdami keičiamąjį įrankį, mūvėkite apsaugines pirštines.
- Karšto keičiamojo įrankio niekada nedėkite ant degių paviršių.

1. Maitinimo kabelio kištuką ištraukite iš elektros lizdo.
2. Įrankio fiksatorių traukite atgal, kol atsirems.
3. Išimkite keičiamąjį įrankį.

### 5.2 Darbas

#### **ĮSPĖJIMAS**

**Pavojų kelia elektros smūgis!** Nesant žeminimo laido ir apsauginės nuotėkio relės, gresia sunkūs sužalojimai ir nudegimai.

- Kontroliuokite, kad statybvietės elektros prievade – tiek elektros tinklo, tiek ir generatoriaus – visada būtų žeminimo laidas ir apsauginė nuotėkio relė ir kad jie būtų prijungti.
- Nesant šių saugos priemonių, jokie prietaiso eksploatuoti nepradėkite.

#### **ĮSPĖJIMAS**

**Pavojų kelia pažeistas kabelis!** Nesilieskite prie maitinimo kabelio, jeigu darbo metu jis buvo apgadintas. aitinimo kabelio kištuką ištraukite iš elektros lizdo.

- Nuolat tikrinkite prietaiso maitinimo kabelį; pažeistą kabelį turėtų pakeisti kvalifikuotas specialistas.

Iš statybos vadovybės gaukite leidimą visiems darbams vykdyti!

#### 5.2.1 Kirtimas kaltu

1. Maitinimo kabelio kištuką įstatykite į elektros lizdą.
2. Kaltą pastatykite į norimą padėtį.



### 3. Spauskite jungiklį.



Darbas esant žemai temperatūrai:

Prieš įsijungiant smūginiam mechanizmui, prietaisas turi pasiekti minimalią darbinę temperatūrą. Kad ją pasiektumėte, padėkite prietaisą ant apdirbamojo paviršiaus ar grindų ir leiskite trumpai veikti tuščiaja eiga. Jei reikia, pakartokite šį procesą, kol smūginis mechanizmas pradės veikti.

#### 5.2.2 Išjungimas

1. Spauskite jungiklį.
2. Maitinimo kabelio kištuką ištraukite iš elektros lizdo.

#### 5.2.3 Darbiniai nurodymai



Kaltą galima fiksuoti 6-ose padėtyse (60° žingsniu). Todėl plokščiuoju ir profiliu kaltu visada galima dirbti pasirinkus atitinkamą optimalią darbinę padėtį.

- ▶ Kaltą pridėkite maždaug 80–100 mm (3¼ – 4") atstumu nuo briaunos.
- ▶ Apdorodami gelžbetonį, kaltą visada statykite prie medžiagos briaunos, o ne prie armatūrinio plieno.
- ▶ Kirtimo procesą pradėkite, kaltą laikydami 70°... 80° kampu į betoninį paviršių ir jo smaigalį nukreipę briaunos link. Tada kalto kampą didinkite 90° link ir taip atskelkite medžiagą.
- ▶ Kaltą reguliariai apsuokite, nes tolygus jo dėvėjimasis skatina savaiminį pasigalandimą.
- ▶ Kai spaudimo jėga per maža, kaltas šokinėja. Kai spaudimo jėga per didelė, mažėja kirtimo galia.

## 6 Papildomai užsakomas transportinis vežimėlis

### 6.1 Transportavimas

Transportinis vežimėlis užtikrina saugų kirstuvo transportavimą.

- Pasirūpinkite, kad transportinis vežimėlis stovėtų stabiliai.
- Prietaisą pastatykite ant tam skirto mašinos fiksavimo strypo ir transportuodami visada apsaugokite laikančiąją apkaba.
- Kaltus įstatykite į tam tikslui numatytą laikiklį, kol užsifiksuos.
- Transportavimui pasirinkite saugų kelią.
- Transportinio vežimėlio nestatykite ant nuožulnaus paviršiaus.

## 7 Priežiūra ir einamasis remontas



### ĮSPĖJIMAS

**Pavojų kelia elektros smūgis!** Priežiūra ir einamasis remontas, kai maitinimo kabelio kištukas įstatytas į elektros lizdą, gali tapti sunkių sužalojimų ir nudegimų priežastimi.

- ▶ Prieš pradėdant bet kokius priežiūros ir einamojo remonto darbus, maitinimo kabelio kištuką ištraukti iš elektros lizdo!

#### Priežiūra

- Atsargiai pašalinti prilipusius nešvarumus.
- Vėdinimo plyšius atsargiai valyti sausu šepetiu.
- Korpusą valyti tik šiek tiek sudrėkinta šluoste. Nenaudoti silikono turinčių priežiūros priemonių, nes jos gali pakenkti plastikinėms detalėms.

#### Einamasis remontas



### ĮSPĖJIMAS

**Pavojų kelia elektros smūgis!** Netinkamas elektrinių komponentų remontas gali tapti sunkių sužalojimų ir nudegimų priežastimi.

- ▶ Remontuoti elektrines įrenginio dalis leidžiama tik kvalifikuotiems elektrikams.
- Reguliariai tikrinti, ar matomos dalys nėra pažeistos ir ar valdymo elementai veikia nepriekaištingai.
- Pažeisto ir / arba turinčio veikimo sutrikimų prietaiso nenaudoti. Nedelsiant kreiptis į Hilti techninės priežiūros centrą dėl remonto.



- Baigus techninės priežiūros ir einamojo remonto darbus, sumontuoti visus apsauginius įtaisus ir patikrinti jų veikimą.



Kad eksploatacija būtų patikima, naudokite tik originalias atsargines dalis ir eksploatacines medžiagas. Mūsų aprobuotas atsargines dalis, eksploatacines medžiagas ir reikmenis savo prietaisui rasite vietinėje **Hilti Store** arba tinklalapyje [www.hilti.group](http://www.hilti.group).

## 8 Pagalba sutrikus veikimui

Pasitaikius sutrikimų, kurie nėra aprašyti šioje lentelėje arba kurių negalite pašalinti patys, kreipkitės į **Hilti** techninės priežiūros centrą.

### 8.1 Sutrikimų lentelė

Sutrikimas	Galima priežastis	Sprendimas
Prietaisas neįsijungia	Vyksta elektroninės sistemos iniciacija (įstačius kištuką, ji trunka maždaug 4 sekundes)	► Prietaisą išjungti ir vėl įjungti.
	Nutrūko elektros energijos tiekimas	► Įjunkite kitą elektrinį prietaisą, patikrinkite funkcijas.
	Tinklo laido ar kištuko gedimas	► Duokite elektrikui patikrinti ir, jeigu reikia, pakeisti.
	Generatorius veikia budėjimo režimu (Sleep Mode)	► Apkraukite generatorių antruoju energijos vartotoju (pvz., statybinio šviestuvu). Paskui prietaisą išjunkite ir vėl įjunkite.
Prietaisas nesmūgiuoja	Prietaisas per šaltas.	► Pašildykite prietaisą iki minimalios temperatūros.
	Prietaiso gedimai	► Prietaisą pristatykite remontuoti į <b>Hilti</b> techninės priežiūros centrą.
Prietaisas neįsijungia arba darbo metu išsijungia ir indikatorius mirksi raudona spalva	Laikinas sutrikimas (pvz., perkaitimas arba per didelė įtampa)	► Prietaisą išjungti, leisti atvėsti arba prijungti prie kito elektros maitinimo tinklo.
Prietaisas veikia, tačiau indikatorius nuolat šviečia raudona spalva	Įspėjimas apie techninės priežiūros būtinybę	► Techninės priežiūros arba remonto darbus patikėkite <b>Hilti</b> techninės priežiūros centrui.
	Per ilgas ilginimo kabelis arba per mažas jo laidų skerspjūvio plotas.	► Naudoti leistino ilgio ir pakankamo laidų skerspjūvio ploto ilginimo kabelį.
Prietaisas neįsijungia arba darbo metu išsijungia	Įkišamas elektros maitinimo kabelis netinkamai įstatytas į lizdą.	► Įkišamą elektros maitinimo kabelį tinkamai prijunkite prie elektrinio prietaiso.

## 9 Utilizavimas

**Hilti** prietaisai yra pagaminti iš medžiagų, kurias galima naudoti antrą kartą. Būtina antrinio perdirbimo sąlyga yra tinkamas medžiagų išrūšavimas. Daugelyje šalių **Hilti** priims Jūsų nebenaudojamą prietaisą perdirbti. Apie tai galite pasiteirauti artimiausiam **Hilti** techninės priežiūros centre arba savo prekybos konsultanto.



- Elektrinių įrankių, elektroninių prietaisų ir akumuliatorių neišmeskite į buitinius šiukšlynus!

## 10 RoHS (direktyva dėl pavojingų medžiagų naudojimo ribojimo)

Pavojingų medžiagų lentelę rasite spausdami šią nuorodą: [qr.hilti.com/r6025050](http://qr.hilti.com/r6025050).

Nuorodą į RoHS lentelę rasite kaip QR kodą šios instrukcijos gale.



## 11 Gamintojo teikiama garantija

- Kilus klausimų dėl garantijos sąlygų, kreipkitės į vietinį **Hilti** partnerį.

## Оригинальное руководство по эксплуатации

### 1 Данные руководства по эксплуатации

#### 1.1 К настоящему руководству по эксплуатации



#### Импортер и уполномоченная изготовителем организация

- (RU) Российская Федерация  
АО "Хилти Дистрибьюшн ЛТД", 141402, Московская область, г. Химки, ул. Ленинградская, стр. 25, комната 15.26
- (BY) Республика Беларусь  
ИООО "Хилти БиУай", 222750, Минская область, Дзержинский район, Р-1, 18-й км, 2 (около д. Слободка), помещение 1-34
- (KZ) Республика Казахстан  
ТОО "Хилти Казахстан", 050057, г. Алматы, Бостандыкский район, ул. Тимирязева, дом 42/15, литер 012 (корпус15)
- (AM) Республика Армения  
ООО "ЭЙЧ-КОН", 0070, г. Ереван, ул. Ерванд Кочара 19/28

Страна производства: см. маркировочную табличку на оборудовании.

Дата производства: см. маркировочную табличку на оборудовании.

Соответствующий сертификат можно найти по адресу: [www.hilti.ru](http://www.hilti.ru)

Специальных требований к условиям хранения, транспортировки и использования, кроме указанных в руководстве по эксплуатации, нет.

Срок службы изделия составляет 5 лет.

- Предупреждение! Перед использованием изделия убедитесь в том, что вы полностью изучили прилагаемое к нему руководство по эксплуатации, включая приводимые там инструкции, указания по технике безопасности и предупреждения, иллюстрации и технические характеристики. В частности, ознакомьтесь со всеми инструкциями, указаниями по технике безопасности и предупреждениями, иллюстрациями, техническими характеристиками, а также компонентами и функциями. Несоблюдение этих требований может привести к поражению электрическим током, возгоранию и/или серьезным травмам. Храните руководство по эксплуатации, включая все инструкции, указания по технике безопасности и предупреждения, для последующего использования.
- Изделия предназначены для профессионального использования, поэтому они должны обслуживаться и ремонтироваться только уполномоченным и обученным персоналом. Этот персонал должен пройти специальный инструктаж по технике безопасности. Использование изделия и его оснастки не по назначению или его эксплуатация необученным персоналом могут представлять опасность.
- Прилагаемое руководство по эксплуатации соответствует уровню технического прогресса на момент сдачи в печать. Актуальная версия всегда доступна в режиме онлайн на веб-сайте Hilti с описанием изделия. Для этого перейдите по ссылке или QR-коду, приводимым в настоящем руководстве по эксплуатации с обозначением символом .
- При смене владельца обязательно передавайте настоящее руководство по эксплуатации вместе с изделием.

#### 1.2 Пояснение к знакам

##### 1.2.1 Предупреждающие указания

Предупреждающие указания служат для предупреждения об опасностях при обращении с изделием. Используются следующие сигнальные слова:



**⚠ ОПАСНО**

**ОПАСНО !**

- ▶ Общее обозначение непосредственной опасной ситуации, которая влечет за собой тяжелые травмы или смертельный исход.

**⚠ ПРЕДУПРЕЖДЕНИЕ**

**ПРЕДУПРЕЖДЕНИЕ !**

- ▶ Общее обозначение потенциально опасной ситуации, которая может повлечь за собой тяжелые травмы или смертельный исход.

**⚠ ОСТОРОЖНО**

**ОСТОРОЖНО !**

- ▶ Общее обозначение потенциально опасной ситуации, которая может повлечь за собой травмы или повреждение оборудования (материальный ущерб).

**1.2.2 Символы, используемые в руководстве**

В этом руководстве используются следующие символы:

	Соблюдать руководство по эксплуатации
	Указания по эксплуатации и другая полезная информация
	Обращение с материалами, пригодными для вторичной переработки
	Не выбрасывайте электроинструменты и аккумуляторы вместе с бытовым мусором!

**1.2.3 Символы на изображениях**

На изображениях используются следующие символы:

	Эти цифры указывают на соответствующее изображение в начале данного руководства.
	Нумерация на иллюстрациях указывает на важные рабочие операции или на компоненты (детали), важные для рабочих операций. В тексте эти рабочие операции или компоненты выделены соответствующими номерами, например (3).
	Номера позиций используются в <b>обзорном</b> изображении. В <b>обзоре изделия</b> они указывают на номера в экспликации.
	Этот знак должен привлечь особое внимание пользователя при обращении с изделием.

**1.3 Символы в зависимости от изделия**

**1.3.1 Символы на изделии**

На изделии используются следующие символы:

	Класс защиты II (двойная изоляция)
	Сервисный индикатор

**2 Безопасность**

**2.1 Общие указания по технике безопасности для электроинструментов**

**⚠ ПРЕДУПРЕЖДЕНИЕ** Изучите все указания по технике безопасности, инструкции, иллюстрации и технические данные, которые прилагаются к данному электроинструменту. Несоблюдение приводимых ниже указаний может привести к поражению электрическим током, пожару и/или тяжелым травмам.

**Сохраните все указания по технике безопасности и инструкции для следующего пользователя.**



Используемый далее термин «электроинструмент» относится к электроинструменту, работающему от электрической сети (с кабелем электропитания) и от аккумулятора (без кабеля электропитания).

### Безопасность рабочего места

- ▶ **Следите за чистотой и хорошей освещенностью на рабочем месте.** Беспорядок на рабочем месте или плохое освещение могут привести к несчастным случаям.
- ▶ **Не используйте электроустройство/электроинструмент во взрывоопасной зоне, где имеются горючие жидкости, газы или пыль.** При работе электроустройство/электроинструмент искрит, и искры могут воспламенить пыль или пары/газы.
- ▶ **Не разрешайте детям и посторонним приближаться к работающему электроустройству/электроинструменту.** Отвлекаясь от работы, можно потерять контроль над электроустройством/электроинструментом.

### Электрическая безопасность

- ▶ **Соединительная вилка электроинструмента должна соответствовать розетке электросети. Не изменяйте конструкцию вилки! Не используйте переходные вилки с электроинструментами с защитным заземлением.** Использование оригинальных вилок и соответствующих им розеток снижает риск поражения электрическим током.
- ▶ **Избегайте непосредственного контакта с заземленными поверхностями, например с трубами, отопительными приборами, газо-/электропластинами и холодильниками.** При контакте с заземленными предметами возникает повышенный риск поражения электрическим током.
- ▶ **Предохраняйте электроинструменты от дождя или воздействия влаги.** В результате попадания воды в электроинструмент возрастает риск поражения электрическим током.
- ▶ **Не используйте кабель электропитания не по назначению, например для переноски электроинструмента, его подвешивания или для выдергивания вилки из розетки электросети. Защищайте кабель электропитания от воздействий высоких температур, масла, острых кромок или вращающихся деталей/узлов.** В результате повреждения или склеивания кабелей электропитания повышается риск поражения электрическим током.
- ▶ **Если работы с электроинструментом выполняются на открытом воздухе, применяйте только удлинительные кабели, которые разрешено использовать вне помещений.** Использование удлинительного кабеля, пригодного для использования вне помещений, снижает риск поражения электрическим током.
- ▶ **Если избежать работы с электроинструментом в условиях влажности не представляется возможным, используйте автомат защиты от тока утечки.** Использование автомата защиты от тока утечки снижает риск поражения электрическим током.

### Безопасность персонала

- ▶ **Будьте внимательны, следите за своими действиями и серьезно относитесь к работе с электроинструментом. Не пользуйтесь электроинструментом, если вы устали или находитесь под действием наркотиков, алкоголя или медикаментов.** Незначительная ошибка при невнимательной работе с электроинструментом может стать причиной серьезного травмирования.
- ▶ **Используйте средства индивидуальной защиты и всегда надевайте защитные очки.** Использование средств индивидуальной защиты, например респиратора, защитной обуви на нескользящей подошве, защитной каски или защитных наушников, в зависимости от вида и условий эксплуатации электроинструмента, снижает риск травмирования.
- ▶ **Избегайте непреднамеренного включения электроинструмента. Убедитесь в том, что электроинструмент выключен, прежде чем подключить его к электропитанию и/или вставить аккумулятор, поднимать или переносить электроинструмент.** Ситуации, когда при переноске электроинструмента палец находится на выключателе или когда выключенный электроинструмент подключается к электросети, могут привести к несчастным случаям.
- ▶ **Перед включением электроинструмента удалите регулировочные приспособления или гаечные ключи.** Рабочий инструмент или гаечный ключ, находящийся во вращающейся части электроинструмента, может стать причиной получения травм.
- ▶ **Старайтесь избегать неестественных поз при работе. Постоянно сохраняйте устойчивое положение и равновесие.** Это позволит лучше контролировать электроинструмент в непредвиденных ситуациях.
- ▶ **Носите спецодежду. Не надевайте очень свободную одежду или украшения. Оберегайте волосы, одежду и защитные перчатки от вращающихся узлов электроинструмента.** Свободная одежда, украшения и длинные волосы могут быть захвачены ими.
- ▶ **Если предусмотрено подсоединение устройств для удаления и сбора пыли, убедитесь в том, что они подсоединены и используются по назначению.** Использование пылеудаляющего аппарата снижает вредное воздействие пыли.



- ▶ **Не пребывайте в ложной уверенности в собственной безопасности и не пренебрегайте правилами техники безопасности для электроинструментов, даже если вы являетесь опытным пользователем электроинструмента.** Неосторожное обращение может в течение долей секунды стать причиной получения тяжелых травм.

#### **Использование и обслуживание электроинструмента**

- ▶ **Не допускайте перегрузки электроинструмента. Используйте электроинструмент, предназначенный именно для данной работы.** Соблюдение этого правила обеспечит более высокое качество и безопасность работы в указанном диапазоне мощности.
- ▶ **Не используйте электроинструмент с неисправным выключателем.** Электроинструмент, включение или выключение которого затруднено, представляет опасность и должен быть отремонтирован.
- ▶ **Прежде чем приступить к регулировке электроинструмента, замене принадлежностей или перед перерывом в работе выньте вилку из розетки и/или аккумулятор из электроинструмента.** Данная мера предосторожности позволит предотвратить непреднамеренное включение электроинструмента.
- ▶ **Храните неиспользуемые электроинструменты в местах, недоступных для детей. Не позволяйте использовать электроинструмент лицам, которые не ознакомлены с ним или не читали эти инструкции.** Электроинструменты представляют собой опасность в руках неопытных пользователей.
- ▶ **Бережно обращайтесь с электроинструментами и принадлежностями. Проверяйте безупречное функционирование подвижных частей, легкость их хода, целостность и отсутствие повреждений, которые могли бы отрицательно повлиять на работу электроинструмента. Сдавайте поврежденные части электроинструмента в ремонт до его использования.** Причиной многих несчастных случаев является несоблюдение правил технического обслуживания электроинструментов.
- ▶ **Необходимо следить за тем, чтобы режущие инструменты были острыми и чистыми.** Заклинивание содержащихся в надлежащем состоянии режущих инструментов происходит реже, ими легче управлять.
- ▶ **Применяйте электроинструмент, принадлежности (оснастку), рабочие инструменты и т. д. согласно данным указаниям. Учитывайте при этом рабочие условия и характер выполняемой работы.** Использование электроинструментов не по назначению может привести к опасным ситуациям.
- ▶ **Замасленные рукоятки и поверхности для хвата немедленно очищайте — они должны быть сухими и чистыми.** Скользкие рукоятки и поверхности для хвата не обеспечивают безопасное управление и контроль электроинструмента в непредвиденных ситуациях.

#### **Сервис**

- ▶ **Доверяйте ремонт своего электроинструмента только квалифицированному персоналу, использующему только оригинальные запчасти.** Этим обеспечивается поддержание электроинструмента в безопасном и исправном состоянии.

## **2.2 Указания по технике безопасности при работе с перфораторами**

### **Указания по технике безопасности при выполнении любых работ**

- ▶ **Надевайте защитные наушники.** В результате воздействия шума возможна потеря слуха.
- ▶ **Используйте дополнительные рукоятки, которые входят в комплект инструмента.** Потеря контроля над инструментом может привести к травмам.
- ▶ **При опасности повреждения рабочим инструментом скрытой электропроводки или сетевого кабеля держите электроинструмент за изолированные поверхности.** При контакте с токопроводящими предметами незащищенные металлические части электроинструмента находятся под напряжением, что может привести к поражению электрическим током.

## **2.3 Дополнительные указания по технике безопасности при работе с отбойным молотком**

### **Безопасность персонала**

- ▶ **Используйте электроинструмент и его принадлежности только в технически исправном состоянии.**
- ▶ **Внесение изменений в конструкцию электроинструмента/принадлежностей или его/их модификация категорически запрещаются.**
- ▶ **При долблении потолочных перекрытий, стенок и полов будьте осторожны и следите за устойчивостью своей рабочей позы.** Внезапный проход рабочего инструмента насквозь может вывести вас из равновесия!





- ▶ При изготовлении сквозных проемов ограждайте опасную зону с противоположной стороны стены. Вылетающие наружу и/или падающие вниз осколки могут травмировать других людей.
- ▶ Во время работы с инструментом пользователь и находящиеся в непосредственной близости лица должны использовать защитные очки, защитную каску, защитные наушники, защитные перчатки и легкий респиратор.
- ▶ При замене рабочего инструмента надевайте защитные перчатки. Соблюдайте осторожность при замене рабочего инструмента — контакт с ним может привести к порезам и ожогам.
- ▶ Пользуйтесь защитными очками. Осколки материала могут травмировать тело и глаза.
- ▶ Пыль, возникающая при шлифовании, абразивной обработке, резке и сверлении, может содержать опасные химические вещества. Несколько примеров материалов, содержащих опасные вещества: свинец или краски на свинцовой основе; кирпич, бетон и другие материалы для кладки, природный камень и другие силикатсодержащие изделия; определенные виды древесины, такие как дуб, бук и химически обработанная древесина; асбест или материалы, содержащие асбест. Определите степень воздействия на оператора и окружающих лиц по классу опасности обрабатываемых материалов. Примите необходимые меры для обеспечения безопасного уровня воздействия, например, путем использования подходящих систем пылеудаления или ношения подходящих средств защиты органов дыхания. Общие меры по снижению опасного воздействия:
  - ▶ Работайте в хорошо проветриваемом помещении.
  - ▶ Избегайте длительного контакта с пылью.
  - ▶ Удаляйте пыль с лица и тела.
  - ▶ Носите защитную одежду и промывайте открытые участки, подверженные воздействию, водой с мылом.
- ▶ Чтобы во время работы руки не затекали, время от времени делайте перерывы и упражнения для расслабления и разминки пальцев. Возникающие при длительной работе вибрации могут привести к нарушениям кровоснабжения сосудов или в нервных окончаниях пальцев/кистей рук или в запястьях.

#### **Электрическая безопасность**

- ▶ Перед началом работы проверяйте рабочую зону на наличие скрытой электропроводки, газо- и водопроводных труб. Открытые металлические части электроинструмента могут стать проводниками электрического тока или привести к взрыву, если случайно задеть (повредить) электропроводку, газо- или водопровод.

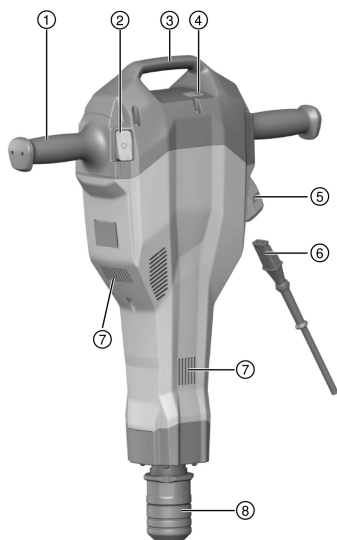
#### **Бережное обращение с электроинструментами и их правильная эксплуатация**

- ▶ Включайте изделие только после того, как вы приведете его в рабочее положение.
- ▶ Дождитесь полной остановки электроинструмента, прежде чем убирать его в сторону.



### 3 Назначение

#### 3.1 Обзор TE 2000-AVR 1



- ① Рукоятка
- ② Выключатель
- ③ Ручка для переноски
- ④ Сервисный индикатор
- ⑤ Разъем для подключения кабеля электропитания
- ⑥ Съемный кабель электропитания
- ⑦ Вентиляционные прорези
- ⑧ Зажимной патрон

#### 3.2 Обзор транспортировочной тележки 2

- ① Рукоятка
- ② Стопорная скоба
- ③ Держатель для расходного материала (зубил)
- ④ Колеса
- ⑤ Крепление колеса (шайба, шплинт)
- ⑥ Зажимная оправка (для фиксации электроинструмента)

#### 3.3 Использование по назначению

Данный инструмент представляет собой ручной отбойный молоток. Он предназначен для долбления бетона, кирпичной кладки и асфальта. Кроме того, его можно использовать для трамбования и выемки грунта.

Его эксплуатация возможна только при напряжении и частоте электросети, соответствующих указанным на заводской табличке.

#### 3.4 Варианты использования не по назначению

- Электроинструмент может использоваться только в сухих местах.
- Не используйте его там, где существует опасность пожара и взрыва.
- Сбор опасных для здоровья материалов (например, асбеста) запрещается.

#### 3.5 Active Vibration Reduction

Электроинструмент оснащен системой Active Vibration Reduction (AVR), которая обеспечивает заметное снижение вибраций.

#### 3.6 Сервисный индикатор

Отбойный молоток оснащен сервисным индикатором со световым сигналом.



Состояние	Значение
Сервисный индикатор горит красным.	Срок службы электроинструмента достиг предела, при котором требуется сервисное обслуживание. Своевременно доставляйте электроинструмент в сервисный центр <b>Hilti</b> , чтобы обеспечить его постоянную готовность к работе. Неисправности в электроинструменте
Сервисный индикатор мигает красным.	Сработала защита от перегрева. Слишком высокое напряжение электропитания.

### 3.7 Комплект поставки

Отбойный молоток, съемный кабель электропитания, руководство по эксплуатации, пластичная смазка. Транспортировочная тележка предлагается как принадлежность.

Другие, допущенные для использования с вашим изделием, системные принадлежности вы найдете в ближайшем сервисном центре **Hilti** или на сайте [www.hilti.group](http://www.hilti.group)

## 4 Технические данные

### 4.1 Отбойный молоток

Номинальное напряжение, номинальный ток, частота и/или номинальная потребляемая мощность указаны на заводской табличке (данные могут варьироваться в зависимости от экспортного исполнения).

При запитывании от генератора/трансформатора его выходная мощность должна быть как минимум вдвое выше номинальной потребляемой мощности, которая указана на заводской табличке электроинструмента. Рабочее напряжение трансформатора или генератора должно всегда находиться в диапазоне между +5 % и -15 % номинального напряжения электроинструмента.

	TE 2000-AVR
Поколение изделия	01
Масса согласно методу EPTA 01	14,5 кг
Частота ударов	30 Гц
Класс защиты	II

### 4.2 Данные о шуме и вибрации

Приводимые здесь значения уровня звукового давления и вибрации были измерены согласно стандартизированной процедуре измерения и могут использоваться для сравнения электроинструментов между собой. Они также подходят для предварительной оценки вредных воздействий.

Указанные данные применимы к основным областям применения электроинструмента. Однако, если электроинструмент используется для других целей, с другими рабочими (сменными) инструментами или в случае его неудовлетворительного технического обслуживания, данные могут быть иными. Вследствие этого в течение всего периода работы электроинструмента возможно значительное увеличение вредных воздействий.

Для точного определения вредных воздействий следует также учитывать промежутки времени, в течение которых электроинструмент находится в выключенном состоянии или работает вхолостую. Вследствие этого в течение всего периода работы электроинструмента возможно заметное уменьшение вредных воздействий.

Примите дополнительные меры безопасности для защиты пользователя от воздействия возникающего шума и/или вибраций, например: техническое обслуживание электроинструмента и рабочих (сменных) инструментов, сохранение тепла рук, правильная организация рабочих процессов.

Подробную информацию о версиях примененных здесь стандартов **EN 62841** см. в копии декларации соответствия нормам 165.



**Значения уровня шума**

Измеренный уровень звуковой мощности ( $L_{WA}$ )	96 дБ(А)
Погрешность уровня звуковой мощности ( $K_{WA}$ )	3 дБ(А)
Уровень звукового давления ( $L_{pA}$ )	88 дБ(А)
Погрешность уровня звукового давления ( $K_{pA}$ )	3 дБ(А)

**Данные по вибрации**

Долбление ( $a_{h, Choc}$ )	3,9 м/с <sup>2</sup>
Коэффициент погрешности (К)	1,5 м/с <sup>2</sup>

**5 Эксплуатация****5.1 Подготовка к работе****⚠ ОСТОРОЖНО**

**Опасность травмирования!** Непреднамеренное включение электроинструмента

- ▶ Перед регулировкой электроинструмента или заменой принадлежностей вынимайте вилку из розетки электросети.

Соблюдайте указания по технике безопасности и предупреждающие указания, приводимые в данном документе и на изделии.

**5.1.1 Подключение кабеля электропитания к электроинструменту **

Разъемное штекерное соединение следует подключать к электроинструменту только в чистом, сухом и обесточенном состоянии. Соединение имеет кодировку.

1. Достаньте кабель электропитания из картонной коробки.
2. Вставьте штекерное соединение в электроинструмент до щелчка.
3. Вставьте вилку кабеля электропитания в сетевую розетку.

**5.1.2 Установка рабочего инструмента **

1. Выньте вилку кабеля электропитания из сетевой розетки.
2. Слегка смажьте хвостовик рабочего инструмента.
  - ▶ Используйте только оригинальную пластичную смазку **Hilti**. Использование неподходящей пластичной смазки может стать причиной повреждений электроинструмента.
3. Вставьте рабочий инструмент в зажимной патрон и проверните его с небольшим усилием, пока рабочий инструмент не зафиксируется со щелчком.
4. Потяните рабочий инструмент на себя, чтобы удостовериться, что он надежно закреплен в фиксаторе (зажимном патроне).

**5.1.3 Извлечение рабочего инструмента ****⚠ ОСТОРОЖНО**

**Опасность травмирования!** Рабочий инструмент может нагреваться и/или иметь острые кромки.

- ▶ При смене рабочего инструмента пользуйтесь защитными перчатками.
- ▶ Категорически запрещается укладывать нагретый рабочий инструмент на воспламеняющиеся основания.

1. Выньте вилку кабеля электропитания из сетевой розетки.
2. Оттяните зажимной патрон до упора назад.
3. Извлеките рабочий инструмент.



## 5.2 Выполнение работ

### ПРЕДУПРЕЖДЕНИЕ

**Опасность вследствие удара электрического тока!** Отсутствие заземляющего провода и автомата защиты от тока утечки может привести к тяжелым травмам и ожогам.

- ▶ Убедитесь в том, что в проложенном кабеле питания, проходящем от электросети или генератора, всегда имеются подключенные заземляющий провод и автомат защиты от тока утечки.
- ▶ Если эти меры предосторожности не приняты, не эксплуатируйте изделие.

### ПРЕДУПРЕЖДЕНИЕ

**Опасность вследствие поврежденных кабелей!** При повреждении кабеля электропитания или удлинительного кабеля во время работы ни в коем случае не прикасайтесь к ним. Выньте вилку кабеля электропитания из розетки.

- ▶ Регулярно проверяйте кабель электропитания электроинструмента. Замена поврежденного кабеля должна осуществляться специалистом-электриком.

Перед началом работ согласуйте их в полном объеме с начальником строительного участка (прорабом).

### 5.2.1 Долбление

1. Вставьте вилку кабеля электропитания в сетевую розетку.
2. Переведите зубило в нужное положение.
3. Нажмите выключатель.



Работа при низких температурах:

Минимальной рабочей температурой является температура, достаточная для запуска ударного механизма электроинструмента. Для ее достижения установите электроинструмент на базовый материал и дайте ему поработать на холостом ходу. При необходимости повторите операцию, пока не запустится ударный механизм.

### 5.2.2 Выключение

1. Нажмите выключатель.
2. Выньте вилку кабеля электропитания из сетевой розетки.

### 5.2.3 Указания по работе



Зубило можно установить в шести разных положениях (с шагом 60°). Благодаря этому плоские и фасонные зубила всегда можно установить в оптимально подходящее для работы положение.

- ▶ Установите зубило на расстоянии прим. 80–100 мм (3 1/8"–4") от кромки.
- ▶ При долблении материала с арматурными стержнями всегда ведите зубило по кромке материала, а не по арматуре.
- ▶ Начиная долбление под углом от 70° до 80° к поверхности бетона и направляйте острие к кромке. Затем направляйте зубило под углом 90° и удаляйте материал.
- ▶ Периодически поворачивайте зубило, так как равномерный износ способствует самозаточке инструмента.
- ▶ Слишком слабый нажим приводит к тому, что зубило отскакивает от базового материала. Слишком сильный нажим обуславливает снижение мощности долбления.

## 6 Опция 'Транспортировочная тележка'

### 6.1 Транспортировка

Транспортировочная тележка служит для безопасной транспортировки отбойного молотка.

- Следите за устойчивым положением тележки.
- Установите инструмент на предусмотренный для него опорный стержень и при транспортировке всегда фиксируйте инструмент с помощью скобы-упора.
- Вставьте зубило в соответствующий держатель до щелчка.
- Убедитесь в отсутствии препятствий на пути транспортировки.



- Не оставляйте тележку на площадках с наклоном.

## 7 Уход и техническое обслуживание

### ПРЕДУПРЕЖДЕНИЕ

**Опасность травмирования вследствие удара электрическим током!** Выполнение работ по уходу и обслуживанию с подключенной вилкой кабеля электропитания может привести к тяжелым травмам и ожогам.

- ▶ Перед проведением любых работ по уходу и обслуживанию всегда вынимайте из розетки вилку кабеля электропитания!

### Уход

- Осторожно удаляйте налипшую грязь.
- Осторожно очищайте вентиляционные прорезы сухой щеткой.
- Очищайте корпус только с использованием слегка увлажненной ткани. Не используйте средства по уходу с содержанием силикона, поскольку они могут повредить пластиковые детали.

### Техническое обслуживание

### ПРЕДУПРЕЖДЕНИЕ

**Опасность вследствие удара электрического тока!** Неквалифицированный ремонт компонентов электрической части может привести к получению серьезных травм и ожогам.

- ▶ Ремонт электрической части перфоратора поручайте только специалисту-электрику.
- Регулярно проверяйте все видимые части электроинструмента на отсутствие повреждений, а элементы управления — на исправное функционирование.
- При повреждениях и/или функциональных сбоях не используйте электроинструмент. Сразу сдавайте его в сервисный центр **Hilti** для ремонта.
- После ухода за электроинструментом и его технического обслуживания установите все защитные приспособления на место и проверьте их исправное функционирование.



Для обеспечения безопасной эксплуатации используйте только оригинальные запасные части и расходные материалы. Допущенные нами запасные части, расходные материалы и принадлежности для данного изделия вы можете найти в **Hilti Store** или смотрите на [www.hilti.group](http://www.hilti.group).

## 8 Помощь при неисправностях

В случае неисправностей, которые не указаны в этой таблице или которые вы не можете устранить самостоятельно, обращайтесь в ближайший сервисный центр **Hilti**.

### 8.1 Таблица неисправностей

Неисправность	Возможная причина	Решение
Электроинструмент не включается	Выполняется инициализация электроники (до 4 с с момента подключения вилки кабеля).	▶ Выключите электроинструмент и снова включите его.
	Отсутствует электропитание	▶ Подключите другой электроинструмент и проверьте, работает ли он.
	Неисправен кабель электропитания или вилка	▶ Вызовите для проверки специалиста-электрика, при необходимости замените.
	Генератор в режиме ожидания	▶ Подключите к генератору второй потребитель (например, прожектор для стройплощадок). Включите и снова выключите электроинструмент.



Неисправность	Возможная причина	Решение
Отсутствует удар	Электроинструмент слишком холодный	▶ Дайте электроинструменту прогреться до минимальной рабочей температуры.
	Неисправность в электроинструменте	▶ Сдайте электроинструмент для ремонта в сервисный центр <b>Hilti</b> .
Электроинструмент не работает или выключается во время работы, индикатор мигает красным.	Временная неисправность (например, перегрев или перенапряжение).	▶ Отожмите выключатель, дайте электроинструменту охладиться или подключите его к другому источнику электропитания.
Электроинструмент работает, но индикатор непрерывно горит красным цветом	Предупреждение о необходимости сервисного обслуживания	▶ Сдайте электроинструмент для сервисного обслуживания или ремонта в сервисный центр <b>Hilti</b> .
Электроинструмент не работает или выключается во время работы.	Удлинительный кабель слишком длинный или недостаточного сечения	▶ Используйте удлинительный кабель допустимой длины и с достаточным сечением.
	Неправильно подключен съемный кабель электропитания.	▶ Правильно подсоедините съемный кабель электропитания к электроинструменту.

## 9 Утилизация

Большинство материалов, из которых изготовлены электроинструменты **Hilti**, подлежат вторичной переработке. Перед утилизацией следует тщательно рассортировать материалы (для удобства их последующей переработки). Во многих странах фирма **Hilti** уже организовала прием старых (электро)инструментов (изделий) для утилизации. Дополнительную информацию по этому вопросу можно получить в отделе по обслуживанию клиентов или у консультантов по продажам фирмы **Hilti**.



- ▶ Не выбрасывайте электрические инструменты, электронные устройства/приборы и аккумуляторы вместе с обычным мусором!

## 10 RoHS (Директива об ограничении применения опасных веществ)

По этой ссылке доступна таблица опасных веществ: [qr.hilti.com/r6025050](http://qr.hilti.com/r6025050).

Ссылку в виде QR-кода на таблицу опасных веществ согласно директиве RoHS см. в конце этого документа.

## 11 Гарантия производителя

- ▶ С вопросами по поводу гарантийных условий обращайтесь в ближайшее представительство **Hilti**.

# Оригінальна інструкція з експлуатації

## 1 Інформація щодо інструкції з експлуатації

### 1.1 Про цю інструкцію з експлуатації

- **Попередження!** Перед використанням продукту слід обов'язково прочитати та зрозуміти інструкцію з експлуатації, що додається, у тому числі інструкції, вказівки з техніки безпеки, попереджувальні вказівки, ілюстрації та технічні характеристики. Зокрема, ознайомтеся з усіма інструкціями, вказівками з техніки безпеки, попереджувальними вказівками, ілюстраціями, технічними характеристиками, а також інформацією щодо компонентів та функцій. Недотримання цієї вимоги може призвести до ризику ураження електричним струмом, виникнення пожежі та/або тяжких травм.



Зберігайте інструкцію з експлуатації, зокрема всі інструкції, вказівки з техніки безпеки та попереджувальні вказівки, щоб можна було звернутися до них у майбутньому.

- Інструменти призначені для професійного використання, а тому їхню експлуатацію, технічне обслуговування та ремонт слід доручати лише авторизованому персоналу зі спеціальною підготовкою. Цей персонал повинен бути спеціально проінструктований про можливі ризики. Інструмент та допоміжне приладдя можуть стати джерелом небезпеки у разі їхнього неправильного застосування некваліфікованим персоналом або у разі використання не за призначенням.
- Інструкція з експлуатації, що додається до продукту, відповідає стану науки і техніки, актуальному на момент її друку. Більш актуальну версію інструкції з експлуатації можна знайти в інтернеті на сторінці з інформацією про продукти Hilti. Для цього перейдіть за посиланням або QR-кодом у цій інструкції з експлуатації, що позначені символом
- У разі зміни власника передавайте продукт лише разом із цією інструкцією з експлуатації.

## 1.2 Пояснення символів

### 1.2.1 Попереджувальні вказівки

Попереджувальні вказівки інформують користувача про фактори небезпеки, пов'язані із застосуванням інструмента. Використовуються такі сигнальні слова:

#### НЕБЕЗПЕКА

##### НЕБЕЗПЕКА !

- Указує на безпосередню небезпеку, що може призвести до отримання тяжких тілесних ушкоджень або навіть до смерті.

#### ПОПЕРЕДЖЕННЯ

##### ПОПЕРЕДЖЕННЯ !

- Указує на потенційно небезпечну ситуацію, яка може призвести до отримання тяжких тілесних ушкоджень або навіть смерті.

#### ОБЕРЕЖНО

##### ОБЕРЕЖНО !

- Указує на потенційно небезпечну ситуацію, яка може призвести до отримання тілесних ушкоджень або до матеріальних збитків.

### 1.2.2 Символи в інструкції з експлуатації

У цій інструкції з експлуатації використовуються такі символи:

	Дотримуйтеся вказівок, наведених в інструкції з експлуатації
	Указівки щодо експлуатації та інша корисна інформація
	Поводження з матеріалами, придатними для вторинної переробки
	Не викидайте електроінструменти і акумуляторні батареї у баки для побутового сміття

### 1.2.3 Символи на ілюстраціях

На ілюстраціях використовуються такі символи:

	Цифрами позначаються відповідні ілюстрації, наведені на початку цієї інструкції з експлуатації.
	Наведена на рисунках нумерація позначає порядок виконання важливих робочих кроків або показує важливі деталі, необхідні для виконання цих робочих кроків. У тексті ці робочі кроки або деталі виділяються відповідними цифрами, наприклад (3).
	Номера позицій, наведені на <b>оглядовій ілюстрації</b> , відповідають номерам у легенді, що представлена у розділі «Огляд продукту».
	Цей символ позначає аспекти, на які слід звернути особливу увагу під час застосування інструмента.





### 1.3 Символи, що обумовлені типом інструмента

#### 1.3.1 Символи на інструменті

На інструменті наведені такі символи:

	Клас захисту II (подвійна ізоляція)
	Сервісний індикатор

## 2 Безпека

### 2.1 Загальні вказівки з техніки безпеки при роботі з електроінструментами

**⚠ ПОПЕРЕДЖЕННЯ!** Уважно прочитайте усі вказівки та інструкції з техніки безпеки, ознайомтеся з малюнками та технічними даними цього електроінструмента. Щонайменше недотримання наведених нижче вказівок може призвести до ураження електричним струмом, займання та/або отримання тяжких травм.

**Збережіть всі інструкції та вказівки з техніки безпеки – вони можуть знадобитися Вам у майбутньому.**

Термін «електроінструмент», який використовується у вказівках з техніки безпеки, позначає як електроінструменти, що працюють від електричної мережі (із кабелем живлення), так і електроінструменти, що працюють від акумуляторної батареї (без кабелю живлення).

#### Безпека на робочому місці

- ▶ **Дбайте про чистоту та достатнє освітлення робочого місця.** Безлад на робочому місці та недостатнє освітлення можуть стати причиною нещасних випадків.
- ▶ **Не працюйте з електроінструментом у вибухонебезпечному середовищі, що містить легкозаймисті рідини, газу або пил.** Під час роботи електроінструментів утворюються іскри, від яких можуть зайнятися легкозаймисті випари або пил.
- ▶ **Подбайте про те, щоб під час використання електроінструмента поблизу не було дітей та сторонніх осіб.** Щонайменше відволікання може призвести до втрати контролю над інструментом.

#### Електрична безпека

- ▶ **Штепсельна вилка електроінструмента повинна підходити до розетки живлення. Забороняється вносити зміни до конструкції штепсельної вилки. Не дозволяється застосовувати перехідні штепсельні вилки в електроінструментах із захисним заземленням.** У разі використання оригінальних штепсельних вилок і відповідних розеток знижується ризик ураження електричним струмом.
- ▶ **Під час роботи намагайтеся не торкатися заземлених поверхонь, наприклад труб, радіаторів опалення, печей та холодильників.** Якщо Ваше тіло перебуває в контакт з системою заземлення, існує підвищений ризик ураження електричним струмом.
- ▶ **Захищайте електроінструменти від дощу та вологи.** У разі проникнення води в електроінструмент підвищується ризик ураження електричним струмом.
- ▶ **Використовуйте з'єднувальний кабель тільки за призначенням, не переносьте за нього електроінструмент, не користуйтеся ним для підвішування інструмента та не тримайтеся за нього, дістаючи штепсельну вилку з розетки.** Оберегайте з'єднувальний кабель від впливу високих температур, від дії мастил та контакту з гострими кромками або рухомими частинами інструмента. Пошкоджені або заплутані з'єднувальні кабелі підвищують ризик ураження електричним струмом.
- ▶ **Працюючи з електроінструментом під відкритим небом, використовуйте лише подовжувальний кабель, придатний для зовнішнього застосування.** Використання подовжувального кабелю, призначеного для зовнішнього застосування, зменшує ризик ураження електричним струмом.
- ▶ **Якщо неможливо уникнути експлуатації електроінструмента за умов підвищеної вологості, використовуйте автомат захисту від струму витоку.** Використання автомата захисту від струму витоку зменшує ризик ураження електричним струмом.

#### Безпека персоналу

- ▶ **Будьте уважними, зосередьтеся на виконуваній операції, до роботи з електроінструментом ставтеся серйозно. Не користуйтеся електроінструментом, якщо Ви втомлені або перебуваєте під дією наркотичних речовин, алкоголю або лікарських засобів.** Під час роботи з електроінструментом не відволікайтеся ні на мить, оскільки це може призвести до отримання серйозних травм.



- ▶ **Використовуйте засоби індивідуального захисту і завжди надягайте захисні окуляри.** Використання засобів індивідуального захисту, наприклад респіратора, захисного взуття на нековзній підшві, захисного шолома або шумозахисних навушників – залежно від різновиду електроінструмента та особливостей його застосування – зменшує ризик травмування.
- ▶ **Уникайте випадкового вмикання електроінструмента. Переконайтеся в тому, що електроінструмент вимкнений, перш ніж вставляти штепсельну вилку в розетку живлення та/або приєднувати акумулятор, піднімати електроінструмент або переносити його.** Якщо під час перенесення електроінструмента тримати пальці на вимикачі або приєднувати інструмент до джерела живлення увімкненим, це може призвести до нещасного випадку.
- ▶ **Перш ніж вмикати електроінструмент, від'єднайте від нього все налагоджувальне приладдя або гайкові ключі.** Приладдя або ключ, що знаходяться в обертовому вузлі інструмента, можуть стати причиною отримання травм.
- ▶ **Уникайте виконання роботи в незручній позі. Під час виконання робіт ставайте в стійку позу і намагайтеся повсякчас утримувати рівновагу.** Це дозволить Вам більш упевнено контролювати електроінструмент у разі виникнення несподіваних обставин.
- ▶ **Надягайте відповідний робочий одяг. Не надягайте для роботи занадто просторий одяг та прикраси. Слідкуйте за тим, щоб волосся, одяг та робочі рукавиці знаходилися подальше від обертових частин інструмента.** Просторий одяг, прикраси або довге волосся можуть бути захоплені рухомими частинами інструмента.
- ▶ **Якщо передбачена можливість установа системи пиловидалення та пилосбірників, обов'язково переконайтеся в тому, що вони правильно приєднані й використовуються належним чином.** Застосування системи видалення пилу дозволяє зменшити негативний вплив пилу на персонал.
- ▶ **Не можна нехтувати правилами безпеки під час роботи з електроінструментами навіть у тому випадку, коди Ви добре знайомі з тим чи іншим електроінструментом.** Якщо користуватися інструментом необережно, лише малої частки секунди може бути достатньо для отримання тяжких травм.

#### **Використання електроінструмента та належний догляд за ним**

- ▶ **Не допускайте перенавантаження інструмента. Завжди використовуйте електроінструмент, призначений для виконання відповідної роботи.** При використанні належного електроінструмента забезпечуються більш висока якість та безпека виконання робіт у вказаному діапазоні продуктивності.
- ▶ **Не використовуйте електроінструмент із пошкодженням вимикачем.** Електроінструмент, який неможливо вмикати або вимикати, є небезпечним і підлягає ремонту.
- ▶ **Перш ніж розпочинати налаштування інструмента, виконувати заміну приладдя або робити перерву в роботі, не забудьте вийняти штепсельну вилку з розетки та/або вийняти з інструмента змінну акумуляторну батарею.** Такий запобіжний захід допоможе уникнути випадкового вмикання електроінструмента.
- ▶ **Електроінструменти, що не використовуються, зберігайте в недоступному для дітей місці. Не дозволяйте користуватися інструментом особам, які не ознайомлені з ним або не прочитали ці вказівки.** У руках недосвідчених людей електроінструменти являють собою серйозну небезпеку.
- ▶ **Електроінструменти та їх приладдя потребують дбайливого догляду. Ретельно перевіряйте, чи бездоганно працюють та чи не заклинюють рухомі частини, чи не зламалися або не зазнали інших пошкоджень деталі, від яких залежить справна робота електроінструмента. Перед початком роботи з інструментом пошкоджені деталі слід відремонтувати.** Багатьох нещасних випадків можна уникнути за умови належного технічного обслуговування електроінструментів.
- ▶ **Слідкуйте за тим, щоб ріжучі інструменти завжди залишалися чистими та належним чином заточеними.** Дбайливо доглянутий ріжучий інструмент із гострими різальними кромками не так часто заклинюється, і з ним легше працювати.
- ▶ **Під час експлуатації електроінструмента, приладдя до нього, робочих інструментів тощо дотримуйтеся наведених у цьому документі вказівок. При цьому завжди враховуйте умови в місці виконання робіт та дії, яких вимагає поставлене завдання.** Використання електроінструментів не за призначенням може призвести до виникнення небезпечних ситуацій.
- ▶ **Слідкуйте за тим, щоб поверхні рукояток були чистими та сухими, та не допускайте їхнього забруднення мастилом.** Якщо поверхні рукояток слизькі, це унеможливає впевнене контролювання електроінструмента у непередбачених ситуаціях.

#### **Сервісне обслуговування**

- ▶ **Доручайте ремонт електроінструмента лише кваліфікованому персоналу зі спеціальною підготовкою за умови використання тільки оригінальних запасних частин.** Це забезпечить функціональність електроінструмента.



## 2.2 Вказівки з техніки безпеки стосовно роботи з перфоратором

### Указівки з техніки безпеки для виконання усіх типів робіт

- ▶ **Використовуйте захисні навушники.** Тривалий вплив шуму може призвести до втрати слуху.
- ▶ **Використовуйте додаткові рукавички, що входять до комплекту постачання інструмента.** Адже втрата контролю над інструментом може стати причиною травмування.
- ▶ **Якщо під час виконання робіт змінний робочий інструмент може натрапити на приховану електропроводку або кабелі живлення, утримуйте інструмент за ізольовані поверхні рукояток.** У разі контакту з електричним дротом, який знаходиться під напругою, металеві деталі інструмента також потраплять під напругу, а це може призвести до ураження електричним струмом.

## 2.3 Додаткові вказівки з техніки безпеки під час роботи з відбійним молотком

### Безпека персоналу

- ▶ Користуйтеся лише повністю справним виробом та приладдям.
- ▶ Вносити будь-які зміни до конструкції виробу або приладдя заборонено.
- ▶ Перед добванням отворів у стелі, стінах і підлозі забезпечте собі надійну та міцну опору. Внаслідок раптового ривка інструмента Ви можете втратити рівновагу!
- ▶ Під час наскрізної обробки укріпіть відповідну ділянку поверхні з протилежного боку. Осколки можуть розлітатися у різні боки та/або вниз і травмувати інших людей.
- ▶ Оператор та інші особи, які знаходяться поблизу місця проведення робіт, повинні під час застосування інструмента використовувати відповідні захисні окуляри, захисний шолом, захисні навушники, захисні рукавиці та легкий респіратор.
- ▶ Під час заміни робочого інструмента користуйтеся захисними рукавицями. Контакт зі змінним робочим інструментом може призвести до отримання порізів або опіків.
- ▶ Використовуйте захисні окуляри. Уламки матеріалу можуть завдати поранень або пошкодити очі.
- ▶ Пил, який утворюється під час шліфування, обробки наждачним папером, різання та свердління певних матеріалів, може містити небезпечні хімічні речовини. Деякі приклади таких матеріалів: свинець або фарби на основі свинцю; цегла, бетон та інші матеріали, що використовуються для споруджування стін, зокрема природний камінь та інші речовини, які містять силікати; певні види деревини, зокрема дуб або бук, а також деревина, яка пройшла хімічну обробку; азбест або матеріали, що містять азбест. Визначайте рівень впливу пилу на оператора та осіб, які знаходяться поблизу, приймаючи до уваги клас небезпеки оброблюваних матеріалів. Вживайте потрібних заходів, щоб утримувати вплив пилу на мінімально можливому рівні, зокрема використовуйте систему видалення пилу або відповідний респіратор. До загальних заходів, спрямованих на зменшення впливу пилу, належать такі:
  - ▶ виконання робіт на добре провітряній ділянці;
  - ▶ уникнення тривалого контакту з пилом;
  - ▶ недопущення контакту пилу з обличчям та тілом;
  - ▶ використання захисного одягу, а також миття засмічених ділянок водою з милом.
- ▶ Часто робіть перерви у роботі та виконуйте вправи на розминання пальців, щоб покращити кровообіг у них. Під час довготривалих робіт високочастотна вібрація може пошкодити судини або нерви у пальцях, руках або зап'ясткових суглобах.

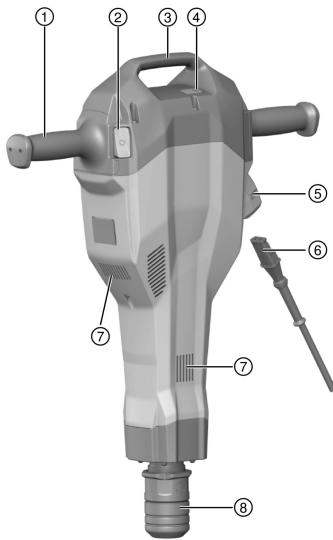
### Електрична безпека

- ▶ Перед початком роботи перевіряйте робоче місце на наявність прихованих електричних кабелів, газових та водопровідних труб. Якщо під час роботи будуть випадково пошкоджені електричні кабелі, газовий або водяний трубопровід, то їхній контакт із відкритими металевими деталями інструмента може спричинити ураження електричним струмом або вибух.

### Належне використання електроінструментів та дбайливий догляд за ними

- ▶ Вмикайте виріб лише після того, як Ви встановили його у робоче положення.
- ▶ Зачекайте, доки змінний робочий інструмент повністю зупиниться, перш ніж знімати його з оброблюваного об'єкта.



**3.1**    **Огляд ТЕ 2000-AVR 1**


- ①    Рукоятка
- ②    Вимикач
- ③    Рукоятка для перенесення
- ④    Сервісний індикатор
- ⑤    Штекер знімного кабелю живлення
- ⑥    Знімний кабель живлення
- ⑦    Вентиляційні прорізи
- ⑧    Затискний патрон

**3.2**    **Огляд транспортного візка 2**

- ①    Ручка
- ②    Скоба-фіксатор
- ③    Тримач для видаткового матеріалу (зубила)
- ④    Ходові коліщата
- ⑤    Стопор коліщата (шайба, шплінт)
- ⑥    Оправка для насаджування інструмента

**3.3**    **Використання за призначенням**

Описаний у цій інструкції інструмент являє собою ручний відбійний молоток. Він призначений для довбальних робіт на бетоні, цегляній кладці та асфальті. Інструмент також може використовуватися для трамбування та риття.

Експлуатація інструмента можлива лише за умови, що напруга і частота мережі живлення відповідають значенням, вказаним на заводській табличці.

**3.4**    **Можливе неналежне використання**

- Застосовувати пристрій дозволяється лише в сухих місцях.
- Не застосовуйте інструмент у пожежонебезпечних і вибухонебезпечних умовах.
- Забороняється застосовувати інструмент для обробки шкідливих для здоров'я речовин, наприклад азбесту.

**3.5**    **Active Vibration Reduction**

Інструмент оснащений системою Active Vibration Reduction (AVR), яка значно знижує рівень вібрації.

**3.6**    **Сервісний індикатор**

Відбійний молоток оснащений сервісним індикатором зі світловим сигналом.



Стан	Значення
Сервісний індикатор горить червоним.	Інструмент потребує планового технічного обслуговування. Щоб інструмент завжди був готовий до роботи, своєчасно передавайте його до сервісної служби компанії <b>Hilti</b> . Інструмент вийшов з ладу.
Сервісний індикатор мигає червоним.	Система захисту від перегрівання Занадто висока напруга джерела електроживлення.

### 3.7 Комплект постачання

Відбійний молоток, знімний кабель живлення, інструкція з експлуатації, мастило. Транспортний візок пропонується у якості приладдя.

З іншим приладдям, допущеним до експлуатації з Вашим інструментом, Ви можете ознайомитися у найближчому сервісному центрі **Hilti** або на веб-сайті **www.hilti.group**

## 4 Технічні дані

### 4.1 Відбійний молоток

Номінальна напруга, номінальний струм, частота та/або номінальна споживана потужність вказані на заводській табличці інструмента, передбаченій для Вашої країни.

Якщо живлення інструмента здійснюється від генератора або трансформатора, то його вихідна потужність має принаймні вдвічі перевищувати номінальну споживану потужність, вказану на заводській табличці інструмента. Робоча напруга трансформатора або генератора повинна постійно перебувати у межах від +5 % до -15 % від номінальної напруги інструмента.

	TE 2000-AVR
Покоління виробу	01
Маса згідно з процедурою EPTA 01	14,5 кг
Частота ударів	30 Гц
Клас захисту	II

### 4.2 Дані про шум та значення вібрації

Наведені у цих рекомендаціях значення звукового тиску та вібрації були виміряні згідно з установленою процедурою вимірювання та можуть використовуватися для порівняння електроінструментів. Вони також придатні для попереднього оцінювання шумового та вібраційного навантаження.

Наведені дані обумовлюють переважні сфери застосування електроінструмента. Однак якщо Ви використовуєте його не за призначенням, застосовуєте нестандартне приладдя або неналежним чином здійснюєте догляд за інструментом, ці дані можуть відрізнитися від вказаних значень. Це може призвести до помітного збільшення шумового та вібраційного навантаження протягом усього робочого часу.

Для більш точної оцінки шумового та вібраційного навантаження необхідно враховувати також проміжний час, протягом яких виріб залишається вимкненим або працює на холостому ході. Це може значно зменшити вібраційне та шумове навантаження протягом усього робочого часу.

Необхідно також живити додаткових заходів безпеки з метою захисту працівників від дії шуму та/або вібрації, зокрема: проводити своєчасне технічне обслуговування електроінструмента та змінних робочих інструментів до нього, утримувати руки у теплі, належним чином організувати робочий процес.

Більш детальна інформація щодо версії стандарту **EN 62841**, які використовуються тут, наведена в копії сертифіката відповідності 165.

### Рівень шуму

Вимірний рівень шумової потужності ( $L_{WA}$ )	96 дБ(А)
Похибка для рівня шумової потужності ( $K_{WA}$ )	3 дБ(А)



Рівень звукового тиску ( $L_{pA}$ )	88 дБ(А)
Похибка для рівня звукового тиску ( $K_{pA}$ )	3 дБ(А)

**Значення вібрації**

Довбання отворів ( $a_{h, CREQ}$ )	3,9 м/с <sup>2</sup>
Похибка (К)	1,5 м/с <sup>2</sup>

## 5 Експлуатація

### 5.1 Підготовка до роботи

**⚠ ОБЕРЕЖНО**

**Ризик отримання травми!** Випадкове увімкнення інструмента.

- ▶ Виймайте штепсельну вилку кабелю живлення з розетки, перш ніж задавати налаштування інструмента або замінювати приладдя.

Дотримуйтеся попереджувальних вказівок та вказівок з техніки безпеки, наведених у цьому документі та на корпусі інструмента.

#### 5.1.1 Приєднання кабелю живлення до інструмента 3

**i** Уставляйте штекер змінного кабелю живлення в гніздо інструмента тільки в тому випадку, якщо кабель від'єднаний від мережі живлення та знаходиться у чистому сухому стані. Штекер кабелю має спеціальну форму.

1. Вийміть кабель живлення з пакувальної картонної коробки.
2. Уставте штекер змінного кабелю живлення у відповідне гніздо інструмента до упору, доки він не зафіксується із чітким характерним звуком.
3. Уставте штепсельну вилку кабелю живлення в розетку.

#### 5.1.2 Установлення змінного робочого інструмента 4

1. Вийміть штепсельну вилку кабелю живлення з розетки.
2. Нанесіть мастило тонким шаром на хвостовик змінного робочого інструмента.
  - ▶ Використовуйте лише оригінальне мастило виробництва компанії **Hilti**. Використання неналежного мастила може спричинити несправність інструмента.
3. Уставте змінний робочий інструмент у затискний патрон та, злегка натиснувши на нього, прокрутіть його, щоб він зафіксувався із чітким характерним звуком.
4. Потягніть змінний робочий інструмент до себе, щоб упевнитися в тому, що він надійно зафіксований у патроні.

#### 5.1.3 Виймання змінного робочого інструмента 5

**⚠ ОБЕРЕЖНО**

**Ризик отримання травм!** Змінний робочий інструмент може бути гарячим та/або його кромки – гостримі.

- ▶ Під час заміни робочого інструмента використовуйте захисні рукавиці.
- ▶ Ніколи не кладіть гарячий змінний робочий інструмент на легкозаймисті матеріали.

1. Вийміть штепсельну вилку кабелю живлення з розетки.
2. Відведіть фіксатор змінного робочого інструмента назад до упору.
3. Вийміть змінний робочий інструмент.



## 5.2 Під час роботи

### ПОПЕРЕДЖЕННЯ

**Небезпека ураження електричним струмом!** Якщо не використовувати дрiт заземлення та автомат захисту від струму витоку, це може призвести до тяжких травм та опіків.

- ▶ Дрiт заземлення та автомат захисту від струму витоку завжди повинні бути приєднані до електричного контуру будівельного майданчика – незалежно від того, чи здійснюється живлення від мережі або генератора.
- ▶ Не використовуйте інструмент без цих засобів безпеки.

### ПОПЕРЕДЖЕННЯ

**Небезпека через пошкодження кабелю!** Якщо під час роботи було пошкоджено кабель живлення або подовжувальний кабель, торкатися до них заборонено. Вийміть штепсельну вилку кабелю живлення з розетки.

- ▶ Регулярно перевіряйте з'єднувальний кабель інструмента. Якщо Ви виявили його пошкодження зверніться до фахівця-електрика, щоб замінити кабель.

На виконання всіх робіт обов'язково отримайте дозвіл будівельного управління!

### 5.2.1 Довбання отворів

1. Уставте штепсельну вилку кабелю живлення в розетку.
2. Установіть зубило в потрібне положення.
3. Натисніть на вимикач.



Робота за низьких температур:

Для функціонування ударного механізму інструмента потрібна певна мінімальна робоча температура. Щоб прогріти інструмент до такої температури, покладіть його на робочу поверхню і дайте йому попрацювати на холостому ходу протягом деякого часу. У разі необхідності повторюйте вищезазначене, аж поки ударний механізм не почне працювати.

### 5.2.2 Вимикання інструмента

1. Натисніть на вимикач.
2. Вийміть штепсельну вилку кабелю живлення з розетки.

### 5.2.3 Указівки щодо роботи



Зубило може бути виставлене в 6 різних позиціях (через кожні 60°). Це надає можливість працювати плоскими та фасонними зубилами в оптимальному для кожного їх різновиду робочому положенні.

- ▶ Розташуйте зубило на відстані приблизно 80–100 мм (3¼"–4") від кромки оброблюваної поверхні.
- ▶ Якщо Ви обробляєте залізобетон, завжди направляйте зубило в бік кромки плити, а не в бік арматурних стрижнів.
- ▶ Довбати починайте під кутом 70–80° до поверхні бетону, направляючи лезо зубила у бік кромки плити. Після цього збільшуйте кут нахилу зубила до 90° і відламуєте матеріал.
- ▶ Регулярно повертайте зубило, оскільки рівномірне зношування сприяє його самозаточуванню.
- ▶ Якщо сила притискання недостатня, зубило відскакуватиме від оброблюваної поверхні. У разі надмірної сили притискання зменшуватиметься потужність довбання.

## 6 Транспортний візок (опція)

### 6.1 Транспортування

Транспортний візок дозволяє безпечно перевозити відбійний молоток.

- Подбайте про те, щоб транспортний візок був у стійкому положенні.
- Установіть інструмент на передбачену для цього оправку і зафіксуйте його на час перевезення скобою-фіксатором.
- Уставте зубила у передбачені для них тримачі, поки вони не зафіксуються.



- Подбайте про безпечні маршрути для транспортування.
- Не залишайте транспортний візок на похилій площині.

## 7 Догляд і технічне обслуговування

### ПОПЕРЕДЖЕННЯ

**Небезпека ураження електричним струмом!** Здійснення догляду та технічного обслуговування інструмента, що підключений до мережі живлення, може призвести до тяжких травм та опіків.

- ▶ Завжди діставайте штекер кабелю живлення з розетки, перш ніж розпочинати роботи з догляду та технічного обслуговування!

### Догляд

- Обережно видаляйте накопичення бруду.
- Обережно очищайте вентиляційні прорізи сухою щіткою.
- Протирайте корпус вологою тканиною. Забороняється використовувати миючі засоби, що містять силікон, оскільки вони можуть пошкодити пластмасові деталі.

### Технічне обслуговування

### ПОПЕРЕДЖЕННЯ

**Небезпека ураження електричним струмом!** Проведення неавторизованого ремонту електричних частин інструмента може призвести до отримання тяжких травм та опіків.

- ▶ До ремонту електричної частини інструмента залучайте лише фахівця-електрика.
- Регулярно перевіряйте усі зовнішні частини на наявність пошкоджень, а органи керування інструмента – на предмет справної роботи.
- Якщо Ви виявили пошкодження та/або порушення функціональності інструмента, припиніть його використання. Негайно зверніться до сервісної служби компанії **Hilti** для здійснення ремонту.
- Після проведення догляду і технічного обслуговування встановіть усі захисні пристрої та перевірте їхню роботу.

Щоб гарантувати належну роботу інструмента, використовуйте тільки оригінальні запасні частини та видаткові матеріали. Рекомендовані запасні частини, видаткові матеріали та приладдя для Вашого інструмента Ви можете придбати у найближчому магазині **Hilti Store** або на веб-сайті [www.hilti.group](http://www.hilti.group).

## 8 Допомога у разі виникнення несправностей

У разі виникнення несправностей, які не зазначені у цій таблиці або які Ви не можете полагодити самостійно, зверніться до сервісної служби компанії **Hilti**.

### 8.1 Таблиця несправностей

Несправність	Можлива причина	Рішення
Інструмент не вмикається	Триває ініціалізація електронного блоку (продовжується до 4 секунд після приєднання штекера)	▶ Вимкніть інструмент, а потім знову увімкніть його.
	Збій в мережі електроживлення	▶ Для перевірки наявності живлення підключіть інший інструмент.
	Пошкоджений кабель живлення або штепсельна вилка	▶ Для перевірки зверніться до фахівця-електрика і в разі необхідності виконайте заміну.





Несправність	Можлива причина	Рішення
Інструмент не вмикається	Генератор знаходиться у режимі сну	► Збільште навантаження на генератор, підключивши до нього ще один пристрій (наприклад, освітлювальну лампу для будівельного майданчика). Після цього увімкніть інструмент, а потім вимкніть його знову.
Відсутній удар	Інструмент занадто холодний	► Дайте інструменту прогрітися до мінімальної робочої температури.
	Інструмент пошкоджений	► Передайте інструмент до сервісної служби компанії <b>Hilti</b> для здійснення ремонту.
Інструмент не вмикається або вимикається під час роботи, при цьому індикатор мигає червоним кольором	Тимчасова несправність (наприклад, перегрів або занадто висока напруга)	► Вимкніть інструмент, дайте йому охолонути або при'єднайте його до іншого джерела живлення.
Інструмент працює, але індикатор постійно світиться червоним кольором	Попередження по необхідності виконання сервісного обслуговування	► Передайте інструмент до сервісної служби компанії <b>Hilti</b> для здійснення технічного обслуговування або ремонту.
Інструмент не вмикається або вимикається під час роботи	Подовжувальний кабель занадто довгий або має занадто малий поперечний переріз	► Використовуйте подовжувальний кабель належної довжини та з достатнім поперечним перерізом.
	Знімний кабель живлення підключений неналежним чином.	► Належним чином підключіть до електроінструмента знімний кабель живлення.

## 9 Утилізація

Більшість матеріалів, з яких виготовлено інструменти компанії **Hilti**, придатні для вторинної переробки. Передумовою для їхньої вторинної переробки є належне сортування відходів за типом матеріалу. У багатьох країнах світу компанія **Hilti** приймає старі інструменти для їхньої утилізації. Щоб отримати додаткову інформацію з цього питання, звертайтеся до сервісної служби компанії **Hilti** або до свого торгового консультанта.



- Не викидайте електроінструменти, електронні пристрої та акумуляторні батареї у баки для побутового сміття!

## 10 RoHS (директива КНП про обмеження використання небезпечних речовин)

Щоб переглянути таблицю з інформацією про небезпечні речовини, будь ласка, перейдіть за таким посиланням: [qr.hilti.com/r6025050](http://qr.hilti.com/r6025050).

Посилання на таблицю з інформацією про речовини, включені до директиви RoHS, наведено наприкінці цього документа у вигляді QR-коду.

## 11 Гарантійні зобов'язання виробника

- З питань гарантії, будь ласка, звертайтеся до найближчого партнера компанії **Hilti**.



# Түпнұсқа пайдалану бойынша нұсқаулық

## 1 Пайдалану бойынша нұсқаулық туралы мәліметтер

### 1.1 Осы пайдалану бойынша нұсқаулық туралы



#### Импорттауыш және өндірушінің өкілетті ұйымы

- (RU) Ресей Федерациясы  
"Хилти Дистрибьюшн ЛТД" АҚ, 141402, Мәскеу облысы, Химки қ., Ленинградская к-сі, 25-бет, 15.26-құрылымы
- (BY) Беларусь Республикасы  
"Хилти БиУай" ЖШС, 222750, Минск облысы, Дзержин ауданы, Р-1, 18 км, 2 (Слободка ауылының жанында), 1-34 құрылымы
- (KZ) Қазақстан Республикасы  
"Хилти Қазақстан" ЖШС, 050057, Алматы қ., Бостандық ауданы, Тимирязев к-сі, 42/15 үй, литер 012 (15 корпус)
- (KG) Қырғыз Республикасы  
"Т AND Т" ЖШҚ, 720021, Қырғызстан, Бішкек қ., Ибраимов көш., 29 А үйі
- (AM) Армения Республикасы  
"ЭЙЧ-КОН" ЖШҚ, 0070, Ереван қ., Ерманда Кочар к-сі, 19/28


Өндірілген елі: жабдықтағы белгілеу тақтайшасын қараңыз.

Өндірілген күні: жабдықтағы белгілеу тақтайшасын қараңыз.

Тиісті сертификатты мына мекенжай бойынша табуға болады: [www.hilti.ru](http://www.hilti.ru)

Сақтау, тасымалдау және пайдалану шарттарына пайдалану бойынша нұсқаулықта белгіленгеннен басқа арнайы талаптар қойылмайды.

Өнімнің қызмет ету мерзімі 5 жыл.

- Ескерту! Өнімді пайдаланбас бұрын өніммен бірге берілген пайдалану бойынша нұсқаулықты, соның ішінде нұсқаулар, қауіпсіздік және ескерту нұсқаулары, суреттер мен спецификацияларды міндетті түрде оқып шығыңыз және түсініп алыңыз. Барлық нұсқаулар, қауіпсіздік және ескерту нұсқаулары, суреттер, спецификациялар, сондай-ақ құрамдас бөлшектер және функциялармен танысып шығыңыз. Бұл нұсқау орындалмаған жағдайда, ток соғу, өрт және/немесе ауыр жарақат алу қаупі туындайды. Пайдалану бойынша нұсқаулықты, соның ішінде барлық нұсқауларды, қауіпсіздік және ескерту нұсқауларын кейін пайдалану үшін сақтап қойыңыз.
- **HILTI** өнімдері кәсіби пайдаланушыларға арналған және оларды тек қана өкілетті, білікті қызметкерлер пайдалануы, күтім және техникалық қызмет көрсетуі тиіс. Қызметкерлер қауіпсіздік техникасы бойынша арнайы нұсқау алуы керек. Өнім мен оның қосалқы құралдарын басқа мақсатта қолдану немесе олардың оқытылмаған қызметкерлердің тарапынан пайдаланылуы қауіпті.
- Берілген пайдалану бойынша нұсқаулық басып шығарылған мезетте техниканың ағымдағы жағдайына сәйкес келеді. Ағымдағы нұсқау әрдайым Hilti өнімдерінің веб-сайтында қолжетімді. Ол үшін осы пайдалану бойынша нұсқаулықтағы  деп белгіленген сілтемеге өтіңіз немесе QR кодын сканерлеңіз.
- Өнімді басқа тұлғаларға тек осы пайдалану бойынша нұсқаулықпен бірге беріңіз.

### 1.2 Шартты белгілердің анықтамасы

#### 1.2.1 Ескерту

Ескертулер өнімді қолдану барысындағы қауіптер туралы ескертеді. Төмендегі сигналдық сөздер пайдаланылады:



**ҚАУІПТІ**

#### ҚАУІПТІ !

- Ауыр жарақаттарға әкелетін немесе өмірге қауіп төндіретін тікелей қауіпті жағдайдың жалпы белгіленуі.



## ЕСКЕРТУ

### ЕСКЕРТУ !

- ▶ Ауыр жарақаттарға әкелуі немесе өмірге қауіп төндіруі мүмкін ықтимал қауіпті жағдайдың жалпы белгіленуі.

## АБАЙЛАҢЫЗ

### АБАЙЛАҢЫЗ !

- ▶ Жарақат алуға немесе мүліктің зақымдалуына әкелуі мүмкін ықтимал қауіпті жағдайдың жалпы белгіленуі.

### 1.2.2 Пайдалану бойынша нұсқаулықтағы белгілер

Бұл пайдалану бойынша нұсқаулықта төмендегі белгілер пайдаланылады:

	Пайдалану бойынша нұсқаулықты ұстану
	Аспапты пайдалану бойынша нұсқаулар және басқа пайдалы ақпарат
	Қайта пайдалануға болатын материалдармен жұмыс істеу
	Электр аспаптарды және аккумуляторларды тұрмыстық қоқысқа тастамаңыз

### 1.2.3 Суреттердегі белгілер

Суреттерде төмендегі белгілер қолданылады:

	Бұл сандар осы пайдалану бойынша нұсқаулықтың басындағы тиісті суретке сәйкес келеді.
	Суреттердегі нөмірлер маңызды жұмыс кезеңдерін немесе жұмыс кезеңдері үшін маңызды құрамдас бөлшектерді көрсетеді. Мәтінде бұл жұмыс кезеңдері немесе құрамдас бөлшектері сәйкес сандармен ерекшеленеді, мысалы, (3).
	Позиция нөмірлері <b>Шолу</b> суретінде қолданылады және <b>Өнімге шолу</b> мақаласындағы шартты белгілердің нөмірлеріне сілтейді.
	Аталмыш белгілер өнімді қолдану барысында айрықша назарыңызды аудартады.

## 1.3 Өнімге қатысты белгілер

### 1.3.1 Өнімдегі белгілер

Өнімде төмендегі белгілер пайдаланылады:

	II қорғау класы (қос изоляция)
	Ақаулықтарды жою

## 2 Қауіпсіздік

### 2.1 Электр құралдары үшін қауіпсіздік техникасы бойынша жалпы нұсқаулар

**ЕСКЕРТУ** Бұл электр құралына арналған барлық қауіпсіздік нұсқауларын, нұсқауларды, суреттерді және техникалық деректерді оқып шығыңыз. Төменде берілген нұсқауларды орындамау электр тогының соғуына, өртке әкелуі мүмкін және/немесе ауыр жарақаттарды тудыруы мүмкін.

**Қауіпсіздік техникасы бойынша барлық нұсқауларды және нұсқауларды келесі пайдаланушы үшін сақтаңыз.**

Қауіпсіздік нұсқауларында қолданылатын «электр құралы» термині электр желісінен (желілік кабельмен) және аккумулятордан (желілік кабельсіз) жұмыс істейтін электр құралын білдіреді.

#### Жұмыс орны

- ▶ **Жұмыс орнындағы тазалықты және тәртіпті қадағалаңыз.** Жұмыс орнындағы ретсіздік және нашар жарық сәтсіз жағдайларға әкелуі мүмкін.



- ▶ **Жанғыш сұйықтықтар, газдар немесе шаң бар жарылыс қаупі бар аймақта электр құралын қолданбаңыз.** Жұмыс кезінде электр құралдары ұшқындар шығады және ұшқындар шаңды немесе буларды тұтандыруы мүмкін.
- ▶ **Балалардың және бөгде адамдардың жұмыс істеп тұрған электр құралына жақындауына рұқсат етпеңіз.** Жұмысқа көңіл бөлмегенде, электр құралын бақылау жоғалуы мүмкін.

#### **Электр қауіпсіздігі**

- ▶ **Электр құралдың байланыс ашасы электр желісінің розеткасына сай болуы керек.** Айырдың конструкциясын өзгертпеңіз. Қорғауыш жерге қосуы бар электр құралдарымен бірге өтпелі айырларды қолданбаңыз. Түпнұсқа айырлар және оларға сай розеткалар электр тогының соғу қаупін азайтады.
- ▶ **Жерге қосылған беттерге, мысалы, құбырларға, жылыту құралдарына, пештерге (плиталарға) және тоназытқыштарға тікелей тиюді болдырмаңыз.** Жерге қосылған заттарға тигенде электр тогының соғуының үлкен қаупі туындайды.
- ▶ **Электр құралдарды жаңбырдан немесе ылғал әсерінен сақтаңыз.** Электр құралға су тиюі нәтижесінде электр тогының соғу қаупі артады.
- ▶ **Байланыс сымын басқа мақсатта қолданбаңыз, мысалы, электр құралды тасымалдау, оны іліп қою немесе электр желісінің розеткасынан айырды шығару үшін.** Байланыс сымын жылу, май, өткір жиектер немесе жылжымалы бөліктерден алшақ ұстаңыз. Байланыс сымының зақымдалуы немесе қабаттасуы нәтижесінде электр тогының соғу қаупі артады.
- ▶ **Егер жұмыстар ашық ауада орындалса, тек бөлмелерден тыс қолдануға жарамды ұзартқыш сымды пайдалану электр тогының соғу қаупін азайтады.**
- ▶ **Егер электр құралмен ылғалдылық жағдайларында жұмыс істеуді болдырмау мүмкін емес болса, шығып кететін токтан қорғау автоматын қолданыңыз.** Шығып кететін токтан қорғау автоматын қолдану электр тогының соғу қаупін азайтады.

#### **Адамдардың қауіпсіздігі**

- ▶ **Ұқыпты болыңыз, әрекеттеріңізге көңіл бөліңіз және электр құралымен жұмыс істеуге дұрыс қараңыз.** Шаршаған кезде немесе есірткі, алкоголь не дәрі қабылдаған соң электр құралын қолданбаңыз. Электр құралын қолданған кездегі зейінсіздік ауыр жарақаттарға апарып соғуы мүмкін.
- ▶ **Жеке қорғану құралдарын пайдаланыңыз және әрқашан міндетті түрде қорғауыш көзілдірікті киіңіз.** Электр құралының түріне және пайдалану жағдайларына байланысты жеке қорғану құралдарын, мысалы, шаңнан қорғайтын респираторды, сырғымайтын аяқ киімді, қорғауыш шлемді, естуді қорғау құралдарын қолдану жарақаттану қаупін азайтады.
- ▶ **Электр құралының кездейсоқ қосылуын болдырмаңыз.** Электр қуатына қосу және/немесе аккумуляторды қою, көтеру немесе тасымалдау алдында электр құралы өшірілгеніне көз жеткізіңіз. Электр құралын тасымалдағанда саусақтар сөндіргіште болатын немесе қосылған электр құралы желіге қосылатын жағдайлар сәтсіз жағдайларға әкелуі мүмкін.
- ▶ **Электр құралын қосу алдында реттеуші құрылғыларды және гайка кілтін алыңыз.** Электр құралының айналатын бөлігіндегі аспап немесе кілт жарақаттарға әкелуі мүмкін.
- ▶ **Жұмыс кезінде ыңғайсыз қалыптарға тұрмауға тырысыңыз.** Үнемі тұрақты күйді және тепендікті сақтаңыз. Бұл күтпеген жағдайларда электр құралын жақсырақ басқаруға мүмкіндік береді.
- ▶ **Арнайы киімді киіңіз. Өте бос киімді немесе әшекейлерді кимеңіз.** Шашты, киімді және қолғапты электр құралының айналатын түйіндерінен сақтаңыз. Бос киім, әшекейлер және ұзын шаш оларға ілінуі мүмкін.
- ▶ **Егер шаңды жинау және кетіруге арналған құрылғыларды қосу қарастырылған болса, олар қосылғанына және мақсаты бойынша қолданылып жатқанына көз жеткізіңіз.** Шаңды кетіру модулін пайдалану шаңның зиянды әсерін азайтады.
- ▶ **Өз мойныңызға қате қауіпсіздік сезімін алмаңыз және электр құралына арналған қауіпсіздік ережелерін бұзбаңыз, тіпті электр құралын жиі қолданатын тәжірибелі пайдаланушы болсаңыз.** Мұқиятсыз қолдану бірнеше секундта ауыр жарақаттануға апарып соғуы мүмкін.

#### **Электр құралын қолдану және оған қызмет көрсету**

- ▶ **Аспапқа шамадан тыс жүктеме түсуін болдырмаңыз.** Нақ осы жұмысқа арналған электр құралын қолданыңыз. Бұл ережені сақтау көрсетілген қуат диапазонында жоғарырақ жұмыс сапасын және қауіпсіздігін қамтамасыз етеді.
- ▶ **Сөндіргіші бұзылған электр құралын қолданбаңыз.** Қосу немесе өшіру қиын электр құралы қауіпті және оны жөндеу керек.



- ▶ Электр құралын реттеуге, саймандарды ауыстыруға кірісу алдында немесе жұмыстағы үзіліс алдында розеткадан ашаны және/немесе электр құралынан алмалы-салмалы аккумуляторды шығарыңыз. Бұл сақтық шарасы электр құралының кездейсоқ қосылуын болдырмайды.
- ▶ Қолданылмайтын электр құралдарын балалар жетпейтін жерде сақтаңыз. Аспаптан таныс емес немесе осы нұсқауларды оқып шықпаған адамдарға аспапты пайдалануға рұқсат бермеңіз. Электр құралдары тәжірибесі жоқ пайдаланушылардың қолында қауіпті болады.
- ▶ Электр құралдары мен керек-жарақтарға ұқыпты қараңыз. Айналмалы бөліктердің мүлтіксіз қызмет ететінін, олардың жүрісінің жеңілдігін, барлық бөліктердің тұтастығын және электр құралының жұмысына теріс әсер етуі мүмкін зақымдардың жоқтығын тексеріңіз. Аспаптың зақымдалған бөліктерін оны қолдану алдында жөндеуге өткізіңіз. Электр құралына техникалық қызмет көрсету ережелерін сақтамау көп сәтсіз жағдайлардың себебі болып табылады.
- ▶ Кескіш аспаптардың үшкір және таза болуын қадағалау керек. Жұмыс күйінде сақталатын кескіш аспаптардың сыналануы сиректеу болады, оларды басқару жеңілдеу.
- ▶ Электр құралын, саймандарды, көмекші құрылғыларды және т.б. нұсқауларға сай пайдаланыңыз. Бұл кезде жұмыс жағдайларын және орындалатын жұмыстың сипатын ескеріңіз. Электр құралдарын басқа мақсаттарда қолдану қауіпті жағдайларға әкелуі мүмкін.
- ▶ Тұтқыштар мен тұтқыш беттерін таза, құрғақ, май іздерінсіз ұстаңыз. Сырғанақ тұтқыштар мен олардың беттері белгілі бір жағдайларда электр құралының қауіпсіз қолданылуы мен басқарылуына жол бермейді.

#### Қызмет көрсету

- ▶ Электр құралын жөндеуді тек түпнұсқа қосалқы бөлшектерді қолданатын білікті қызметкерлерге сеніп тапсырыңыз. Бұл электр құралын қауіпсіз күйде сақтауды қамтамасыз етеді.

## 2.2 Перфораторлармен жұмыс істеу кезіндегі қауіпсіздік техникасы бойынша нұсқаулар

### Барлық жұмыстарға арналған қауіпсіздік техникасы бойынша нұсқаулар

- ▶ Қорғауыш құлаққапты киіңіз. Шу әсерінің нәтижесінде есту қабілеті жоғалуы мүмкін.
- ▶ Аспап жинағына кіретін қосымша тұтқыштарды қолданыңыз. Аспапты басқаруды жоғалту жарақаттарға әкелуі мүмкін.
- ▶ Аспаптың жасырын электр сымдарын немесе желілік кабельді зақымдау қауіп болғанда аспапты оқшауланған беттерінен ұстаңыз. Электр сымдарына тигенде аспаптың қорғалмаған металл бөліктері кернеу астында болады. Бұл электр тогының соғуына әкелуі мүмкін.

## 2.3 Қашайтын балғаға арналған қауіпсіздік техникасының қосымша нұсқаулары

### Адамдардың қауіпсіздігі

- ▶ Өнімді және керек-жарақтарды тек техникалық мінсіз күйінде қолданыңыз.
- ▶ Өнімде немесе керек-жарақтарда ешқандай манипуляциялар не өзгерістер орындамаңыз.
- ▶ Төбе, қабырға мен еденді қашау кезінде қауіпсіз және тұрақты күйді сақтаңыз. Кенет жарылу нәтижесінде тепе-теңдігіңіз бұзылуы мүмкін!
- ▶ Тесіп өтетін бұрғылау кезінде қауіпті аймақты қабырғаның қарама-қарсы жағынан қоршаңыз. Сыртқа шығатын және/немесе төмен түсетін сынықтар адамдарға жарақат тигізуі мүмкін.
- ▶ Аспапты қолданған кезде өзіңіз бен жұмыс аймағындағы тұлғалар арнайы қорғаныс көзілдірігін, қорғаныс шлемін, құлаққап, қорғаныс құлаққап, қорғаныс қолғап пен жеңіл респиратор тағып жүруі керек.
- ▶ Құралды алмастырған кезде қорғауыш қолғап киіңіз. Алмалы-салмалы аспапқа тию кесіктерге және күйіктерге апарып соғуы мүмкін.
- ▶ Қорғауыш көзілдіріктерді пайдаланыңыз. Материалдың сынықтары денені және көзді жарақаттауы мүмкін.
- ▶ Ажарлау, егеуқұм қағазымен тазалау, кесу және бұрғылау кезінде пайда болатын шаңның құрамында қауіпті химиялық заттар болуы мүмкін. Мысалдары келесідей: қорғасын немесе қорғасын негізіндегі бояулар; плитка, бетон және басқа кірпіш қалау өнімдері, табиғи тас және басқа силикаттық өнімдер; өмен, шамшат және химиялық затпен өңделген сүрек сияқты белгілі бір сүрек түрлері; асбест немесе құрамында асбест бар материалдар. Пайдаланушы мен оның айналасындағы адамдарға әсер ету дәрежесін өңдеу орындалатын материалдардың қауіп класы бойынша анықтаңыз. Әсерді қауіпсіз деңгейде сақтау үшін шаң жинайтын жүйелерді пайдалану немесе арнайы тыныс алу органдарының қорғанысын киіп жүру сияқты қажетті шараларды қолданыңыз. Әсер ету дәрежесін азайту бойынша жалпы шараларға төмендегілер жатады:
  - ▶ Жақсы желдетілген аймақта жұмыс істеу,
  - ▶ Шаңның ұзақ уақыт бойы тиюіне жол бермеу,



- ▶ Шаңды көз бен денеден алыстату,
  - ▶ Қорғаныс киімін киіп жүру және әсер етілген жерлерді сумен және сабынмен жуу.
- ▶ Саусақтың қан айналымын жақсарту үшін жиі үзіліс жасап, жаттығу жасаңыз. Ұзақ уақыт жұмыс істеген кезде, қатты дірілдердің салдарынан саусақ, қол не буындардың қантамыры не жүйкесіне теріс әсер тиюі мүмкін.

### Электр қауіпсіздігі

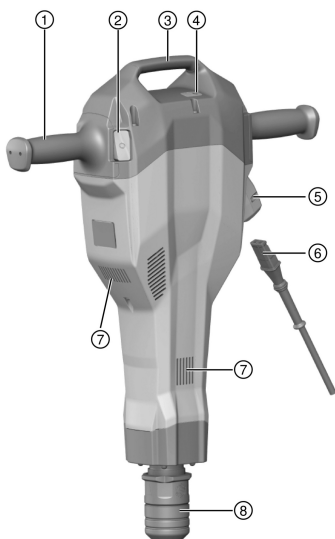
- ▶ Жұмысты бастамас бұрын жұмыс аймағында жасырын сымдардың, газ бен су құбырларының бар-жоғын тексеріп шығыңыз. Қуыт сымына, газ немесе су құбырына зақым келтірген жағдайда, өнімнің сыртындағы металл бөліктер ток соғуға немесе жарылысқа әкелуі мүмкін.

### Электр құралмен дұрыс жұмыс істеу және оны дұрыс пайдалану

- ▶ Өнімді жұмыс күйіне орнатылғаннан кейін ғана қосыңыз.
- ▶ Өнімді алып тастау алдында ол толығымен тоқтағанша күтіңіз.

## 3 Сипаттама

### 3.1 TE 2000-AVR шолуы 1



- ① Тұтқыш
- ② Қосқыш/ажыратқыш
- ③ Тұтқыш
- ④ Қызметтік индикатор
- ⑤ Желілік кабель ашасы
- ⑥ Алмалы-салмалы желілік кабель
- ⑦ Желдету ойықтары
- ⑧ Құрал бекіткіші

### 3.2 Тасымалдау арбашасына шолу 2

- ① Тұтқыш
- ② Тежеуіш тұтқа
- ③ Пайдаланылатын материал ұстағышы (кескіш)
- ④ Дөңгелектер
- ⑤ Дөңгелек қорғанысы (диск, шплинт)
- ⑥ Құрылғының қысқыш жақтауы

### 3.3 Мақсатына сай қолдану

Сипатталған өнім қолмен басқарылатын кен балғасы болып табылады. Ол бетон, тас және асфальт бойынша қашауға арналған. Сондай-ақ, оны тегістеу және қазу үшін пайдалануға болады.

Аспапты тек фирмалық тақтайшада көрсетілген электр желісінің кернеуі болғанда ғана пайдалану мүмкін болады.

### 3.4 Болжалды қате пайдалану

- Аспапты тек құрғақ жерлерде қолдануға болады.
- Аспапты өрт және жарылыс қаупі бар жерлерде қолданбаңыз.
- Денсаулыққа қауіпті материалдарды (мысалы, асбестті) қолдануға тыйым салынады.



### 3.5 Active Vibration Reduction

Өнім дірілді айтарлықтай азайтатын қосымша Active Vibration Reduction (AVR) жүйесімен жабдықталған.

### 3.6 Қызметтік индикатор

Қашайтын балға жарық сигналы бар қызметтік индикатормен жабдықталған.

Құралдың бөлшектері	Сипаттамасы
Қызметтік индикатор қызыл түспен жанып тұр.	Қызмет көрсету мерзімі шегіне жетті. Өнімнің әрдайым жұмысқа дайын болуын қамтамасыз ету үшін, оны дер кезінде <b>Hilti</b> қызмет көрсету орталығына апарыңыз. Аспаптағы ақаулықтар.
Қызметтік индикатор қызыл түспен жыпылықтайды.	Қызып кетуден қорғаныс Қамтудың кернеуі тым төмен.

### 3.7 Жеткізілім жинағы

Қашайтын балға, алмалы-салмалы желілік кабель, пайдалану бойынша нұсқаулық, жағармай. Тасымалдау арбашасы керек-жарақ ретінде ұсынылады.

Оған қоса, өнімнің үшін рұқсат етілген жүйелік өнімді **Hilti** орталығында немесе келесі сайтта табуға болады: [www.hilti.group](http://www.hilti.group)

## 4 Техникалық сипаттамалар

### 4.1 Қашайтын балға



Номиналды кернеу, номиналды ток, жиілік және/немесе номиналды тұтынылатын қуат туралы ақпарат елге тән фирмалық тақтайшада берілген.

Генераторда немесе трансформаторда жұмыс істеген кезде, осы шығыс қуат аспаптың фирмалық тақтайшасында көрсетілген номиналды тұтынылатын қуаттан кем дегенде екі есе жоғары болуы керек. Трансформатор немесе генератордың басқару кернеуі әрдайым аспаптың номиналды тұтынылатын қуатының +5 % және -15 % аралығында болуы керек.

	TE 2000-AVR
Өнім буыны	01
ЕРТА 01 процедурасы бойынша салмағы	14,5 кг
Соққылар жиілігі	30 Гц
Қорғау класы	II

### 4.2 Шуыл туралы ақпарат және діріл мәні

Осы нұсқауларда көрсетілген дыбыс қысымы мен діріл деңгейі стандартты өлшеу әдісімен өлшенген және оны басқа электр құралдарымен салыстыру үшін пайдалануға болады. Сонымен бірге, ол экспозицияны алдын ала бағалау үшін жарайды.

Берілген деректер электр құралының негізгі жұмысын көрсетеді. Алайда, егер электр құралы басқа мақсаттарда, басқа жұмыс аспаптарымен қолданылса немесе оған қанағаттандырмайтын техникалық қызмет көрсетілсе, деректер өзгеше болуы мүмкін. Осының салдарынан аспаптың бүкіл жұмыс істеу кезеңінде экспозиция айтарлықтай артуы мүмкін.

Экспозицияны дәл анықтау үшін электр құралы сөндірілген күй немесе бос жұмыс істейтін уақыт аралықтарын да ескеру керек. Осының салдарынан аспаптың бүкіл жұмыс істеу кезеңінде экспозиция айтарлықтай азаюы мүмкін.

Пайдаланушыны пайда болатын шуылдан және/немесе дірілден қорғау үшін қосымша сақтық шараларын қолданыңыз, мысалы: электр аспабына және жұмыс аспаптарына техникалық қызмет көрсету, қолдардың жылуын сақтау, жұмыс процестерін дұрыс ұйымдастыру.



Осы құжатта қолданылатын **EN 62841** стандарттарының нұсқалары туралы толық ақпарат сәйкестік бойынша декларацияның суретінде 166 берілген.



### Шуылдың эмиссиялық көрсеткіші

Өлшенген дыбыс күшінің деңгейі ( $L_{WA}$ )	96 дБ(А)
Дыбыс күшінің деңгейі бойынша дәлсіздік ( $K_{WA}$ )	3 дБ(А)
Эмиссиялық дыбыс қысымының деңгейі ( $L_{pA}$ )	88 дБ(А)
Дыбыс қысымының деңгейі бойынша дәлсіздік ( $K_{pA}$ )	3 дБ(А)

### Діріл мәні

Қашау ( $a_{h, Choc}$ )	3,9 м/с <sup>2</sup>
Дәлсіздік (К)	1,5 м/с <sup>2</sup>

## 5 Қызмет көрсету

### 5.1 Жұмысқа дайындық

#### АБАЙПАҢЫЗ

**Жарақат алу қаупі бар!** Өнімнің кездейсоқ іске қосылуы.

- ▶ Аспап реттеулерін орындау немесе қосалқы бөлшектерді алмастыру алдында желілік ашаны тартып шығарыңыз.

Осы құжаттамадағы және өнімдегі қауіпсіздік және ескерту нұсқауларын орындаңыз.

#### 5.1.1 Желілік кабельді аспапқа жалғау

Жиналмалы ашалы қосылымды тек таза, құрғақ және кернеусіз күйде өнімге жалғауға болады. Қосылым кодталған.

1. Желі кабелін тасымалдау қорабынан шығарыңыз.
2. Ашалы қосылымды шерту дыбысы естілгенше аспапқа бағыттаңыз.
3. Желілік кабель ашасын розеткаға салыңыз.

#### 5.1.2 Алмалы-салмалы аспапты енгізу

1. Кабель ашасын желілік розеткадан шығарыңыз.
2. Алмалы-салмалы аспап ұшын аздап майлаңыз.
  - ▶ Тек **Hilti** компаниясы ұсынған түпнұсқа жағармай қолданыңыз. Қате майды қолдану аспапқа зақым келтіруі мүмкін.
3. Алмалы-салмалы аспапты құрал бекіткішіне енгізіңіз және оны шерту дыбысы естілгенше сәл басып айналдырыңыз.
4. Қысқыда берік бекітілгеніне көз жеткізу үшін жұмыс аспабын өзіңізге тартыңыз.

#### 5.1.3 Алмалы-салмалы аспапты шығару

#### АБАЙПАҢЫЗ

**Жарақат алу қаупі бар!** Алмалы-салмалы аспап ыстық және/немесе өткір болуы мүмкін.

- ▶ Алмалы-салмалы аспапты ауыстырған кезде қорғауыш қаптаманы тіреңіз.
- ▶ Ыстық алмалы-салмалы аспапты тұтанғыш беттерге ешқашан қоймаңыз.

1. Кабель ашасын желілік розеткадан шығарыңыз.
2. Құрал құлпын тірелгенше артқа тартыңыз.
3. Алмалы-салмалы аспапты шығарыңыз.





## 5.2 Жұмыс істеу

### ЕСКЕРТУ

**Ток соғу қаупі!** Бүлінген жерге тұйықтаушы сым мен автоматты ажыратқыш ауыр жарақаттарға және өртке апарып соғуы мүмкін.

- ▶ Құрылыс алаңындағы желі немесе генераторға қосылған электрлік жеткізуші сымда әрдайым жерге тұйықтаушы сымдар мен автоматты ажыратқыш бар екендігін және қосылып тұрғанын қадағалап тұрыңыз.
- ▶ Осы қауіпсіздік құралдарынсыз ешбір өнімді іске қоспаңыз.

### ЕСКЕРТУ

**Зақымдалған кабельден қауіп бар!** Егер жұмыс кезінде желілік немесе ұзартқыш кабель зақымдалса, оған тиюге тыйым салынады. Желілік кабельді розеткадан шығарыңыз.

- ▶ Аспаптың желілік кабелін тұрақты түрде тексеріңіз және зақымдалған кабельді ауыстыру үшін тәжірибелі электрші маманды шақырыңыз.

Жұмыстарды құрылыс басқармасы толық көлемде мақұлдауы керек!

### 5.2.1 Қашау

1. Желілік кабель ашасын розеткаға салыңыз.
2. Кескішті қалаулы позицияға орнатыңыз.
3. Қуат сөндіргішін басыңыз.



Төмен температуралардағы жұмыс:

Аспап соғатын механизм жұмыс істегенше минималды жұмыс температурасын қажет етеді. Оған қол жеткізу үшін, аспапты аз уақытқа астыңғы бетке қойып, бос жүрісте жұмыс істетіңіз. Қажет болса, соғатын механизм іске қосылғанша әрекетті қайталаңыз.

### 5.2.2 Өшіру

1. Қуат сөндіргішін басыңыз.
2. Кабель ашасын желілік розеткадан шығарыңыз.

### 5.2.3 Ескертпелер



Кескішті 6 түрлі позицияға (60° қадамға) орнатуға болады. Осының есебінен жалпақ және қалыпқа түсірілген кескіштерді қажетті жұмыс күйіне орнатуға болады.

- ▶ Кескішті жиектен шамамен 80-100 мм-ге (3 1/8" - 4") орналастырыңыз.
- ▶ Арматуралық болатпен жұмыс істегенде, әрқашан кескішті арматуралық болат үстімен емес, материал жиегінің үстімен жүргізіңіз.
- ▶ Қашау әрекетін бетон бетіне 70° - 80° бұрышпен бастап, ұшты жиекке бағыттаңыз. Содан кейін бұрышты 90° бағытпен жылжытыңыз және материалды сындырып алыңыз.
- ▶ Кескішті жүйелі түрде айналдырыңыз, себебі біркелкі тозу өздігінен өткірлеу барысына қолдау көрсетеді.
- ▶ Тым әлсіз басу кескіштің негізден ыршып кетуіне әкеледі. Тым қатты басу кескіш қуатының төмендеуін тудырады.

## 6 Қосымша тасымалдау арбашасы

### 6.1 Тасымалдау

Тасымалдау арбашасы қашайтын балғаның қауіпсіз тасымалын қамтамасыз етеді.

- Тасымалдау арбашасының тұрақты күйін қамтамасыз етіңіз.
- Аспапты арнайы құрылғының қысқыш жақтауына қойып, тасымалдау барысында әрдайым қамытпен бекітіңіз.
- Кескішті арнайы ұстағышқа тірелгенше енгізіңіз.
- Қауіпсіз тасымалдау жолын қамтамасыз етіңіз.
- Тасымалдау арбашасын еңіс беттерге қоймаңыз.



## 7 Күтім және техникалық қызмет көрсету

### ЕСКЕРТУ

**Ток соғу қаупі бар!** Желілік аша енгізіліп тұрған кезде күтім және техникалық қызмет көрсету ауыр жарақаттарға және өртке апарып соғуы мүмкін.

- ▶ Кез келген күтім және техникалық қызмет көрсету жұмысын орындамас бұрын желілік ашаны әрдайым суырып алыңыз!

### Аспапты күту

- Қатты жабысқан кірді мұқият кетіріңіз.
- Желдету ойықтарын құрғақ қылшақпен жайлап тазалаңыз.
- Корпусты тек сәл суланған шүберекпен тазалаңыз. Ешқандай силикон қамтитын күтім құралдарын пайдаланбаңыз, өйткені олар пластмасса бөлшектерін зақымдауы мүмкін.

### Техникалық қызмет көрсету

### ЕСКЕРТУ

**Ток соғу қаупі!** Электрлік құрамдас бөлшектерді қате жөндеу ауыр жарақаттану мен өртке апарып соғуы мүмкін.

- ▶ Аспаптың электр бөлігін жөндеуді тек маман-электрикке тапсырыңыз.
- Барлық кезге көрінетін бөлшектерде зақымдардың бар-жоғын және басқару элементтерінің ақаусыз жұмысын жиі тексеріп тұрыңыз.
- Өнім зақымдалған және/немесе ақаулы болған жағдайда оны пайдаланушы болмаңыз. Бірден **Hilti** қызмет көрсету орталығына жөндетіңіз.
- Күтім және техникалық қызмет көрсету жұмыстарынан кейін барлық қорғауш құрылғыларды орнатып, жұмысын тексеріңіз.

Қауіпсіз қолдану үшін тек түпнұсқа қосалқы бөлшектер мен жұмсалатын материалдарды қолданыңыз. Біз рұқсат еткен қосалқы бөлшектер, шығын материалдары мен өнімге арналған керек-жарақтар **Hilti Store** дүкенінде немесе келесі веб-сайтта қолжетімді: [www.hilti.group](http://www.hilti.group).

## 8 Ақаулықтардағы көмек

Бұл кестеде келтірілмеген немесе өзіңіз түзете алмайтын ақаулықтар орын алғанда, **Hilti** қызмет көрсету орталығына хабарласыңыз.

### 8.1 Ақаулықтар кестесі

Ақаулық	Ықтимал себеп	Шешім
Аспап жұмыс істемейді	Электрониканы баптандыру орындалуда (ашаны жалғағаннан кейін шамамен 4 секундқа дейін).	▶ Аспапты өшіріп, қайта қосыңыз.
	Электрмен қамту жоқ	▶ Басқа электр аспапты қосыңыз және оның жұмысын тексеріңіз.
	Желілік кабель немесе аша ақаулы	▶ Тексеру үшін электрші маманға барыңыз және қажет болса, ауыстырыңыз.
	Генератор күту режимінде	▶ Генераторға екінші тұтынушы жүктеңіз (мысалы, құрылыс шамы). Содан кейін аспапты қосып, қайта өшіріңіз.
Соққымен бұрғылау орындалмайды	Аспап тым суық	▶ Аспаптың ең аз жұмыс температурасына дейін қызуына мүмкіндік беріңіз.
	Аспапта зақымдар бар	▶ Аспапты <b>Hilti</b> қызмет көрсету орталығында жөндеңіз.



Ақаулық	Ықтимал себеп	Шешім
Аспап жұмыс істемейді немесе жұмыс барысында өшіп қалады және индикатор қызыл түспен жыпылықтайды	Уақытша ақаулық (мысалы, шамадан артық қызу немесе кернеу)	▶ Аспапты өшіріп, суытыңыз немесе оны басқа қуат көзіне жалғаңыз.
Аспап жұмыс істеп тұр, бірақ индикатор қызыл түспен үздіксіз жанып тұр	Алдын ала қызметтік ескерту сигналы	▶ Қызмет көрсету немесе жөндеу жұмыстарын <b>Hilti</b> қызмет көрсету орталығына тапсырыңыз.
Аспап жұмыс істемейді немесе жұмыс барысында өшіп қалады	Ұзартқыш кабель тым ұзын немесе қимасы жеткіліксіз	▶ Ұзындығы жарамды және қимасы жеткілікті ұзартқыш кабельді қолданыңыз.
	Алмалы-салмалы желілік кабель дұрыс жалғанбаған.	▶ Алмалы-салмалы желілік кабельді электрлік аспапқа дұрыстап жалғаңыз.

## 9 Кәдеге жарату

**Hilti** аспаптары қайта өңдеу үшін жарамды көптеген материалдардың санын қамтиды. Кәдеге жарату алдында материалдарды мұқият сұрыптау керек. Көптеген елдерде **Hilti** компаниясы ескі аспабыңызды қайта өңдеу үшін қайта қабылдайды. **Hilti** қызмет көрсету орталығынан немесе дилеріңізден сұраңыз.



- ▶ Электр құралдарды, электрондық құрылғылар мен аккумуляторларды тұрмыстық қоқыспен бірге тастамаңыз!

## 10 RoHS (зиянды заттектердің пайдаланылуын шектеу директивасы)

Төмендегі сілтеме бойынша зиянды заттектердің кестесі келтірілген: [qr.hilti.com/r6025050](http://qr.hilti.com/r6025050). RoHS кестесінің сілтемесі осы құжаттаманың соңында QR коды ретінде берілген.

## 11 Өндіруші кепілдігі

- ▶ Кепілдік шарттары туралы сұрақтарыңыз болса, жергілікті **Hilti** серіктесіне жолығыңыз.

# Оригинал kullanım kılavuzu

## 1 Kullanım kılavuzu bilgileri

### 1.1 Bu kullanım kılavuzu hakkında

- **İkaz!** Ürünü kullanmadan önce, talimatlar, güvenlik ve uyarı bilgileri, çizimler ve teknik özellikler dahil olmak üzere ürünle birlikte verilen kullanım kılavuzunu okuduğunuzdan ve anladığınızdan emin olunuz. Özellikle tüm talimatları, güvenlik ve uyarı bilgilerinizi, çizimleri, teknik özellikleri ve bileşenleri ve fonksiyonları öğreniniz. Aksi takdirde elektrik çarpması, yangın ve/veya ciddi yaralanma tehlikesi meydana gelebilir. Tüm talimatlar, güvenlik ve uyarı bilgileri dahil olmak üzere kullanım kılavuzunu daha sonra kullanmak üzere saklayınız.
- **HILTI** ürünleri profesyonel kullanıcıların kullanımı için öngörülmüştür ve sadece yetkili personel tarafından kullanılabilir ve bakımı yapılabilir. Bu personel, meydana gelebilecek tehlikeler hakkında özel olarak eğitim görmüş olmalıdır. Aletin ve ilgili yardımcı gereçlerin eğitimsiz personel tarafından usulüne uygun olmayan şekilde kullanılması ve amaçları dışında çalıştırılması sonucu tehlikeli durumlar söz konusu olabilir.
- Ekteki kullanım kılavuzu, basım tarihindeki mevcut gelişmiş teknolojiye uygundur. En son sürümü her zaman Hilti ürün sayfasında bulabilirsiniz. Bunu yapmak için, bu kullanım kılavuzundaki sembolü ile işaretlenmiş bağlantıyı veya QR kodunu kullanınız.
- Ürünü başkalarına sadece bu kullanım kılavuzuyla birlikte veriniz.



## 1.2 Resim açıklaması

### 1.2.1 Uyarı bilgileri

Uyarı bilgileri, ürün ile çalışırken ortaya çıkabilecek tehlikelere karşı uyarır. Aşağıdaki uyarı metinleri kullanılır:

#### **TEHLİKE**

##### **TEHLİKE !**

- ▶ Ağır vücut yaralanmalarına veya doğrudan ölüme sebep olabilecek tehlikeler için.

#### **İKAZ**

##### **İKAZ !**

- ▶ Ağır yaralanmalara veya ölüme neden olabilecek tehlikeler için.





#### **DİKKAT**

##### **DİKKAT !**

- ▶ Vücut yaralanmalarına veya maddi hasarlara yol açabilecek olası tehlikeli durumlar için.


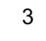


### 1.2.2 Kullanım kılavuzundaki semboller

Bu kullanım kılavuzunda aşağıdaki semboller kullanılmıştır:

	Kullanım kılavuzuna dikkat edilmelidir
	Kullanım uyarıları ve diğer gerekli bilgiler
	Geri dönüşümlü malzemeler ile çalışma
	Elektrikli aletleri ve aküleri evdeki çöplere atmayınız

### 1.2.3 Çizimlerdeki semboller


Çizimlerde aşağıdaki semboller kullanılmıştır:

	Bu sayılar, kullanım kılavuzunun başlangıcındaki ilgili çizime atanmıştır.
	Çizimlerdeki numaralandırma, önemli çalışma adımlarını veya çalışma adımları için önemli olan yapı parçalarını gösterir. Metinde, bu çalışma adımları veya yapı parçasına karşılık gelen sayılarla vurgulanmıştır, örn. <b>(3)</b> .
	Pozisyon numaraları <b>Genel bakış</b> çiziminde kullanılır ve <b>Ürüne genel bakış</b> bölümündeki açıklama numaralarına referans niteliğindedir.
	Bu işaret, ürün ile çalışırken dikkatinizi çekmek için koyulmuştur.

## 1.3 Ürün ile ilgili semboller


### 1.3.1 Üründeki semboller

Üründe aşağıdaki semboller kullanılmıştır:

	Koruma sınıfı II (çift izolasyonlu)
	Servis göstergesi

## 2 Güvenlik

### 2.1 Elektrikli el aletleri için genel güvenlik uyarıları

 **İKAZ** Bu elektrikli el aletine yönelik tüm güvenlik uyarılarını, talimatları, resimli açıklamaları ve teknik verileri dikkatlice okuyunuz. Aşağıdaki talimatlara uyulmaması durumunda elektrik çarpması, yangın ve/veya ağır yaralanmalar söz konusu olabilir.

**Tüm güvenlik uyarılarını ve kullanım talimatlarını muhafaza ediniz.**



Güvenlik uyarılarında kullanılan "Elektrikli el aleti terimi, şebeke işletimli elektrikli el aletleri (şebeke kablosu ile) veya akü işletimli elektrikli el aletleri (şebeke kablosu olmadan) ile ilgilidir.

### İş yeri güvenliği

- ▶ **Çalışma alanınızı temiz ve aydınlık tutunuz.** Düzensiz veya aydınlatma olmayan çalışma alanları kazalara yol açabilir.
- ▶ **Yanıcı sıvıların, gazların veya tozların bulunduğu patlama tehlikesi olan yerlerde elektrikli el aleti ile çalışmayınız.** Elektrikli el aletleri, toz veya buharı yakabilecek kıvılcım oluşturur.
- ▶ **Elektrikli el aletini kullanırken çocukları ve diğer kişileri uzak tutunuz.** Dikkatiniz dağılırsa aletin kontrolünü kaybedebilirsiniz.

### Elektrik güvenliği

- ▶ **Elektrikli el aletinin bağlantı fişi prize uygun olmalıdır. Fiş hiçbir şekilde değiştirilmemelidir. Adaptör fişini topraklama korumalı elektrikli el aletleri ile birlikte kullanmayınız.** Değiştirilmemiş fişler ve uygun prizler elektrik çarpması riskini azaltır.
- ▶ **Borular, radyatörler, fırınlar ve buzdolapları gibi toprağa temas eden üst yüzeylere vücudunuzla temas etmekten kaçınınız.** Vücudunuzun toprakla teması var ise yüksek bir elektrik çarpması riski söz konusudur.
- ▶ **Elektrikli el aletini yağmurdan veya ıslaklıktan uzak tutunuz.** Elektrikli el aletine su girmesi, elektrik çarpması riskini artırır.
- ▶ **Elektrikli el aletini taşımak, asmak veya fişi prizden çekmek için bağlantı kablosunu kullanım amacı dışında kullanmayınız. Bağlantı kablosunu sıcağtan, yağdan, keskin kenarlardan ve hareketli parçalardan uzak tutunuz.** Hasarlı veya dolanmış bağlantı kabloları elektrik çarpması riskini artırır.
- ▶ **Elektrikli bir el aleti ile açık alanda çalışacaksanız, sadece dışarıda kullanımına izin verilen uzatma kabloları kullanınız.** Dış mekanlar için uygun olan uzatma kablolarının kullanılması elektrik çarpması riskini azaltır.
- ▶ **Elektrikli el aleti işletiminin nemli ortamda yapılması kaçınılmaz ise bir kaçak akım koruma şalteri kullanınız.** Bir kaçak akım koruma şalterinin kullanımı elektrik çarpması riskini azaltır.

### Kişilerin güvenliği

- ▶ **Dikkatli olunuz, ne yaptığınıza dikkat ediniz ve elektrikli el aleti ile mantıklı bir şekilde çalışınız.** Yorgunsanız veya uyuşturucu, alkol veya ilaç etkisi altında olduğunuzda elektrikli el aleti kullanmayınız. Elektrikli el aletini kullanırken bir anlık dikkatsizlik ciddi yaralanmalara neden olabilir.
- ▶ **Kişisel koruyucu donanım ve her zaman bir koruyucu gözlük takınız.** Elektrikli el aletinin türüne ve kullanımına göre toz maskesi, kaymayan güvenlik ayakkabısı, koruyucu kask veya kulaklık gibi kişisel koruyucu donanımları kullanılması yaralanma riskini azaltır.
- ▶ **İstem dışı çalışmayı önleyiniz. Güç kaynağına ve/veya aküyü bağlamadan, girişini yapmadan veya taşımadan önce elektrikli el aletinin kapalı olduğundan emin olunuz.** Elektrikli el aletini taşırken parmağınız şalterde ise veya alet açık konumda güç kaynağına takılırsa bu durum kazalara yol açabilir.
- ▶ **Elektrikli el aletini devreye almadan önce ayar aletlerini veya vidalama anahtarlarını çıkartınız.** Dönen bir alet parçasında bulunan bir alet veya anahtar yaralanmalara yol açabilir.
- ▶ **Aşırı bir vücut hareketinden sakınınız. Güvenli bir duruş sağlayınız ve her zaman dengeli tutunuz.** Böylece beklenmedik durumlarda elektrikli el aletini daha iyi kontrol edebilirsiniz.
- ▶ **Uygun kıyafetler giyiniz. Bol kıyafetler giymeyiniz veya takı takmayınız. Saçları, kıyafetleri ve eldivenleri hareket eden parçalardan uzak tutunuz.** Bol kıyafetler, takı veya uzun saçlar hareket eden parçalara takılabilir.
- ▶ **Toz emme ve tutma tertibatları monte edilebiliyorsa bunların bağlı olduğundan ve doğru kullanıldığında emin olunuz.** Bu toz emme tertibatının kullanımı tozdan kaynaklanabilecek tehlikeleri azaltabilir.
- ▶ **Kendi güvenliğinizi riske atmayınız ve elektrikli el aletleri kullanımında son derece tecrübeli olsanız bile ilgili güvenlik kurallarını ihlal etmeyiniz.** Dikkatsiz kullanım saniyeler içerisinde ciddi yaralanmalara neden olabilir.

### Elektrikli el aletinin kullanımı ve çalıştırılması

- ▶ **Aleti çok fazla zorlamayın. Çalışmanız için uygun olan elektrikli el aletini kullanın.** Uygun elektrikli el aleti ile bildirilen hizmet alanında daha iyi ve güvenli çalışırsınız.
- ▶ **Şalteri bozuk olan elektrikli el aletini kullanmayınız.** Açılıp kapatılamayan bir elektrikli el aleti tehlikelidir ve tamir edilmesi gerekir.
- ▶ **Alet ayarlarını yapmadan, aksesuar parçalarını değiştirmeden veya aleti bir yere koymadan önce fişi prizden ve/veya (çıkartılabilir) aküyü aletten çıkarınız.** Bu önlem, elektrikli el aletinin istem dışı çalışmasını engeller.
- ▶ **Kullanılmayan elektrikli el aletlerini çocukların erişemeyeceği yerde muhafaza edin. Aleti iyi tanımayan veya bu talimatları okumamış kişilere aleti kullanırmayınız.** Elektrikli el aletleri bilgisiz kişiler tarafından kullanılırsa tehlikelidir.



- ▶ **Elektrikli el aletlerinin ve aksesuarlarının bakımını titizlikle yapınız. Hareketli parçaların kusursuz çalıştığı ve sıkışmadığı, parçaların kırılıp kırılmadığı veya hasar görüp görmediği, elektrikli el aleti fonksiyonlarının kısıtlanma durumlarını kontrol ediniz. Hasarlı parçaları aleti kullanmadan önce tamir ettiriniz.** Birçok kazanın nedeni bakımı kötü yapılan elektrikli el aletleridir.
- ▶ **Kesme aletlerini keskin ve temiz tutun.** Özenle bakımı yapılmış keskin bıçak kenarı olan kesme aletleri daha az sıkışır ve kullanımı daha rahattır.
- ▶ **Elektrikli el aletini, aksesuarları, ek aletleri vb. bu talimatlara göre kullanın. Çalışma şartlarını ve yapılacak işi de ayrıca göz önünde bulundurun.** Elektrikli el aletlerinin öngörülen kullanımı dışında kullanılması tehlikeli durumlara yol açabilir.
- ▶ **Tutamağı ve tutamak yüzeylerini daima temiz ve yağ ve gresten arındırılmış durumda tutunuz.** Kaygan tutamaklar ve tutamak yüzeyleri güvenli bir kullanımı ve öngörülemez durumlarda elektrikli el aletinin kontrolünü engeller.

### Servis

- ▶ **Elektrikli el aletinizi sadece kalifiye uzman personele ve sadece orijinal yedek parçalar ile tamir ettiriniz.** Böylece elektrikli el aletinin güvenliğinin korunduğundan emin olunur.

## 2.2 Kırıcı-delici için güvenlik uyarıları

### Tüm çalışmalara yönelik güvenlik uyarıları

- ▶ **Kulaklık takınız.** Aşırı sestten dolayı duyma kaybı meydana gelebilir.
- ▶ **Aletle birlikte verilen ek tutamakları kullanınız.** Kontrol kaybı yaralanmalara yol açabilir.
- ▶ **Kullandığınız aletin gizli elektrik hatlarına veya kendi şebeke kablosuna isabet edebileceği çalışmalar yapıyorsanız aleti sadece izolasyonlu tutamaklardan tutunuz.** Elektrik ileten bir hat ile temasta metal parçalar da gerilim altında kalır ve elektrik çarpmasına neden olabilir.

## 2.3 Keski tabancası ek güvenlik uyarıları

### Kişilerin güvenliği

- ▶ **Ürün ve aksesuar sadece teknik açıdan sorunsuz durumdayken kullanınız.**
- ▶ **Ürün veya aksesuar üzerinde asla manipülasyon veya değişiklik yapılmamalıdır.**
- ▶ **Tavanda, duvarda ve zeminde kesikleme yaparken güvenli ve sabit bir duruş sağlamaya dikkat ediniz.** Ani bir kırma hareketi denginizi bozabilir!
- ▶ **Kırma çalışmalarında, çalışılacak yerin karşı tarafında bulunan bölgeyi emniyete alınız.** Kırılan parçalar dışarı ve / veya yere düşebilir ve diğer kişilerin yaralanmasına sebep olabilir.
- ▶ **Aletin kullanımı sırasında siz ve yakında bulunan kişilerin uygun bir koruyucu gözlük, koruyucu kask, kulaklık, koruyucu eldiven ve hafif solunum koruma maskesi takması gerekir.**
- ▶ **Alet değişimi sırasında koruyucu eldiven takılmalıdır.** Ek alete takılan uçlara dokunmak kesik ve yanık türünde yaralanmalara yol açabilir.
- ▶ **Koruyucu gözlük kullanınız.** Etrafa sıçrayan malzeme vücudu ve gözleri yaralayabilir.
- ▶ **Taşlama, zımparalama, kesme ve delme işlemleri sonucunda oluşan tozlar tehlikeli kimyasallar içerebilir.** Bazı örnekler şunlardır: Kurşun temelli kurşun veya boya; Tuğla, beton ve diğer duvar ürünleri, doğal taş ve diğer silikat içeren ürünler; Meşe, kayın gibi belirli ahşaplar ve kimyasal işlem görmüş ahşap; Asbest veya asbest içerikli malzemeler. Çalışılan malzemenin tehlike sınıfına göre kullanıcının ve çevredeki kişilerin maruziyetini belirleyiniz. Maruziyeti güvenli bir seviyede tutmak için bir toz toplama sisteminin kullanımı veya uygun bir solunum koruma maskesinin kullanımı gibi gerekli önlemleri alınız. Maruziyeti azaltmaya yönelik genel önlemler aşağıdakilerdir:
  - ▶ İyi havalandırılan bir alanda çalışma,
  - ▶ Toz ile uzun süreli temastan kaçınma,
  - ▶ Yüz ve vücuttaki tozları giderme,
  - ▶ Koruyucu kıyafet kullanma ve maruz kalan alanları su ve sabunla yıkama.
- ▶ **Parmaklarınızdaki kan dolaşımının daha iyi olması için sık sık molalar veriniz ve parmak egzersizleri yapınız.** Uzun süren çalışmalarda yüksek titreşim, parmaklar, eller veya bileklerdeki sinir sisteminde veya kan damarlarında rahatsızlıklara neden olabilir.

### Elektrik güvenliği

- ▶ **Çalışmaya başlamadan önce çalışma alanında üzeri örtülü elektrik kablosu, gaz ve su borusu bulunup bulunmadığını kontrol ediniz.** Bir elektrik hattına, bir gaz veya su borusuna zarar verilmesi halinde, ürünün dışındaki metal parçalar elektrik çarpmasına veya patlamaya neden olabilir.

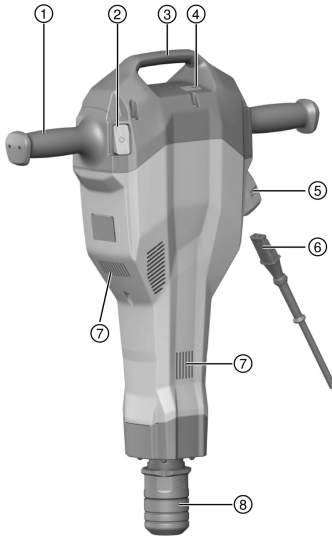
### Elektrikli el aletleri ile dikkatli çalışılması ve aletin doğru kullanılması

- ▶ **Ürünü ancak çalışma konumuna getirdikten sonra çalıştırınız.**
- ▶ **Yere koymadan önce ürünün tamamen durmasını bekleyiniz.**



### 3 Tanımlama

#### 3.1 TE 2000-AVR genel bakışı 1



- ① Tutamak
- ② Açma/kapatma şalteri
- ③ Taşıma kulbu
- ④ Servis göstergesi
- ⑤ Şebeke kablosu fişi
- ⑥ Geçmeli şebeke kablosu
- ⑦ Havalandırma delikleri
- ⑧ Alet bağlantı yeri

#### 3.2 Taşıma aracına genel bakış 2

- ① Tutamak
- ② Kavrama kelepçesi
- ③ Sarf malzemesi için tutucu (keski)
- ④ Tekerlekler
- ⑤ Tekerlek emniyeti (disk, kopilya)
- ⑥ Makine bağlantı mandreli

#### 3.3 Usulüne uygun kullanım

Tanımlanan ürün elle kumandalı bir keski tabancasıdır. Beton, duvar ve asfalt yüzeylerdeki keskilme işleri için tasarlanmıştır. Tokmıklama ve kazıma işleri için de kullanılabilir.

Çalışma sadece tip plakasında verilen şebeke gerilimi ve frekansta gerçekleştirilmelidir.

#### 3.4 Öngörülebilir hatalı kullanım

- Alet sadece kuru olan bir çevrede çalıştırılabilir.
- Yangın ve patlama tehlikesi olan yerlerde aleti kullanmayınız.
- Sağlığa zarar verebilecek malzemeler (örn. asbest) üzerinde çalışma yapılmamalıdır.

#### 3.5 Active Vibration Reduction

Üründe opsiyonel olarak titreşimleri önemli ölçüde azaltan Active Vibration Reduction (AVR) sistemi mevcuttur.

#### 3.6 Servis göstergesi

Keski tabancasında ışık sinyali bulunan bir servis göstergesi mevcuttur.

Durum	Anlamı
Servis göstergesi kırmızı yanıyor.	Servis ömrüne ulaşıldı. Her zaman çalışmaya hazır durumda tutulması için ürünü doğru zamanda <b>Hilti Service</b> 'ye getiriniz. Alette hasar.
Servis göstergesi kırmızı yanıp sönüyor.	Aşırı sıcaklık koruması Güç kaynağının gerilimi çok yüksek.




### 3.7 Teslimat kapsamı

Keski tabancası, geçmeli şebeke kablosu, kullanım kılavuzu, gres. Taşıma aracı aksesuar olarak kullanıma sunulur.

Ürünleriniz için izin verilen diğer sistem ürünlerini **Hilti Center** veya internetteki şu adreste bulabilirsiniz: [www.hilti.group](http://www.hilti.group)

## 4 Teknik veriler

### 4.1 Keski tabancası

 Nominal gerilim, nominal akım, frekans ve/veya nominal akım tüketimi değerlerini ülkenize özgü tip plakasında bulabilirsiniz.

Jeneratörlü veya transformatörlü bir işletim durumunda çıkış gücü, aletin tip plakasında belirtilen nominal akım tüketiminin en az iki katı büyüklüğünde olmalıdır. Transformatörün veya jeneratörün çalışma gerilimi her zaman alet nominal geriliminin %+5'i ile %-15'i arasında olmalıdır.

	TE 2000-AVR
Ürün nesli	01
EPTA prosedürü 01 uyarınca ağırlık	14,5 kg
Darbe sayısı	30 Hz
Koruma sınıfı	II



### 4.2 Ses bilgisi ve titreşim değerleri

Bu talimatlarda belirtilen ses basıncı ve titreşim değerleri, ilgili normlara uygun bir ölçüm metodu ile ölçülmüştür ve elektrikli el aletlerinin birbirleri ile karşılaştırılması için kullanılabilir. Zorlanmaların geçici olarak değerlendirilmesine de uygundur.

Belirtilen değerler, elektrikli el aletinin ana kullanım alanlarını temsil eder. Elektrikli el aletinin, farklı ek aletlerle veya yetersiz bakım yapılmış şekilde kullanılması durumunda, veriler sapma gösterebilir. Bu durum, toplam çalışma süresi boyunca zorlanmayı belirgin şekilde yükseltebilir.

Doğru bir zorlanma değerlendirmesi için elektrikli el aletinin kapatıldığı veya çalışır konumda olduğu ve ayrıca kullanımda olmadığı zamanlar da dikkate alınmalıdır. Bu durum, toplam çalışma süresi boyunca zorlanmayı belirgin şekilde azaltabilir.

Kullanıcıyı ses ve/veya titreşimin etkilerinden koruyacak ek güvenlik önlemleri belirleyiniz, örneğin: Elektrikli el aletinin ve ek aletlerin bakımının yapılması, ellerin sıcak tutulması, iş akışlarının düzenlenmesi.

 Burada uygulanan **EN 62841** standartlarının versiyonları hakkında ayrıntılı bilgi, uygunluk beyanının görüntüsünde  166 bulunabilir.

### Ses emisyonu değerleri

Ölçülen ses gücü seviyesi ( $L_{WA}$ )	96 dB(A)
Ses gücü seviyesi için emniyetsizlik ( $K_{WA}$ )	3 dB(A)
Emisyon ses basıncı seviyesi ( $L_{pA}$ )	88 dB(A)
Ses basıncı seviyesi için emniyetsizlik ( $K_{pA}$ )	3 dB(A)

### Titreşim değerleri

Keskileme ( $a_{h, Cheq}$ )	3,9 m/sn <sup>2</sup>
Emniyetsizlik (K)	1,5 m/sn <sup>2</sup>

## 5 Kullanım

### 5.1 Çalışma hazırlığı

#### DİKKAT

**Yaralanma tehlikesi!** Ürünün yanlışlıkla çalışmaya başlaması.

► Aletin ayarlarını yapmadan veya aksesuar parçalarını değiştirmeden önce şebeke fişini çekin.





Bu dokümanda ve ürün üzerinde bulunan güvenlik ve uyarı bilgilerine dikkat ediniz.

### 5.1.1 Şebeke kablosunun alete bağlanması 3



Sökülebilir soket bağlantısı sadece temiz, kuru ve gerilimsiz bir durumdayken ürüne bağlanabilir. Bağlantı kodlanmıştır.

1. Şebeke kablosunu taşıma kartonundan çıkarınız.
2. Soket bağlantısını, kilit duyulur şekilde yerine oturana kadar alete yerleştiriniz.
3. Şebeke fişini prize takınız.

### 5.1.2 Ek aletin yerleştirilmesi 4

1. Şebeke fişini prizden çekiniz.
2. Ek aletin giriş ucunu gresle hafifçe yağlayınız.
  - Sadece **Hilti** marka orijinal gres kullanınız. Yanlış bir gres tipi alette hasara neden olabilir.
3. Ek aleti alet bağlantı yerine takınız ve hafifçe bastırarak duyulur şekilde yerine oturana kadar döndürünüz.
4. Aleti çekerek güvenli kilitleme durumunu kontrol ediniz.

### 5.1.3 Ek aletin çıkarılması 5



#### DİKKAT

**Yaralanma tehlikesi!** Ek alet sıcak ve/veya keskin kenarlı olabilir.

- Ek aleti değiştirirken koruyucu eldiven takınız.
- Sıcak ek aleti asla yanıcı zeminlere bırakmayınız.

1. Şebeke fişini prizden çekiniz.
2. Alet kilidini dayanak noktasına kadar geri çekiniz.
3. Ek aleti çıkarınız.

## 5.2 Çalışma



#### İKAZ

**Elektrik çarpması tehlikesi!** Topraklama kablosunun ve kaçak akım koruma şalterinin olmaması, ciddi yaralanmalara ve yanıklara neden olabilir.

- İnşaat alanındaki elektrikli şebeke veya jeneratör hatlarında daima topraklama hattı ve kaçak akım koruma şalteri olduğundan ve bunların bağlı olduğundan emin olunuz.
- Bu güvenlik önlemleri olmadan hiçbir ürünü çalıştırmayınız.



#### İKAZ

**Hasarlı kablo nedeniyle tehlike!** Çalışma esnasında şebeke veya uzatma kablosu hasar görürse bu kabloya dokunmamalısınız. Şebeke fişi prizden çekilmelidir.

- Aletin bağlantı hatlarını düzenli olarak kontrol ediniz ve hasar durumunda bunu yetkili bir uzmana değiştiriniz.

İşleri tam kapsamlı olarak inşaat bölümüne onaylatınız!

### 5.2.1 Keskileme

1. Şebeke fişini prize takınız.
2. Keskiyi istediğiniz pozisyona ayarlayınız.
3. Açma/kapatma şalterine basınız.



Düşük sıcaklıklarda çalışma:

Darbe mekanizması çalışana kadar aletin minimum bir çalışma sıcaklığına ihtiyacı vardır. Buna erişmek için aleti kısa bir süre yere koyunuz ve boşta çalıştırınız. Gerekirse darbe mekanizması çalışana kadar bu işlemi tekrarlayınız.

### 5.2.2 Kapatılması

1. Açma/ kapatma şalterine basınız.



2. Şebeke fişini prizden çekiniz.

### 5.2.3 Çalışma uyarıları



Keski, 6 farklı konumda (60°'lik kademelerle) ayarlanabilir. Böylece yassı ve kalıp keski ile her zaman en uygun çalışma konumunda çalışılabilir.

- ▶ Keskiyi kenara yakl. 80-100 mm (3 1/8" - 4") mesafede konumlandırınız.
- ▶ Donatı demiri mevcutsa keskiyi her zaman malzeme kenarına karşı konumlandırınız, donatı demirine konumlandırmayınız.
- ▶ Beton üst yüzey için keskilme işlemine 70° - 80°'lik bir açıyla başlayınız ve ucu kenara doğru yönlendiriniz. Ardından açığı 90°'ye getiriniz ve malzemeyi kırınız.
- ▶ Keskiyi düzenli şekilde döndürünüz, bu sayede eşit dağılımlı aşınma etkisinin kendi kendini bileme prosesini desteklemesini sağlarsınız.
- ▶ Çok düşük baskı basıncı keskinin sıçramasına neden olur. Çok yüksek baskı basıncı keskilme gücünde azalmaya neden olur.

## 6 Taşıma aracı opsiyonu

### 6.1 Taşıma

Taşıma aracı, keski tabancasının tehlikesiz biçimde taşınmasını sağlar.

- Nakliye aracının sabit bir konumda kalmasını sağlayınız.
- Aleti kendisi için öngörülen makine bağlantı mandreline yerleştiriniz ve taşıma esnasında daima tutma kelepçesi ile emniyete alınız.
- Keskiyi, yerine oturana kadar öngörülen tutucuya yerleştiriniz.
- Güvenli taşıma yolları kullanmaya dikkat ediniz.
- Nakliye aracını eğimli yüzeyler üzerinde bırakmayınız.

## 7 Bakım ve onarım



### İKAZ

**Elektrik çarpması tehlikesi!** Şebeke fişi takılıyken yapılan bakım ve onarım çalışmaları ciddi yaralanmalara ve yanıklara neden olabilir.

- ▶ Tüm bakım ve onarım çalışmalarından önce her zaman şebeke fişi çekilmelidir!

### Bakım

- Yapışmış olan kir dikkatlice çıkarılmalıdır.
- Havalandırma deliklerini kuru bir fırça ile dikkatlice temizleyiniz.
- Gövde sadece hafif nemli bir bezle temizlenmelidir. Plastik parçalara yapışabileceğinden silikon içerikli bakım maddeleri kullanılmamalıdır.

### Bakım



### İKAZ

**Elektrik çarpması tehlikesi!** Elektrikli parçalarda usulüne uygun olmayan onarımlar ciddi yaralanmalara ve yanıklara neden olabilir.

- ▶ Elektrik parçalarındaki onarımlar sadece elektronik uzmanı tarafından yapılabilir.
- Görünür tüm parçalarda hasar olup olmadığı ve kumanda elemanlarının sorunsuz şekilde çalıştığı kontrol edilmelidir.
- Hasar ve/veya fonksiyon arızaları durumunda ürün çalıştırılmamalıdır. Derhal **Hilti** servisi tarafından onarılmalıdır.
- Bakım ve onarım çalışmalarından sonra tüm koruma tertibatları yerleştirilmeli ve fonksiyonları kontrol edilmelidir.



Güvenli çalışma için sadece orijinal yedek parçalar ve sarf malzemeleri kullanınız. Tarafımızdan onaylanmış, yedek parçaları, aksesuarları ve sarf malzemelerini **Hilti Store** veya şu adreste bulabilirsiniz: [www.hilti.group](http://www.hilti.group).



## 8 Arıza durumunda yardım

Bu tabloda listelenmemiş veya kendi başınıza gideremediğiniz arızalarda lütfen yetkili **Hilti** servisimiz ile irtibat kurunuz.

### 8.1 Arıza tablosu

Arıza	Olası sebepler	Çözüm
Alet çalışmıyor	Elektronik başlatılıyor (soket takıldıktan itibaren yaklaşık 4 saniye içinde)	▶ Alet kapatılıp tekrar açılmalıdır.
	Şebeke elektriği kesik	▶ Başka elektronik alet takip, fonksiyonu kontrol edilmelidir.
	Şebeke kablosu veya fiş arızalı	▶ Elektronik uzmanı tarafından kontrol edilmelidir ve gerekirse değiştirilmelidir.
	Uyku Mod'lu jeneratör	▶ Jeneratörü ikinci bir tüketici (örneğin şantiye lambası) ile yük altına alınız. Ardından aleti açıp kapatınız.
Darbe yok	Alet çok soğuk	▶ Aleti asgari çalışma sıcaklığına getiriniz.
	Alette hasar	▶ Alet <b>Hilti</b> Service tarafından onanmalıdır.
Alet çalışmıyor veya işletim sırasında kapanıyor ve göstergede kırmızı yanıp sönüyor	Geçici hata (örn. aşırı ısınma veya aşırı gerilim)	▶ Kapatınız, aleti soğuması için bırakınız veya aleti başka bir güç kaynağına bağlayınız.
Alet çalışıyor, fakat gösterge sürekli kırmızı yanıyor	Servis ön uyarısı	▶ Aletin servisi veya onarımı <b>Hilti</b> Service tarafından gerçekleştirilmelidir.
Alet çalışmıyor veya işletim sırasında kapanıyor	Uzatma kablosu çok uzun veya çok düşük kesitli	▶ Geçerli uzunluğa ve yeterli kesite sahip bir uzatma kablosu kullanınız.
	Geçmeli şebeke kablosu doğru takılmamış.	▶ Geçmeli şebeke kablosunu elektrikli el aletine doğru şekilde bağlayınız.

## 9 İmha

**Hilti** aletleri yüksek oranda geri dönüşümlü malzemelerden üretilmiştir. Geri dönüşüm için gerekli koşul, usulüne uygun malzeme ayrımıdır. Çoğu ülkede **Hilti**, eski aletlerini yeniden değerlendirilmek üzere geri alır. Bu konuda **Hilti** müşteri hizmetlerinden veya satış temsilcinizden bilgi alabilirsiniz.



- ▶ Elektrikli el aletlerini, elektronik cihazları ve aküleri evdeki çöplere atmayınız!

## 10 RoHS (Tehlikeli madde kullanımını kısıtlama direktifi)

Aşağıdaki linkte tehlikeli maddeler tablosunu bulabilirsiniz: [qr.hilti.com/r6025050](http://qr.hilti.com/r6025050).

RoHS tablosunun linkini bu dokümanın sonunda QR kodu olarak bulabilirsiniz.


## 11 Üretici garantisi

- ▶ Garanti koşullarına ilişkin sorularınız için lütfen yerel **Hilti** iş ortağınıza başvurunuz.



## 1 بيانات بخصوص دليل الاستعمال

## 1.1 خاص بدليل الاستعمال هذا

- **تحذير!** قبل أن تستخدم المنتج، تأكد أنك قد قرأت واستوعبت دليل الاستعمال المرفق مع المنتج، بما في ذلك الإرشادات وتعليمات السلامة والتحذير والصور والمواصفات. تعرف بصفة خاصة على جميع الإرشادات وتعليمات السلامة والتحذير والصور والمواصفات وكذلك المكونات والوظائف. في حالة عدم مراعاة ذلك، يكون هناك خطر حدوث صعق كهربائي أو نشوب حريق و/أو وقوع إصابات بالغة. احتفظ بدليل الاستعمال شاملاً جميع الإرشادات وتعليمات السلامة والتحذير للاستخدام اللاحق.
- منتجات **HILTI** مصممة للمستخدمين المحترفين ويقتصر استعمالها وصيانتها وإصلاحها على الأشخاص المعتمدين والمدربين جيداً. هؤلاء الأشخاص يجب أن يكونوا قد تلقوا تدريباً خاصاً على الأخطار الطارئة. قد يتسبب الجهاز وأدواته المساعدة في حدوث أخطار إذا تم التعامل معها بشكل غير سليم فنياً من قبل أشخاص غير مدربين أو تم استخدامها بشكل غير مطابق للتعليمات.
- دليل الاستعمال المرفق يتطابق مع الوضع الحالي للتقنية وقت الطباعة. يمكنك دائماً العثور على الإصدار أونلاين على صفحة المنتج Hilti. ولهذا الغرض، اتبع الرابط أو كود QR في دليل الاستعمال هذا والمميز بالرمز .
- لا يجوز تسليم المنتج إلى أي شخص إلا مع دليل الاستعمال هذا.

## 2.1 شرح العلامات

## 1.2.1 إرشادات تحذيرية

تنبه الإرشادات التحذيرية إلى الأخطار الناشئة عند التعامل مع الجهاز. يتم استخدام الكلمات الدليلية التالية:

**خطر** 

**خطر!**

◀ تشير لخطر مباشر يؤدي لإصابات جسدية خطيرة أو إلى الوفاة.

**تحذير** 

**تحذير!**

◀ تشير لخطر محتمل قد يؤدي لإصابات جسدية خطيرة أو إلى الوفاة.





**احترس!** 

**احترس!**

◀ تشير لموقف خطر محتمل يمكن أن يؤدي لإصابات جسدية أو أضرار مادية.

## 2.2.1 الرموز في دليل الاستعمال

يتم استخدام الرموز التالية في دليل الاستعمال هذا:

يُراعى دليل الاستعمال	
إرشادات الاستخدام ومعلومات أخرى مفيدة.	
التعامل مع مواد قابلة لإعادة التدوير	
لا تتخلص من الأجهزة الكهربائية البطاريات ضمن القمامة المنزلية	

## 3.2.1 الرموز في الصور

تستخدم الرموز التالية في الرسوم التوضيحية:

2 تشير هذه الأعداد إلى الصورة المعنية في بداية دليل الاستعمال هذا.



3	تشير الأرقام في الصور إلى خطوات العمل المهمة أو إلى الأجزاء المهمة لخطوات العمل. يتم إبراز هذه الخطوات أو الأجزاء في النص من خلال الأرقام، على سبيل المثال (3).
11	يتم استخدام أرقام المواضع في صورة العرض العام وهي تشير إلى أرقام تعليق الصورة في فصل عرض عام للمنتج.
	هذه العلامة من شأنها أن تُثير انتباهك جيدا عند التعامل مع المنتج.

3.1	الرموز المرتبطة بالمنتج
1.3.1	الرموز على المنتج
	يتم استخدام الرموز التالية على المنتج:
	فئة الحماية II (عزل مزدوج)
	مبين الخدمة

## 2 السلامة

### 1.2 إرشادات السلامة العامة المتعلقة بالأدوات الكهربائية

**⚠ تحذير احرص على قراءة جميع إرشادات السلامة، التوجيهات، الصور التوضيحية والمواصفات الفنية المرفقة مع هذه الأداة الكهربائية.** أي تقصير أو إهمال في الالتزام بالتعليمات التالية قد يتسبب في حدوث صعق كهربائي، نشوب حريق و/أو وقوع إصابات خطيرة.

**احتفظ بجميع مستندات إرشادات السلامة والتعليمات لاستخدامها عند الحاجة إليها فيما بعد.**

يقصد بمصطلح «الأداة الكهربائية» المذكور في إرشادات السلامة الأدوات الكهربائية المشغلة بالكهرباء (باستخدام كابل الكهرباء) أو الأدوات الكهربائية المشغلة بالبطاريات (بدون كابل الكهرباء).

#### سلامة مكان العمل

- حافظ على نطاق عملك نظيفا ومضاء بشكل جيد. الفوضى أو أماكن العمل غير المضاء يمكن أن تؤدي لوقوع حوادث.
- لا تعمل بالأداة الكهربائية في محيط معرض لخطر الانفجار يتواجد به سوائل أو غازات أو أنواع غبار قابلة للاشتعال. الأدوات الكهربائية تولد شررا يمكن أن يؤدي لإشعال الغبار والأبخرة.
- احرص على إبعاد الأطفال والأشخاص الآخرين أثناء استخدام الأداة الكهربائية. في حالة انصراف انتباهك قد تفقد السيطرة على الجهاز.

#### السلامة الكهربائية

- يجب أن يكون قابس توصيل الأداة الكهربائية متلائما مع المقبس. لا يجوز تعديل القابس بأي حال من الأحوال. لا تستخدم قوايس مهايأة مع أدوات كهربائية ذات وصلة أرضي محمية. القوايس غير المعدلة والمقابس الملائمة تقلل من خطر حدوث صدمة كهربائية.
- تجنب حدوث تلامس للجسم مع أسطح مؤرضة مثل الأسطح الخاصة بالمواسير وأجهزة التدفئة والمواقد والثلاجات. ينشأ خطر متزايد من حدوث صدمة كهربائية عندما يكون جسمك متصلا بالأرض.
- أبعد الأدوات الكهربائية عن الأمطار أو اللبل. تسرب الماء إلى داخل الأداة الكهربائية يزيد من خطر حدوث صدمة كهربائية.
- لا تستخدم كابل التوصيل لحمل الأداة الكهربائية أو تعليقها أو لسحب القابس من المقبس. احتفظ بكابل التوصيل بعيدا عن السخونة والزيوت والحواف الحادة والأجزاء المتحركة. كابلات التوصيل التالفة أو المتشابهة تزيد من خطر حدوث صعق كهربائي.
- عندما تعمل بأداة كهربائية في مكان مكشوف، فلا تستخدم سوى كبلات الإطالة المناسبة للعمل في النطاق الخارجي. استخدام كابل إطالة مناسب للعمل في النطاق الخارجي يقلل من خطر حدوث صعق كهربائي.
- إذا تعذر تجنب تشغيل الأداة الكهربائية في محيط رطب، فاستخدم مفتاح حماية من تسرب التيار. استخدام مفتاح الحماية من تسرب التيار يقلل خطر حدوث صدمة كهربائية.

#### سلامة الأشخاص

- كن يقظا وانتبه لما تفعل وتعامل مع الأداة الكهربائية بتعقل عند العمل بها. لا تستخدم الأداة الكهربائية عندما تكون متعبا أو تحت تأثير المخدرات أو الكحوليات أو العقاقير. فقد يتسبب عدم الانتباه للحظة واحدة أثناء الاستخدام في حدوث إصابات بالغة.



- ◀ ارتد تجهيزات وقاية شخصية وارتد دائماً نظارة واقية. ارتداء تجهيزات وقاية شخصية، مثل قناع الوقاية من الغبار وأحذية الأمان المضادة للانزلاق وخوذة الوقاية أو واقى السمع، تبعاً لنوع واستخدام الأداة الكهربائية، يقلل من خطر الإصابات.
- ◀ تجنب التشغيل بشكل غير مقصود. تأكد أن الأداة الكهربائية مطفأة قبل توصيلها بالكهرباء و/أو بالبطارية وقبل رفعها أو حملها. إذا كان إصبعك على المفتاح عند حمل الأداة الكهربائية أو كان الجهاز في وضع التشغيل عند التوصيل بالكهرباء، فقد يؤدي ذلك لوقوع حوادث.
- ◀ أبعد أدوات الضبط أو مفاتيح ربط البراغي قبل تشغيل الأداة الكهربائية. الأداة أو المفتاح المتواجد في جزء دوار من الجهاز يمكن أن يؤدي لحدوث إصابات.
- ◀ تجنب اتخاذ وضع غير طبيعي للجسم. احرص على أن تكون واقفاً بأمان وحافظ على توازنك في جميع الأوقات. من خلال ذلك تستطيع السيطرة على الأداة الكهربائية بشكل أفضل في المواقف المفاجئة.
- ◀ ارتد ملابس مناسبة. لا ترتد ملابس فضفاضة أو حلي. احرص على أن يكون الشعر والملابس والقفازات بعيدة عن الأجزاء المتحركة. الملابس الفضفاضة أو الحلي أو الشعر الطويل يمكن أن تشبك في الأجزاء المتحركة.
- ◀ إذا أمكن تركيب تجهيزات شطف وتجميع الغبار، فتأكد أنها موصلة ومستخدمة بشكل سليم. استخدام تجهيز شطف الغبار يمكن أن يقلل الأخطار الناتجة عن الغبار.
- ◀ لا تعتقد بأنك في مأمن عن الخطر ولا تتجاهل تشريعات السلامة المعنية للأدوات الكهربائية، حتى وإن كنت على دراية بالأداة الكهربائية بعد تكرار استخدامها. التعامل مع الجهاز بدون حذر قد يؤدي إلى وقوع إصابات بالغة في جزء من الثانية.

#### استخدام الأداة الكهربائية والتعامل معها

- ◀ لا تفرط في التحميل على الجهاز. استخدم الأداة الكهربائية المناسبة للعمل الذي تقوم به. استخدام الأداة الكهربائية المناسبة يتيح لك العمل بشكل أفضل وأكثر أماناً في نطاق العمل المقرر.
- ◀ لا تستخدم أداة كهربائية ذات مفتاح تالف. الأداة الكهربائية التي لم يعد يمكن تشغيلها أو إطفائها تمثل خطورة ويجب إصلاحها.
- ◀ اسحب القابس من المقبس و/أو اخلع البطارية القابلة للخلع من الجهاز قبل إجراء عمليات الضبط، أو استبدال أجزاء الملحقات أو عند ترك الجهاز. هذا الإجراء الوقائي يمنع بدء تشغيل الأداة الكهربائية دون قصد.
- ◀ احتفظ بالأدوات الكهربائية غير المستخدمة بعيداً عن متناول الأطفال. لا تسمح باستخدام الجهاز من قبل أشخاص ليسوا على دراية به أو لم يقرأوا هذه التعليمات. الأدوات الكهربائية خطيرة في حالة استخدامها من قبل أشخاص ليست لديهم الخبرة الواجبة.
- ◀ اعتني جيداً بالأدوات الكهربائية والملحقات. افحص الأجزاء المتحركة من حيث أداؤها لوظيفتها بدون مشاكل وعدم انحصارها وافحصها من حيث وجود أجزاء مكسورة أو متعرضة للضرر يمكن أن تؤثر سلباً على وظيفة الأداة الكهربائية. اعمل على إصلاح الأجزاء التالفة قبل استخدام الجهاز. الكثير من الحوادث مصدرها الأدوات الكهربائية التي تم صيانتها بشكل رديء.
- ◀ حافظ على أدوات القطع حادة ونظيفة. تتميز أدوات القطع ذات حواف القطع المادة المعتنى بها بدقة بأنها أقل عرضة للتعثُر وأسهل في التعامل.
- ◀ استخدم الأداة الكهربائية والملحقات وأدوات العمل وخلافه طبقاً لهذه التعليمات. احرص في هذه الأثناء على مراعاة اشتراطات العمل والمهمة المراد تنفيذها. استخدام الأدوات الكهربائية في تطبيقات غير تلك المقررة لها يمكن أن يؤدي لمواقف خطيرة.
- ◀ حافظ على المقابض ومواقع المسك في حالة جافة ونظيفة وخالية من الزيت والشحم. المقابض ومواقع المسك الانزلاقية تحول دون استعمال الأداة الكهربائية والتحكم بها بشكل آمن في المواقف غير المتوقعة.

#### الخدمة

- ◀ اعمل على إصلاح أدواتك الكهربائية على أيدي فنيين معتمدين فقط والالتصاعر على استخدام قطع الخيار الأصلية. وبذلك تتأكد أن سلامة الأداة الكهربائية تظل قائمة.

## 2.2 إرشادات السلامة الخاصة بالمطارق

### إرشادات السلامة لجميع الأعمال

- ◀ استخدم واقياً للسمع. لذا يرجى مراعاة أن الضجيج الصاخب يمكن أن يُفقد القدرة على السمع.
- ◀ استخدم المقابض الإضافية الموردة مع الجهاز. فقدان السيطرة يمكن أن يؤدي لوقوع إصابات.



- ◀ أمسك الجهاز من مواضع المسك المعزولة عند إجراء أعمال يحتمل فيها أن تتلامس أداة الشغل مع أسلاك كهربائية مخفية أو مع سلك الكهرباء للجهاز ذاته. حيث أن ملامسة سلك يسري فيه التيار الكهربائي يمكن أن ينقل الجهد الكهربائي للأجزاء المعدنية بالجهاز ويؤدي لحدوث صدمة كهربائية.

### 3.2 إرشادات السلامة الإضافية المتعلقة بالإزميل الدقاق

#### سلامة الأشخاص

- ◀ اقتصر على استخدام المنتج والملحقات وهم في حالة سليمة من الناحية الفنية.
- ◀ لا تقم أبداً بأية تدخلات أو تغييرات على المنتج أو الملحقات.
- ◀ يجب مراعاة الوقوف بشكل ثابت وأمن عند النقر بالإزميل في الأسقف والجدران والأرضيات. الاختراق المفاجئ يمكن أن يتسبب في إخلال توازنك!
- ◀ أثناء أعمال الثقب قم بتأمين النطاق الواقع على الجهة المقابلة للعمل. النشاط المتناثر يمكن أن تتطاير و/أو تسقط وتصيب الآخرين.
- ◀ احرص أنت والأشخاص المتواجدون بالقرب منها أثناء الاستخدام على ارتداء نظارة واقية ملائمة، خوذة حماية، واق للسمع، قفاز واق وكمامة خفيفة للتنفس.
- ◀ قم بارتداء قفازا واقيا أثناء تغيير الأدوات. ملامسة أداة الشغل قد تؤدي لوقوع إصابات بجروح قطعية وإصابة بحروق.
- ◀ استخدم واقياً للعينين. الشظايا المتطايرة يمكن أن تصيب الجسم والعينين.
- ◀ يمكن أن يحتوي الغبار الناتج عن التجليخ والسفرة والقطع والثقب على مواد كيميائية خطيرة. بعض الأمثلة: الرصاص أو الدهانات التي تحتوي على الرصاص، القرميد والخرسانة ومنتجات البناء الأخرى وأحجار البناء الطبيعية والمنتجات الأخرى المحتوية على السيليكات، بعض الأخشاب مثل البلوط والزان والأخشاب المعالجة كيميائياً، الأسبستوس أو الخامات المحتوية على الأسبستوس. قم بتحديد مدى تعرض المستخدم والأشخاص المحيطين لفئة خطر الخامات التي يجري العمل عليها. اتخذ التدابير اللازمة للحفاظ على مدى التعرض في مستوى آمن، على سبيل المثال، استخدام نظام تجميع الغبار أو ارتداء كمامة مناسبة للتنفس. تشمل التدابير العامة للحد من مدى التعرض ما يلي:

- ◀ العمل في نطاق جيد التهوية،
- ◀ تجنب ملامسة الغبار لفترة طويلة،
- ◀ إزالة الغبار عن الوجه والجسم،
- ◀ ارتداء بزة واقية وغسل المناطق المكشوفة بالماء والصابون.
- ◀ خذ قسطاً من الراحة بشكل متكرر و قم بتمارين استرخاء لسريان الدم في الأصابع بشكل أفضل. عند القيام بأعمال لفترات طويلة، فقد تحدث اضطرابات في الأوعية الدموية أو الجهاز العصبي بسبب كثرة الاهتزازات على الأصابع أو الأيدي أو معصم اليد.

#### السلامة الكهربائية

- ◀ قبل بدء الأعمال افحص نطاق العمل من حيث وجود توصيلات كهربائية مدفونة أو مواسير للغاز والماء. الأجزاء المعدنية الخارجية بالمنتج يمكن أن تتسبب في صدمة كهربائية أو انفجار، إذا قمت بإتلاف إحدى توصيلات التيار أو ماسورة الغاز أو الماء.

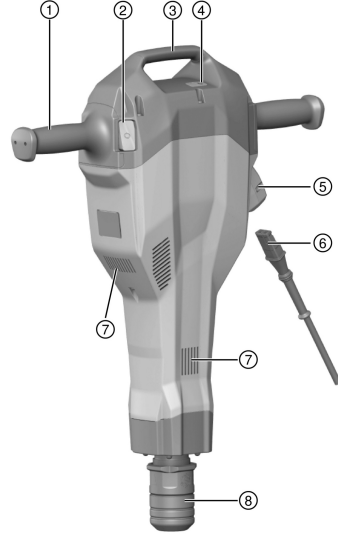
#### الاستخدام والتعامل بعناية مع الأدوات الكهربائية

- ◀ لا تقم بتشغيل المنتج حتى تقوم بنقله إلى وضع العمل.
- ◀ انتظر حتى يتوقف المنتج قبل تخزينه.



1.3 عرض عام للطراز TE 2000-AVR

- ① المقبض
- ② مفتاح التشغيل/الإيقاف
- ③ مقبض حمل
- ④ مبین الخدمة
- ⑤ قابس الكهرباء
- ⑥ كابل الكهرباء بقابس
- ⑦ فتحات التهوية
- ⑧ ظرف تركيب الأدوات



2.3 عرض عام للعربة الناقلة 2

- ① المقبض
- ② مشبك التثبيت
- ③ حامل لأدوات الشغل (الأزاميل)
- ④ العجلات
- ⑤ وسيلة تأمين العجلة (قرص، تيلة خابور)
- ⑥ طرف تركيب الماكينة

3.3 الاستخدام المطابق للتعليمات

المنتج المشروع عبارة عن إزميل دقاق يستعمل يدويا. وهو مخصص للنقر في الخرسانة والجدران والأسفلت. ويمكن استخدامه أيضاً للدك والنقب. يجب ألا يتم التشغيل إلا بالتردد والجهود الكهربائي المذكورين على لوحة الصنع.

4.3 الاستخدام الخاطئ المتوقع

- لا يجوز تشغيل الجهاز إلا في بيئة جافة.
- لا تستخدم الجهاز في مكان مُعرض لخطر المريق والانفجار.
- يحظر التعامل مع المواد الخطيرة على الصحة (مثل الأسبستوس).

5.3 Active Vibration Reduction

المنتج مجهو بنظام Active Vibration Reduction (AVR) والذي يقوم بخفض الاهتزازات بشكل ملحوظ.

6.3 مبین الخدمة

الإزميل الدقاق مجهز بمبین خدمة به إشارة ضوئية.

الحالة	الاستعمال
يضيء مبین الخدمة باللون الأحمر.	هذا يعني أنه حان موعد إجراء الخدمة. أحضر المنتج Hilti في الوقت المناسب، لكي يكون جهازك دائما جاهزا للعمل. وجود أضرار بالجهاز.





الحالة	الاستعمال
يومض مبین الخدمة باللون الأحمر.	الحماية من السخونة المفرطة الجهد الكهربائي بمصدر الإمداد بالجهد الكهربائي مرتفع للغاية.

### 7.3 مجموعة التجهيزات الموردة

الإزميل الدقاق، كابل كهرباء بقابس، دليل استعمال، شحم. تتوفر العربة الناقلة كملحق.  
تجد المزيد من منتجات النظام المسموح بها للجهاز لدى مركز Hilti الذي تتعامل معه أو على موقع الإنترنت:  
[www.hilti.group](http://www.hilti.group)

## 4 المواصفات الفنية

### 1.4 الإزميل الدقاق

**i** يرجى التعرف على الجهد الاسمي والتيار الاسمي والتردد و/أو الاستهلاك الاسمي من لوحة صنع الجهاز الخاصة بالبلد المعني.

في حالة التشغيل من مولد أو محمول، فإنه يجب ألا تقل قدرة الفرج الخاصة به عن ضعف قدرة الدخل الاسمية الواردة على لوحة صنع الجهاز. جهد تشغيل المحمول أو المولد يجب أن يكون دائما في نطاق +5 % و 15- % من الجهد الكهربائي الاسمي للجهاز.

TE 2000-AVR	جيل المنتج
01	
14.5 كجم	EPTA 01
30 هرتز	عدد الطرقات
II	فئة الحماية

### 2.4 معلومات الضوضاء وقيم الاهتزاز

تم قياس ضغط الصوت وقيم الاهتزاز الواردة في هذا الدليل طبقا لأحد معايير القياس المحددة ويمكن الاستعانة بها في إجراء مقارنة بين الأدوات الكهربائية مع بعضها البعض. وهي مناسبة أيضا لتقدير حجم المخاطر بصورة أولية.

المواصفات الواردة تتعلق بالاستخدامات الأساسية للأداة الكهربائية. أما إذا تم استخدام الأداة الكهربائية في تطبيقات أخرى مع أدوات شغل مخالفة للمواصفات أو دون صيانة كافية، ففي هذه الحالة قد تختلف المواصفات. وقد يزيد هذا من نسبة المخاطر طوال مدة العمل بصورة واضحة. وللحصول على تقدير دقيق لحجم المخاطر ينبغي أيضا مراعاة الأوقات التي يتم فيها إيقاف الجهاز أو التي يتم فيها تشغيل الجهاز ولكن دون استخدام حقيقي. وقد يقلل هذا من نسبة المخاطر طوال مدة العمل بصورة واضحة. احرص على اتخاذ إجراءات إضافية للسلامة من شأنها حماية المستخدم من تأثير الضجيج و/أو الاهتزازات مثل: صيانة الأداة الكهربائية وأدوات الشغل والمفاظ على الأيدي في حالة دافئة وتنظيم مراحل العمل.

**i** يمكن العثور على معلومات تفصيلية حول الإصدارات المستخدمة هنا وفقاً للمواصفات في الصورة EN 62841- الخاصة ببيان المطابقة 167.

### قيم الضجيج المنبعث

96 ديسيبل (A)	قياس مستوى شدة الصوت ( $L_{WA}$ )
3 ديسيبل (A)	نسبة التفاوت لمستوى شدة الصوت ( $K_{WA}$ )
88 ديسيبل (A)	مستوى ضغط الصوت المنبعث ( $L_{pA}$ )
3 ديسيبل (A)	نسبة التفاوت لمستوى ضغط الصوت ( $K_{pA}$ )

### قيم الاهتزاز

3.9 م/ثانية <sup>2</sup>	النقر بالإزميل ( $a_{h, Cheq}$ )
1.5 م/ثانية <sup>2</sup>	نسبة التفاوت (K)



## 1.5 التحضير للعمل

**⚠️ احترس:**

**خطر الإصابة!** تشغيل الجهاز بشكل غير مقصود.  
 ◀ اسحب القابس الكهربائي، قبل إجراء عمليات ضبط الجهاز أو تغيير أجزاء الملحقات.

تراجع إرشادات الأمان والإرشادات التحذيرية الواردة في هذا المستند وعلى الجهاز.

## 1.1.5 قم بتوصيل كابل الكهرباء بالجهاز

**i** عند توصيل الوصلة المقبسية القابلة للفك بالجهاز يراعى أن تكون دائماً نظيفة وجافة وغير مشدودة. الاتصال مشفر.

1. أخرج كابل الكهرباء من كرتونة النقل.
2. قم بإدخال الوصلة المقبسية في الجهاز، حتى يستقر عنصر التثبيت بصوت مسموع.
3. أدخل القابس الكهربائي في المقبس.

## 2.1.5 تركيب أداة الشغل

1. اسحب القابس الكهربائي من المقبس.
2. قم بتزليق طرف إدخال أداة الشغل قليلاً.  
 ▶ اقتصر على استخدام الشحم الأصلي من Hilti. قد يتسبب نوع الشحم غير الصحيح في الإضرار بالجهاز.
3. قم بتركيب أداة التقليل في ظرف تركيب الأدوات وأدره مع الضغط الخفيف عليه حتى يثبت في موضعه بصوت مسموع.
4. اختبر مدى إحكام القفل من خلال شد الأداة.

## 3.1.5 فك أداة الشغل

**⚠️ احترس:**

**خطر الإصابة!** قد تكون أداة الشغل ساخنة و/أو حادة الحواف.  
 ▶ ارتد قفازات واقية عند تغيير أداة الشغل.  
 ▶ لا تقم أبداً بوضع أداة الشغل الساخنة على أرضيات قابلة للاشتعال.

1. اسحب القابس الكهربائي من المقبس.
2. قم بإرجاع وسيلة تأمين الأداة حتى النهاية.
3. قم بفك أداة الشغل.

## 2.5 العمل

**⚠️ تحذير**

**خطر الصعق الكهربائي!** عدم وجود وصلات التأريض ومفاتيح الحماية من تسرب التيار يمكن أن يؤدي إلى وقوع إصابات وحروق بالغة.  
 ▶ تأكد دائماً أن وصلات التأريض ومفاتيح الحماية من تسرب التيار موجودة وموصلة بوصلة الإمداد بالتيار الكهربائي بموقع العمل، سواء كانت من شبكة الكهرباء أو من مولد كهربائي.  
 ▶ لا تقم بتشغيل الجهاز دون مراعاة تدابير السلامة هذه.

**⚠️ تحذير**

**خطر بسبب الكابلات التالفة!** في حالة تلف كابل الكهرباء أو كابل الإطالة أثناء العمل، فإنه لا يجوز لمس الكابل. اسحب القابس الكهربائي من المقبس.  
 ▶ افحص أسلاك توصيل الجهاز بشكل منتظم وعند تلفها اعمل على تغييرها بمعرفة فني معتمد.

يتعين الحصول على تصريح من إدارة المنشأة بإجراء الأعمال كاملة.



### 1.2.5 النقر بالإزميل

1. أدخل القابس الكهربائي في المقبس.
2. قم بتركيب الإزميل في الوضع المرغوب.
3. اضغط على مفتاح التشغيل/الإيقاف.

إجراء أعمال في درجات الحرارة المنخفضة:

يحتاج الجهاز للوصول إلى حد أدنى من درجة حرارة التشغيل حتى يعمل الطارق. للوصول إلى الحد الأدنى، ضع الجهاز على الأرضية لفترة قصيرة واجعله يعمل على الوضع المايد. عند اللزوم، كرر هذه العملية إلى أن يعمل الطارق.

### 2.2.5 الإيقاف

1. اضغط على مفتاح التشغيل/الإيقاف.
2. اسحب القابس الكهربائي من المقبس.

### 3.2.5 إرشادات العمل

يمكن ضبط الإزميل على 6 أوضاع مختلفة (في خطوات مقدار كل منها 60 درجة). وبذلك يمكن دائما العمل بالإزميل المفلطح وإزميل التشكيل في وضع العمل المثالي المناسب.

- ◀ ضع الإزميل على مسافة حوالي 80-100 مم (3¼-4 بوصة) من الحافة.
- ◀ في حالة أطراف قضبان حديد التسليح قم دائما بتوجيه الإزميل جهة حافة الحافة وليس جهة قضيب حديد التسليح.
- ◀ ابدأ عملية النقر بالإزميل بزاوية من 70° إلى 80° بالنسبة لسطح الفرسانة و قم بتوجيه سن الإزميل جهة الحافة. ثم حرك الزاوية في اتجاه 90° و قم بتكبير الحافة.
- ◀ أدر الإزميل بصورة منتظمة، نظرا لأن التآكل المتساوي يساعد في عملية الشد الذاتي.
- ◀ الضغط الضئيل للغاية يؤدي إلى حدوث قفزات للإزميل. الضغط الزائد للغاية يؤدي إلى تقليل قدرة الإزميل.

## 6 العربة الناقلة كتجيبز اختياري

### 1.6 النقل

- تضمن العربة الناقلة نقل الإزميل الدقاق بدون مخاطر.
- اعمل على توفير وضع مستقر للعربة الناقلة.
- ضع الجهاز على طرف تركيب الماكينة المخصص لذلك، واحرص دائما على تأمين الجهاز أثناء نقله بواسطة مشبك التثبيت.
- أدخل الإزميل في الحامل المخصص له حتى يثبت.
- تحقق من أمان طرق النقل.
- احرص ألا تتوقف العربة الناقلة على أسطح مائلة.

## 7 العناية والصيانة

### تحذير

- خطر بسبب حدوث صدمة كهربائية إجراء أعمال العناية والصيانة بينما القابس الكهربائي مركب قد يتسبب في إصابات بالغة والإصابة بحروق.
- احرص على سحب القابس الكهربائي قبل جميع أعمال الإصلاح والعناية!

### العناية

- قم بإزالة الاتساخ الملتصق بحرص.
- قم بتنظيف فتحات التهوية بحرص باستخدام فرشاة جافة.
- نظف جسم الجهاز باستخدام قطعة قماش مبللة بعض الشيء. لا تستخدم مواد عناية تحتوي على السيليكون لما قد تسبب فيه من الإضرار بالأجزاء البلاستيكية.



**خطر الصعق الكهربائي!** قد تؤدي أعمال الصيانة التي تتم على الأجزاء الكهربائية بشكل غير سليم إلى حدوث إصابات خطيرة وإصابة بصروق.

◀ لا يجوز إجراء إصلاحات على الأجزاء الكهربائية إلا من خلال متخصصين في الكهرباء.

- افحص جميع الأجزاء المرئية من حيث وجود أضرار وافحص عناصر الاستعمال من حيث كفاءتها الوظيفية.
- في حالة وجود أضرار و/أو اختلالات وظيفية لا تقم بتشغيل المنتج. احرص على الفور على إصلاحه لدى مركز خدمة Hilti.
- بعد أعمال العناية والإصلاح قم بتركيب جميع تجهيزات الحماية وافحصها من حيث الأداء الوظيفي.

للتنشغيل الآمن اقتصر على استخدام قطع الغيار الأصلية وخامات الشغل. تجد قطع الغيار وخامات الشغل والملحقات المصرح بها من قبلنا للمنتج الخاص بك في متجر **Hilti Store** أو على موقع الإنترنت: [www.hilti.group](http://www.hilti.group)

## 8 المساعدة في حالات الاختلالات

عند حدوث اختلالات غير مذكورة في الجدول أو يتعدى عليك معالجتها بنفسك، فيرجى التوجه إلى مركز خدمة Hilti.

### 1.8 جدول الاختلالات

الحل	السبب المحتمل	الخلل
◀ أطفئ الجهاز ثم قم بتشغيله مرة أخرى.	جاري تهيئة الوحدة الإلكترونية (لمدة تصل إلى 4 ثوان تقريباً بدءاً من إدخال القابس)	الجهاز لا يعمل
◀ أوصل جهازاً كهربائياً آخر واختبر الوظيفة.	انقطاع الإمداد بالتيار الكهربائي	
◀ افحصه على يد متخصص في الكهرباء وقم بتغييره إذا لزم الأمر.	تلف في كابل الكهرباء أو القابس	
◀ قم بتشغيل جهاز كهربائي آخر (مثل مصباح إضاءة موقع البناء) من المولد الكهربائي. بعد ذلك قم بتشغيل الجهاز وإيقافه مرة أخرى.	المولد مزود بخاصية السبات	
◀ اعمل على توفير أدنى درجة حرارة تشغيل.	الجهاز بارد للغاية	لا يتولد طرقة
◀ قم بإصلاح الجهاز لدى مركز خدمة Hilti.	وجود أضرار بالجهاز	
◀ أوقف الجهاز ودعه يبرد، أو قم بتوصيل الجهاز بمصدر آخر للإمداد بالجهود الكهربائي.	خطأ مؤقت (مثلاً من جراء السخونة المفرطة أو الجهد الزائد)	الجهاز لا يعمل أو يتوقف أثناء التشغيل والمبين يومض باللون الأحمر
◀ قم بتكليف خدمة Hilti بإجراء الخدمة أو الإصلاح.	التحذير الأولي للخدمة	الجهاز يعمل، ولكن المبين يضيء باللون الأحمر بشكل مستمر
◀ استخدم كابل إطالة ذا طول مسموح به وذا مقطع عرضي كافٍ.	كابل الإطالة طويل للغاية أو ذو مقطع عرضي ضئيل للغاية	الجهاز لا يعمل أو يتوقف أثناء التشغيل
◀ قم بتوصيل كابل الكهرباء القابل للإدخال بالجهاز الكهربائي بشكل صحيح.	لم يتم إدخال الكابل الكهربائي القابل للإدخال في الجهاز بشكل صحيح.	



♻️ أجهزة Hilti مصنوعة بنسبة كبيرة من مواد قابلة لإعادة التدوير. يشترط لإعادة التدوير أن يتم فصل الغامات بشكل سليم فنياً. في العديد من الدول تقوم شركة Hilti باستغلال الأجهزة القديمة لإعادة تدويرها. وللمعلومات حول ذلك اتصل بخدمة عملاء Hilti أو الموزع القريب منك.

⚡ لا تعلق الأدوات الكهربائية، الأجهزة الإلكترونية والبطاريات ضمن القمامة المنزلية!

## 10 مواصفة RoHS (مواصفة تقييد استخدام المواد الخطيرة)

تجد جدولاً بالمواد الخطرة تمت الرابط التالي: [qr.hilti.com/r6025050](http://qr.hilti.com/r6025050).  
تجد رابط خاص بجدول المواد التي تخص المواصفة RoHS في نهاية هذا المستند على هيئة كود QR.

## 11 ضمان الجهة الصانعة

⬅ في حالة وجود أية استفسارات بخصوص شروط الضمان، يرجى التوجه إلى وكيل Hilti المحلي التابع لك.



# オリジナル取扱説明書

## 1 取扱説明書について

### 1.1 本取扱説明書について

- **警告事項！** 本製品をご使用になる前に、同梱の取扱説明書と指示事項、安全上の注意、警告表示、図および製品仕様を読んで、その内容を理解を理解してください。特に、すべての指示事項、安全上の注意、警告表示、図、製品仕様、構成部品と機能に精通しているようにしてください。これを怠ると、感電、火災、および/または重傷事故の危険があります。後日確認できるように、取扱説明書とすべての指示事項、安全上の注意、警告表示を保管しておいてください。
- **HILTI** 製品はプロ仕様で製作されており、その使用、保守、修理を行うのは、認定を受けトレーニングされた人のみに限ります。これらの人は、遭遇し得る危険に関する情報を入手していなければなりません。製品およびアクセサリーの使用法を知らない者による誤使用、あるいは規定外の使用は危険です。
- 製品に同梱されている取扱説明書は、印刷の時点で最新の技術状況を反映しています。オンラインのHilTI製品ページで常に最新バージョンをご確認ください。これについては、本取扱説明書のリンク、またはQRコード(📄の記号)に従ってください。
- 他の人が使用する場合には、本製品とともにこの取扱説明書を一緒にお渡しください。

### 1.2 記号の説明

#### 1.2.1 警告表示

警告表示は製品の取扱いにおける危険について警告するものです。以下の注意喚起語が使用されています：

#### 危険

危険！

- ▶ この表記は、重傷あるいは死亡事故につながる危険性がある場合に注意を促すために使われます。

#### 警告

警告！

- ▶ この表記は、重傷あるいは死亡事故につながる可能性がある場合に注意を促すために使われます。





#### 注意

注意！

- ▶ この表記は、身体の負傷あるいは物財の損傷が発生する可能性がある場合に使われます。




#### 1.2.2 取扱説明書の記号

この取扱説明書では、以下の記号が使用されています：

	取扱説明書に注意してください
	本製品を効率良く取り扱うための注意事項や役に立つ情報
	リサイクル可能な部品の取扱い
	電動工具およびバッテリーを一般ゴミとして廃棄してはなりません

#### 1.2.3 図中の記号

図中では以下の記号が使用されています：

	この数字は本取扱説明書冒頭にある該当図を示しています。
	図中の付番は、重要な作業手順あるいは作業手順にとって重要なパーツであることを示していません。本文中ではこれらの作業手順またはパーツは、(3)のように当該の番号でハイライト表示されています。
	概要図には項目番号が付されていて、製品概要セクションの凡例の番号に対応しています。






この記号は、製品の取扱いの際に特に注意が必要なことを示しています。

### 1.3 製品により異なる記号

#### 1.3.1 製品に表示されている記号

製品には以下の記号が使用されています：

	電気絶縁保護クラス II (二重絶縁)
	サービスインジケータ

## 2 安全

### 2.1 電動工具の一般安全注意事項

**▲ 警告事項** 本電動工具に付属のすべての安全上の注意、指示事項、図、および製品仕様をお読みください。以下の指示を守らないと、感電、火災および / または重傷事故の危険があります。安全上の注意および指示事項が書かれた説明書はすべて大切に保管してください。安全上の注意で使用する用語「電動工具」とは、お手持ちの電動ツール(電源コード使用) またはバッテリーツール(コードレス) を指します。

#### 作業環境に関する安全

- ▶ 作業場はきれいに保ち、十分に明るくしてください。ちらかった暗い場所での作業は事故の原因となります。
- ▶ 爆発の危険性のある環境(可燃性液体、ガスおよび粉じんのある場所) では電動工具を使用しないでください。電動工具から火花が飛散し、粉じんや揮発性ガスに引火する恐れがあります。
- ▶ 電動工具の使用時、子供や無関係者を作業場へ近づけないでください。作業中に気がそらされると、本体のコントロールを失ってしまう恐れがあります。

#### 電気に関する安全注意事項

- ▶ 電動工具の接続プラグは電源コンセントにきちんと適合しなければなりません。プラグは絶対に変更しないでください。保護接地した電動工具と一緒にアダプタープラグを使用しないでください。オリジナルのプラグと適切なコンセントを使用することにより、感電の危険を小さくすることができます。
- ▶ バイブ、ラジエーター、電子レンジ、冷蔵庫などのアースされた面に体の一部が触れないようにしてください。体が触れると感電の危険が大きくなります。
- ▶ 電動工具を雨や湿気から保護してください。電動工具に水が浸入すると、感電の危険が大きくなります。
- ▶ 電動工具を持ち運んだり、吊り下げたり、コンセントからプラグを抜いたりするときは、必ず本体を持ち、電源コードを持って引く張ったりしないでください。電源コードを火気、オイル、鋭利な刃物、可動部等に触れる場所に置かないでください。電源コードが損傷したり絡まったりしていると、感電の危険が大きくなります。
- ▶ 屋外工事の場合には、必ず屋外専用の延長コードを使用してください。屋外専用の延長コードを使用すると、感電の危険が小さくなります。
- ▶ 湿った場所で電動工具を動作させる必要がある場合は、漏電遮断器を使用してください。漏電遮断器を使用すると、感電の危険が小さくなります。

#### 作業員に関する安全

- ▶ 電動工具を使用の際には、油断せずに十分注意し、常識をもった作業をおこなってください。疲れている場合、薬物、医薬品服用およびアルコール飲用による影響下にある場合には電動工具を使用しないでください。電動工具使用中の一瞬の不注意が重傷の原因となることがあります。
- ▶ 個人用保護具および保護メガネを常に着用してください。負傷の危険を低減するために、電動工具の使用状況に応じた粉じんマスク、耐滑性の安全靴、ヘルメット、耳栓などの個人用保護具を着用してください。
- ▶ 電動工具の意図しない始動を防止して下さい。電動工具を電源および / またはバッテリーに接続する前や本体を持ち上げたり運んだりする前に、本体がオフになっていることを必ず確認してください。オン / オフスイッチが入っている状態で電動工具のスイッチに指を掛けたまま運んだり、電源に接続したりすると、事故の原因となる恐れがあります。
- ▶ 電動工具のスイッチを入れる前に、必ず調節キーやレンチを取り外してください。調節キーやレンチが本体の回転部に装着されたままでは、けがの原因となる恐れがあります。
- ▶ 作業中は不安定な姿勢をとらないでください。足元を安定させ、常にバランスを保つようにしてください。これにより、万一電動工具が異常状況に陥った場合にも、適切な対応が可能となります。



- ▶ 作業に適した作業着を着用してください。だぶだぶの衣服や装身具を着用しないでください。髪、衣服、手袋を本体の可動部に近づけないでください。だぶだぶの衣服、装身具、長い髪が可動部に巻き込まれる恐れがあります。
- ▶ 吸じんシステムの接続が可能な場合には、これらのシステムが適切に接続、使用されていることを確認してください。吸じんシステムを利用することにより、粉じん公害を防げます。
- ▶ 電動工具の取扱いに熟練している場合にも、正しい安全対策を遵守し、電動工具に関する安全規則を無視しないでください。不注意な取扱いは、ほんの一瞬で重傷事故を招くことがあります。

#### 電動工具の使用および取扱い

- ▶ 無理のある使用を避けてください。作業用途に適した電動工具を使用してください。適切な電動工具の使用により、能率よく、スムーズかつ安全な作業が行えます。
- ▶ スイッチが故障している場合には、電動工具を使用しないでください。スイッチで始動および停止操作のできない電動工具は危険ですので、修理が必要です。
- ▶ 本体の設定やアクセサリーの交換を行う前や本体を保管する前には電源プラグをコンセントから抜き、および / または脱着式のバッテリーを取り外してください。この安全処置により、電動工具の意図しない始動を防止することができます。
- ▶ 電動工具をご使用にならない場合には、子供の手の届かない場所に保管してください。電動工具に関する知識のない方、本説明書をお読みでない方による本体のご使用は避けてください。未経験者による電動工具の使用は危険です。
- ▶ 電動工具とアクセサリーは慎重に手入れしてください。可動部分が引っ掛かりなく正常に作動しているか、電動工具の運転に影響を及ぼす各部分が破損・損傷していないかを確認してください。電動工具をご使用になる前に、損傷部分の修理を依頼してください。事故の多くは保守管理の不十分な電動工具の使用が原因となっています。
- ▶ 先端工具は鋭利で汚れない状態を保ってください。お手入れのゆきとどいた先端工具を使用すると、作業が簡単かつ、スムーズになります。
- ▶ 電動工具、アクセサリー、先端工具などは、それらの説明書に記載されている指示に従って使用してください。その際は、作業環境および用途についてご注意ください。指定された用途以外に電動工具を使用すると危険な状況をまねく恐れがあります。
- ▶ グリップとグリップ面は乾燥した清潔な状態に保ち、オイルやグリスの付着がないようにしてください。グリップやグリップ面が滑りやすい状態になっていると、予期していない状況が発生した際に電動工具を安全に使用 / 制御できません。

#### サービス

- ▶ 電動工具の修理は必ず認定サービスセンターにお申し付けください。また、必ず純正部品を使用してください。これにより電動工具の安全性が確実に維持されます。

## 2.2 ハンマーに関する安全上の注意

### すべての作業に関する安全上の注意

- ▶ 耳栓を着用してください。騒音により、聴覚に悪影響が出る恐れがあります。
- ▶ 本体には一緒に納品された補助ハンドルを使用してください。これ以外のハンドルを使用すると、コントロールを失ってけがをする恐れがあります。
- ▶ 隠れた電線や装置自体の電源コードに先端工具が接触する可能性のある作業を行う場合は、必ず本体の絶縁されたグリップを持ってください。通電しているケーブルと接触すると、本体の金属部分にも電圧がかかり、感電の危険があります。

## 2.3 電動ハツリ機のその他の安全上の注意

### 作業者に関する安全

- ▶ 本製品とアクセサリーは、必ず技術的に問題のない状態で使用してください。
- ▶ 本製品あるいはアクセサリーには、決して加工や改造を加えないでください。
- ▶ 天井、壁および床のハツリ作業の際には、足元がしっかりと安定していることを確認してください。足場が突然に壊れると、バランスを失う危険があります！
- ▶ 剥がし作業の場合には、作業側と反対の領域を保護してください。剥がれた部分が脱落、落下して他人を負傷させる危険があります。
- ▶ 使用中は、作業者および現場で直近に居合わせる人々は、適切な保護メガネ、保護ヘルメット、耳栓、保護手袋、および防じんマスクを着用しなければなりません。
- ▶ 先端工具の交換時には保護手袋を着用してください。先端工具に触れると、切創事故や火傷の原因となることがあります。
- ▶ アイシールドを着用してください。破片が身体の一部、眼などを傷つけることもあります。





- ▶ 研磨、紙やすり研磨、切断および穿孔の際に発生する粉じんは、化学物質を含んでいる場合があります。これには、鉛、あるいは鉛ベースの塗料、レンガ、コンクリートおよびその他の壁用資材、自然石およびその他の珪酸塩含有製品、樫、樺などの特定の木材、および化学処理の施された木材、アスベストあるいはアスベストが含まれる母材、などが考えられます。作業対象の資材の危険等級により、作業者および周囲の人員の曝露を確認してください。曝露を安全なレベルに維持するために、粉じん吸引システムの使用、あるいは適切な防じんマスクの着用などの必要な処置を取ってください。曝露の低減のための一般的な処置としては、以下のようなものがあります：
  - ▶ 十分に換気された領域での作業
  - ▶ 粉じんと長時間の接触の回避
  - ▶ 粉じんを顔や体から遠ざける
  - ▶ 保護服を着用し、水と石鹼で曝露領域を洗浄する
- ▶ 頻繁に休憩を取って、指を動かして血行を良くするように心がけてください。長時間作業の際には、強い振動により指、手あるいは手首の関節の血管あるいは神経系に障害が発生する可能性があります。

#### 電気に関する安全注意事項

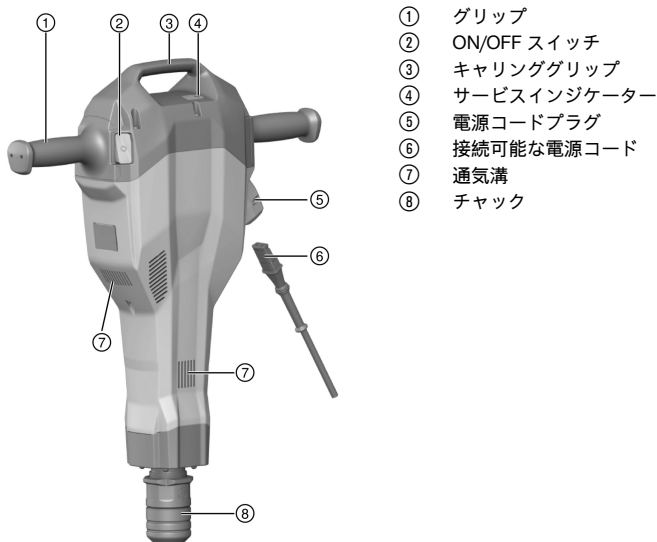
- ▶ 作業を開始する前に、作業領域に埋設された電線、ガス管や水道管がないかを調査してください。電線、ガス管あるいは水道管を損傷すると、本製品外側の金属部分での感電事故、あるいは爆発が発生する可能性があります。

#### 電動工具の慎重な取扱いおよび使用

- ▶ 本製品は、作業位置に運んでからスイッチを入れるようにしてください。
- ▶ 本製品は停止するまで置かないでください。

### 3 製品の説明

#### 3.1 TE 2000-AVR の概要 1



#### 3.2 搬送ワゴン概要 2

- |                 |                     |
|-----------------|---------------------|
| ① グリップ          | ④ 車輪                |
| ② 固定フレーム        | ⑤ 車輪ロック機構(ディスク、割ピン) |
| ③ 消耗品(チゼル)用ホルダー | ⑥ 工具位置決めピン          |

#### 3.3 正しい使用

本書で説明している製品は、手持ち式の電動ハツリ機です。本製品は、コンクリート、石材およびアスファルトへのハツリ作業用の工具です。締固め(タンピング)および溝掘りにも使用できます。必ず、銘板に表示されている電源電圧および電源周波数で動作させてください。



### 3.4 予想されるエラー

- 本体は乾燥環境でのみ使用してください。
- 火災や爆発の恐れがあるような状況では、本体を使用しないでください。
- 健康を損なう危険のある物質(アスベストなど)に使用してはなりません。

### 3.5 Active Vibration Reduction

本製品は、振動を大幅に低減させるActive Vibration Reduction (AVR) システムを装備しています。

### 3.6 サービスインジケータ

この電動ハツリ機は、サービスインジケータを装備しています。

状態	意味
サービスインジケータが赤色で点灯する。	作動時間がサービス期限に達している。常に使用可能な状態とするために、遅滞なくHilti サービスセンターに本製品のサービス作業を依頼してください。本体の損傷。
サービスインジケータが赤色で点滅する。	過熱保護機構 供給電源の電圧が高すぎる。

### 3.7 本体標準セット構成

電動ハツリ機、接続可能な電源コード、取扱説明書、グリス。搬送ワゴンはアクセサリとして提供されています。

その他の本製品用に許可されたシステム製品については、弊社営業担当またはHilti センターにお問い合わせいただくか、あるいは[www.hilti.group](http://www.hilti.group) でご確認ください。

## 4 製品仕様

### 4.1 電動ハツリ機

定格電圧、定格電流、周波数および / または定格電力については、国別の銘板でご確認ください。

発電機または変圧器を使用しての作業の場合は、それらは本体の銘板に記載されている定格電力より 2 倍以上大きな出力がなければなりません。変圧器または発電機の作動電圧は、常に本体の定格電圧の +5 %...-15 % の範囲になければなりません。

	TE 2000-AVR
製品世代	01
重量(EPTA プロシージャ 01 準拠)	14.5 kg
全負荷打撃数	30 Hz
保護等級	II

### 4.2 騒音および振動値について

本説明書に記載されているサウンドプレッシャー値および振動値は、規格に準拠した測定方法に基づいて測定したものです。電動工具を比較するのにご使用いただけます。曝露値の暫定的な予測にも適しています。記載されているデータは、電動工具の主要な使用方法に対する値です。電動工具を他の用途で使用したり、異なる先端工具を取り付けて使用したり、手入れや保守が十分でないまま使用した場合には、データが異なることがあります。このような相違により、作業時間全体で曝露値が著しく高くなる可能性があります。曝露値を正確に予測するためには、電動工具のスイッチをオフにしている時間や、電動工具が作動しているも実際には使用していない時間も考慮しなければなりません。このような相違により、作業時間全体で曝露値が著しく低くなる可能性があります。

作業者を騒音および / または振動による作用から保護するために、他にも安全対策を立ててください(例 : 電動工具および先端工具の手入れや保守、手を冷やさないようにする、作業手順の編成)。



**i** この点について適用されるEN 62841 規格のバージョンについての詳細情報は、適合宣言書の画像 168で確認してください。

### 騒音排出値

測定サウンドパワーレベル ( $L_{WA}$ )	96 dB(A)
サウンドパワーレベルの不確実性 ( $K_{WA}$ )	3 dB(A)
排出サウンドプレッシャーレベル ( $L_{pA}$ )	88 dB(A)
サウンドプレッシャーレベルの不確実性 ( $K_{pA}$ )	3 dB(A)

### 振動値

ハツリ作業 ( $a_{h, Cheq}$ )	3.9 m/s <sup>2</sup>
不確実性 (K)	1.5 m/s <sup>2</sup>

## 5 ご使用方法

### 5.1 作業準備

#### 注意

**負傷の危険！** 製品は意図せず動作することがあります。

- ▶ 本体の設定やアクセサリーの交換を行う前に電源プラグを抜いてください。

本書および製品に記載されている安全上の注意と警告表示に注意してください。

#### 5.1.1 電源コードを本体に接続する

**i** 脱着式プラグ接続は、必ず汚れがなく乾燥していて、通電のない状態で本製品に接続してください。接続はコーティングされています。

1. 電源コードを輸送用梱包から取り出します。
2. プラグ接続を、ロックする音が聞こえるまで本体内へとガイドします。
3. 電源プラグをコンセントに差し込みます。

#### 5.1.2 先端工具を装着する

1. 電源プラグをコンセントから抜きます。
2. 先端工具のコネクションエンドにグリスを軽く塗布します。
  - ▶ 必ず**Hilti**の純正グリスを使用してください。不適切なグリスを使用すると本体損傷の原因となることがあります。
3. 先端工具をチャックに挿入し、軽く押し付けながらカチッとかみ合う音がするまで回します。
4. 先端工具を引っ張り、しっかりと固定されているか確認します。

#### 5.1.3 先端工具を取り外す

#### 注意

**負傷の危険！** 先端工具は熱くなっていること、および / またはエッジが鋭くなっていることがあります。

- ▶ 先端工具を交換する際には保護手袋を着用してください。
- ▶ 熱くなっている先端工具は可燃物の上に置かないでください。

1. 電源プラグをコンセントから抜きます。
2. チャックロックスリーブをストップ位置まで戻します。
3. 先端工具を取り外します。



## 5.2 作業

### 警告

感電による危険！ アース線および漏電遮断器がないと、重傷事故および火傷の危険があります。

- ▶ 工事現場の電気供給配線には、電源からのものであるか発電機からのものであるかを問わず、必ずアース線と漏電遮断器が備わっていて、それらが接続されていることを確認してください。
- ▶ これらの安全対策を施さずに製品を動作させないでください。

### 警告

損傷したコードによる危険！ 作業中に電源コードまたは延長コードを損傷した場合は、コードに触れないでください。不意に始動しないように電源プラグをコンセントから抜きます。

- ▶ 本体の電源コードを定期的に点検し、コードに損傷がある場合は認定を受けた修理スペシャリストに交換させてください。

作業の全般について現場監督者の許可を得てください！

### 5.2.1 ハツリ作業

1. 電源プラグをコンセントに差し込みます。
2. チゼルを希望の位置にします。
3. ON/OFF スイッチを押します。



低温での作業：

打撃機構を作動させるためには、本体温度が最低運転温度に達している必要があります。この温度まで上げるには、本体を短時間母材に当てて本体をアイドル回転させます。必要であれば、打撃機構が始動するまでこの動作を繰り返します。

### 5.2.2 スイッチオフ

1. ON/OFF スイッチを押します。
2. 電源プラグをコンセントから抜きます。

### 5.2.3 作業に関する注意事項



チゼルは6つの異なる位置に(60° ステップで) 調整することができます。これによってコールドチゼルでもスケーリングチゼルでも、最適の角度で作業できます。

- ▶ チゼルを端部から約 80...100 mm (3<sup>1</sup>/<sub>8</sub>"...4") の位置に当てます。
- ▶ 鉄筋での作業の際は常にチゼルを母材の端に向かって移動させ、鉄筋の方向へは向けないでください。
- ▶ ハツリ作業を開始する場合は、本体をコンクリート表面から 70°...80° の角度に傾け、チゼル先端を母材の端に向けます。角度を 90° にして、母材を除去します。
- ▶ 摩耗部分を均一にして自己研磨を促すため、チゼルを定期的に回します。
- ▶ 押し付けが小さすぎると、チゼルが跳ね返ります。押し付けが大きすぎると、ハツリ能力が低下します。

## 6 搬送ワゴン(オプション)

### 6.1 搬送

搬送ワゴンにより、電動ハツリ機を確実に危険なく搬送することができます。

- 搬送ワゴンは安定した場所に置くよう、十分注意してください。
- 本体は工具位置決めピンに立てて、搬送中は必ず本体を固定フレームで固定してください。
- チゼルは専用のホルダーにロックするまで差し込んでください。
- 搬送経路の安全に注意してください。
- 搬送ワゴンは傾斜面に置かないでください。



## 7 手入れと保守

### 警告

感電による危険！ 電源プラグをコンセントに接続した状態で手入れや保守を行うと、重傷事故および火傷の危険があります。

- ▶ 手入れや保守作業の前に、必ず電源プラグをコンセントから抜いてください。

### 手入れ

- 強固に付着した汚れは慎重に除去してください。
- 通気溝を乾いたブラシで入念に清掃してください。
- ハウジングは必ず軽く湿らせた布で清掃してください。シリコンを含んだ清掃用具はプラスチック部品をいためる可能性があるので使用しないでください。

### 保守

### 警告

感電による危険！ 電気部品の誤った修理は、重傷事故および火傷の原因となることがあります。

- ▶ 電気部品の修理を行うことができるのは、訓練された修理スペシャリストだけです。
- 目視確認可能なすべての部品について損傷の有無を、操作エレメントについては問題なく機能することを定期的に点検してください。
- 損傷および / または機能に問題のある場合は、本製品を使用しないでください。直ちにHilti サービスセンターに修理を依頼してください。
- 手入れおよび保守作業の後には、すべての安全機構を取り付けて機能を点検してください。



安全な作動のために、必ず純正のスペアパーツと消耗品を使用してください。本製品向けに弊社が承認したスペアパーツ、消耗品およびアクセサリは、弊社営業担当またはHilti Storeにお問い合わせいただくか、あるいは[www.hilti.group](http://www.hilti.group)でご確認ください。

## 8 故障時のヒント

この表に記載されていない、あるいはご自身で解消することのできない故障が発生した場合には、弊社営業担当またはHilti サービスセンターにご連絡ください。

### 8.1 不具合リスト

故障	考えられる原因	解決策
本体が始動しない	電子回路の初期化を実行中(プラグ接続後約4秒まで)	▶ 本体をオフにして再びオンにする。
	主電源が供給されていない	▶ 別の電動工具をつなぎ、作動するか確認する。
	電源コードあるいはプラグの故障	▶ 修理スペシャリストに点検を依頼し、必要な場合には交換する。
打撃がない	発電機がスリープモード	▶ 発電機に別の電気負荷(ランプ等)をかける。続いて本体をオンにし、再びオフにする。
	本体温度が低すぎる	▶ 本体を最低運転温度まで暖める。
本体に損傷がある	本体に損傷がある	▶ Hilti サービスセンターに本体の修理を依頼する。
	一時的な症状(過熱あるいは過電圧など)	▶ スイッチをオフにして、本体を冷却させる、あるいは本体を他の供給電源に接続する。
本体が始動しない、あるいは操作中に本体の電源がオフになりインジケータが赤色で点滅する	サービス警告	▶ Hilti サービスセンターにサービスまたは修理を依頼する。
本体が始動しない、あるいは操作中に本体の電源がオフになる	延長コードが長すぎる、あるいは導體断面積が小さすぎる	▶ 許容された長さで十分な導體断面積を持つ延長コードを使用する。



故障	考えられる原因	解決策
本体が始動しない、あるいは操作中に本体の電源がオフになる	接続可能な電源コードが正しく接続されていない。	▶ 接続可能な電源コードを電動工具に正しく接続する。

## 9 廃棄

Hilti 製品の大部分の部品はリサイクル可能です。リサイクル前にそれぞれの部品は分別して回収されなければなりません。多くの国で Hilti は、古い電動工具をリサイクルのために回収しています。詳細については弊社営業担当または Hilti 代理店・販売店にお尋ねください。



▶ 電動工具、電子機器およびバッテリーを一般ゴミとして廃棄してはなりません！

## 10 RoHS (有害物質使用制限に関するガイドライン)

下記のリンクより、有害物質を記載した表を確認できます：qr.hilti.com/r6025050。

本書の最終ページに RoHS 表にリンクした QR コードがあります。

## 11 メーカー保証

▶ 保証条件に関するご質問は、最寄りの Hilti 代理店・販売店までお問い合わせください。

# 오리지널 사용 설명서

## 1 사용 설명서 관련 정보

### 1.1 본 사용 설명서에 관하여

- 경고! 제품을 사용하기 전에, 제품과 함께 제공되는 사용 설명서와 설명서에 제시된 지침, 안전상의 주의사항 및 경고사항, 그림 및 사양 등을 잘 읽고 이해해야 합니다. 특히 모든 지침, 안전상의 주의사항 및 경고사항, 그림, 사양과 구성 요소 및 기능을 숙지해야 합니다. 유의하지 않을 경우, 감전, 화재 발생 및/또는 중상을 입을 위험이 있습니다. 추후 사용 시에도 활용할 수 있도록 관련 지침, 안전상의 주의사항 및 경고사항이 포함된 사용 설명서를 잘 보관하십시오.
- 제품은 전문가용으로 설계되어 있으며, 해당 교육을 이수한 공인된 작업자를 통해서만 조작, 유지보수 및 수리 작업을 진행할 수 있습니다. 이 기술자는 발생할 수 있는 위험에 대해 특별 교육을 받은 상태여야 합니다. 교육을 받지 않은 사람이 제품을 부적절하게 취급하거나 규정에 맞지 않게 사용할 경우에는 기기와 그 보조기구에 의해 부상을 당할 위험이 있습니다.
- 함께 제공되는 사용 설명서는 인쇄 시점의 최신 기술 버전을 반영하여 작성됩니다. 최신 버전은 항상 Hilti 제품 사이트의 온라인 버전을 참조하십시오. 온라인 버전을 참고하고자 할 경우, 본 사용 설명서에 제시된 링크 혹은 기호로 표시된 QR 코드를 클릭하십시오.
- 제품을 다른 사람에게 양도할 때는 본 사용 설명서도 반드시 함께 남겨주십시오.

수입업체(상호)명: 힐티코리아(주)

A/S: 080-220-2000

### 1.2 기호 설명

#### 1.2.1 경고사항

본 제품을 다루면서 발생할 수 있는 위험에 대한 경고사항. 다음과 같은 시그널 워드가 사용됩니다.



**위험**

위험!

▶ 이 기호는 직접적인 위험을 표시합니다. 만약 지키지 않으면 심각한 부상을 당하거나 사망할 수도 있습니다.



### ⚠ 경고

경고!

- ▶ 이 기호는 잠재적인 위험을 표시합니다. 만약 지키지 않으면 심각한 부상을 당하거나 사망할 수도 있습니다.

### ⚠ 주의

주의!

- ▶ 이 기호는 잠재적인 위험 상황을 표시합니다. 만약 지키지 않으면 부상 또는 물적 손실을 입을 수 있습니다.

#### 1.2.2 사용 설명서에 사용된 기호

본 사용 설명서에서 사용되는 기호는 다음과 같습니다.

	사용 설명서에 유의하십시오
	적용 지침 및 기타 유용한 사용정보
	재사용이 가능한 자재 취급방법
	전기 기기 및 배터리를 일반 가정의 쓰레기처럼 폐기해서는 안 됨

#### 1.2.3 그림에 사용된 기호

다음과 같은 기호가 그림에 사용됩니다.

	이 숫자는 본 사용 설명서 첫 부분에 있는 해당 그림을 나타냅니다.
	그림에 매겨진 번호는 중요한 작업 순서 또는 작업 순서에 중요한 부품을 나타냅니다. 텍스트에 해당 작업 순서 또는 해당 번호가 매겨진 부품이 강조 표시됩니다(예: <b>(3)</b> ).
	항목 번호는 개요 그림에서 사용되며 제품 개요 단락에 나와 있는 기호 설명 번호를 나타냅니다.
	이 표시는 제품을 다룰 때, 특별히 주의할 사항을 나타냅니다.

### 1.3 제품 관련 기호

#### 1.3.1 제품에 사용된 기호

제품에 사용된 기호는 다음과 같습니다.

	보호 등급 II (이중 절연)
	서비스 표시기

## 2 안전

### 2.1 전동 공구에 대한 일반적인 안전상의 주의사항

**⚠ 경고** 해당 전동 공구와 함께 동봉된 모든 안전상의 주의 사항, 지침, 그림 및 기술자료를 숙지하십시오. 다음과 같은 지침 내용을 준수하지 않으면 전기 충격, 화재가 발생하거나 그리고/또는 중상을 입을 수 있습니다. 앞으로 모든 안전상의 주의사항과 지침을 보관하십시오.

안전상의 주의사항에서 사용되는 "전동 공구"라는 개념은 전원에 연결하여 사용하는 전동 공구(전원 케이블 있음) 또는 배터리를 사용하는 전동 공구(전원 케이블 없음)를 의미합니다.

#### 작업장 안전수칙

- ▶ 작업장을 항상 깨끗이 하고 조명이 잘 들도록 하십시오. 어수선한 작업환경 또는 어두운 작업장은 사고를 초래할 수 있습니다.
- ▶ 인화성 액체, 가스 또는 먼지가 있어 폭발 위험이 있는 환경에서는 전동 공구를 사용하지 마십시오. 전동 공구는 먼지나 증기를 점화시킬 수 있는 스파크를 일으킵니다.
- ▶ 전동 공구를 사용할 때, 어린이들이나 다른 사람들이 작업장에 접근하지 못하도록 하십시오. 다른 사람의 방해로 인해 기기를 통제하기 어렵습니다.



## 전기에 관한 안전수칙

- ▶ 전동 공구의 전원 플러그가 소켓에 잘 끼워져야 합니다. 플러그를 절대 변형시켜서는 안됩니다. 집지된 전동 공구와 함께 아답타 플러그를 사용하지 마십시오. 변형되지 않은 플러그와 적합한 소켓을 사용하면 감전의 위험을 줄일 수 있습니다.
- ▶ 파이프, 히터, 전기레인지, 냉장고와 같은 접지 표면에 신체 접촉을 피하십시오. 신체에 닿을 경우 감전될 위험이 높습니다.
- ▶ 전동 공구가 비에 맞지 않도록 하고 습한 장소에 두지 마십시오. 전동 공구에 물이 들어가면 감전될 위험이 높습니다.
- ▶ 전원 케이블만 잡고 전동 공구를 운반하거나 걸어 놓아서는 안되며, 소켓에서 전원 플러그를 빼낼 때 케이블만 잡은 채로 빼내지 마십시오. 전원 케이블이 열, 오일, 날카로운 모서리 또는 부품의 가동 부위에 접촉하지 않도록 주의하십시오. 손상되거나 서로 꼬인 전원 케이블은 감전 위험을 높입니다.
- ▶ 실외에서 전동 공구를 이용하여 작업할 때, 실외용으로 승인된 연장 케이블만 사용하십시오. 실외용 연장 케이블을 사용하면 감전의 위험을 줄여줍니다.
- ▶ 전동 공구를 습한 환경에서 사용하는 것을 피할 수 없을 경우, 누전 차단기를 사용하십시오. 누전 차단기를 사용하면 감전 위험을 줄일 수 있습니다.

## 사용자 안전수칙

- ▶ 신중하게 작업하십시오. 작업에 정신을 집중하고 전동 공구를 사용할 때 경솔하게 행동하지 마십시오. 피곤하거나 항정신성 약물, 술 또는 약을 복용시에는 전동 공구를 사용하지 마십시오. 전동 공구 사용 시에 유의하지 않을 경우 심각한 부상을 초래할 수 있습니다.
- ▶ 안전 장비를 갖추고 안전경을 착용하십시오. 전동 공구의 종류와 사용에 따라, 먼지 보호 마스크, 미끄럼 방지용 안전 신발, 안전모 또는 귀마개 등과 같은 안전한 보호장비를 착용하면 부상의 위험을 줄일 수 있습니다.
- ▶ 실수로 기기가 작동하지 않도록 주의하십시오. 전동 공구를 전원 그리고/또는 배터리에 연결하기 전, 보관 또는 운반 전에 전동 공구가 스위치 OFF 상태인지 확인하십시오. 전동 공구 운반 시 스위치에 손가락을 대거나 스위치가 켜진 상태에서 전원을 연결하면 사고를 유발할 수 있습니다.
- ▶ 전동 공구의 스위치를 켜기 전, 조절공구 또는 렌치를 제거하십시오. 기기 회전부에 남아있는 공구나 렌치로 인해 부상을 입을 수 있습니다.
- ▶ 작업 시 비정상적인 자세는 피하십시오. 안전한 작업자세가 되도록 하고, 항상 균형을 유지하십시오. 이렇게 하여 예기치 않은 상황에서도 전동 공구를 잘 제어할 수 있습니다.
- ▶ 적합한 작업복을 착용하십시오. 헐렁한 복장이나 장식품을 착용하지 마십시오. 작동하는 기기 가동 부위에 머리, 옷 그리고 장갑이 가까이 닿지 않도록 주의하십시오. 헐렁한 복장, 장식품 혹은 긴 머리가 가동 부위에 밀려 들어갈 수 있습니다.
- ▶ 먼지 제거장치나 수거장치를 설치할 수 있는 기기의 경우, 이 장치들이 연결되어 있는지 그리고 제대로 작동되는지를 확인하십시오. 먼지 포집장치 사용은 먼지로 인한 위험을 줄여줄 수 있습니다.
- ▶ 이 전동 공구를 여러번 사용해왔다고 해서 안전하다고 안심하지 말고 전동 공구에 해당되는 안전 규칙을 무시하지 마십시오. 부주의하게 행할 경우 아주 짧은 순간에 중상을 입을 수 있습니다.

## 전동 공구의 취급과 사용

- ▶ 기기에 과부하가 걸리지 않도록 하십시오. 귀하의 작업에 적합한 전동 공구를 사용하십시오. 적합한 전동 공구를 사용하면, 지정된 성능 한도 내에서 더 효율적으로 안전하게 작업할 수 있습니다.
- ▶ 스위치가 고장난 전동 공구는 사용하지 마십시오. 스위치가 작동되지 않는 전동 공구는 위험하므로, 반드시 수리를 해야 합니다.
- ▶ 기기 세팅을 실행, 액세서리를 교환 또는 기기를 보관하기 전에 컨택터를 전원소켓에서 그리고/또는 탈착식 배터리를 기기에서 빼놓으십시오. 이러한 조치는 실수로 전동 공구가 작동하지 않도록 방지합니다.
- ▶ 사용하지 않는 전동 공구는 어린이들의 손이 닿지 않는 곳에 보관하십시오. 기기 사용에 익숙하지 않거나 또는 이 안전수칙을 읽지 않은 사람이 기기를 사용해서는 안 됩니다. 비숙련자가 전동 공구를 사용하면 위험합니다.
- ▶ 전동 공구 및 액세서리를 유의해서 관리하십시오. 기기의 가동 부위가 완벽하게 작동하는지, 끼어 있지 않거나, 혹은 부품이 손상되거나 파손되어 있어 전동 공구의 기능을 저하시키지 않는지 점검하십시오. 기기 사용 전 손상된 부품을 수리하도록 하십시오. 제대로 관리되지 않은 전동 공구는 많은 사고를 유발합니다.
- ▶ 절단기기는 날카롭고 깨끗하게 관리하십시오. 날카로운 절단면이 있고 잘 관리된 절단기기는 끼이는 경우가 드물고 조절하기도 쉽습니다.
- ▶ 본 지침에 따라 전동 공구, 액세서리, 공구 비트 등을 사용하십시오. 이 때 작업 조건과 실시하려는 작업 내용을 고려하십시오. 원래 사용 분야가 아닌 다른 작업에 전동 공구를 사용할 경우, 위험한 상황을 초래할 수 있습니다.
- ▶ 손잡이 및 손잡이 표면은 건조하고 깨끗하게, 그리고 오일과 그리스가 묻어있지 않도록 해야 합니다. 미끄러운 손잡이 및 손잡이 표면은 예상치 못한 상황에서 전동 공구를 안전하게 조작하고 제어할 수 없습니다.





## 서비스

- ▶ 전동 공구는 반드시 자격을 갖춘 전문 기술자에 의해 그리고 순정 대체부품만 이용하여 수리해야 합니다. 이렇게 하여 전동 공구의 안전성을 계속해서 유지할 수 있습니다.

### 2.2 해머에 대한 안전상의 주의사항

#### 모든 작업에 대한 안전상의 주의사항

- ▶ 귀마개를 착용하십시오. 극심한 소음은 청각 상실을 유발할 수 있습니다.
- ▶ 기기와 함께 공급된 보조 손잡이를 사용하십시오. 기기를 제어하지 못하면 부상을 입을 수 있습니다.
- ▶ 공구 비트가 숨겨진 전선이나 기기 자체의 전원 케이블과 접촉할 수 있는 작업을 할 경우, 항상 기기의 절연된 손잡이 부분을 잡으십시오. 전류가 흐르는 전선과 접촉하면 전동공구의 금속 부위를 통해 감전이 될 수도 있습니다.

### 2.3 그외 브레이커에 관한 안전상의 주의사항

#### 사용자 안전수칙

- ▶ 기술적 하자가 없는 상태에서만 제품 및 액세서리를 사용하십시오.
- ▶ 어떠한 경우에도 제품 또는 액세서리를 변경하거나 개조하지 마십시오.
- ▶ 천장, 벽 및 바닥 치울링 작업 시 안전하고 단단한 상태인지 확인하십시오. 갑자기 파손이 발생하면 균형을 잃을 수 있습니다!
- ▶ 천공 작업 시, 작업할 부분의 반대편이 안전하도록 조치를 취하십시오. 발생하는 분쇄물이 빠져 나오거나 또는 떨어지면서 다른 사람이 부상을 입을 수 있습니다.
- ▶ 사용자와 그 주변에 있는 사람들은 기기를 사용하는 동안 반드시 적합한 보안경, 안전모, 귀마개 그리고 보호장갑을 착용해야 합니다.
- ▶ 공구 교체 시 보호장갑을 착용하십시오. 공구 비트에 닿으면 부상을 입거나 화상을 당할 수 있습니다.
- ▶ 보안경을 착용하십시오. 재료의 파편으로 인해 눈 등 신체에 부상을 입을 수 있습니다.
- ▶ 샌딩, 연마, 절단 및 드릴링 작업 시 발생하는 먼지에는 위험한 화학물질이 함유되어 있을 수 있습니다. 예를 들어 납 또는 납 계열의 페인트, 벽돌, 콘크리트 및 기타 조적 벽돌 제품, 자연석 및 기타 실리콘 함유 제품, 참나무, 너도밤나무 및 화학 처리된 목재 등과 같은 특정 목재, 석면 또는 석면이 함유된 자재 등이 있을 수 있습니다. 작업하는 자재의 위험 등급을 따라 조작자 및 주변에 있는 사람들의 노출 정도를 결정하십시오. 안전한 수준에서 노출이 이루어질 수 있도록 예를 들어 먼지 포집장치 사용 또는 적합한 보호 마스크 착용 등 필요한 조치를 취하십시오. 노출을 줄일 수 있는 일반적인 조치:
  - ▶ 환기가 잘 되는 곳에서 작업하기,
  - ▶ 장시간 먼지 접촉 피하기,
  - ▶ 얼굴 및 신체의 먼지를 다른 곳으로 털어내기,
  - ▶ 보호복장 착용 및 노출된 영역을 비누와 물로 세척하기.
- ▶ 손가락의 혈액순환이 잘 되도록 자주 휴식시간을 갖고, 휴식하는 동안 손가락 운동을 하십시오. 장시간 작업하면 강한 진동으로 인해 혈관 장애 또는 손가락, 손 및 손목의 신경 체계에 이상이 있을 수 있습니다.

#### 전기에 관한 안전수칙

- ▶ 작업을 시작하기 전에, 작업장에서 가려져 있거나 덮혀 있는 전기 배선, 가스 파이프 그리고 하수도관이 있는지를 점검하십시오. 전기 배선, 가스 파이프 또는 하수도관을 손상시킨 경우, 제품 바깥쪽에 있는 금속 부품에서 감전 또는 폭발을 유발할 수 있습니다.

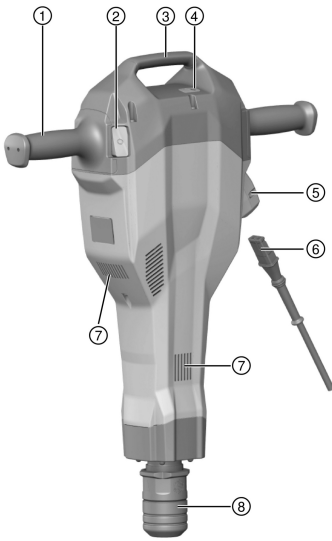
#### 전동 공구의 올바른 사용방법과 취급방법

- ▶ 제품을 작업 위치로 가져온 후에만 제품의 전원을 켜십시오.
- ▶ 제품을 내려놓기 전에 제품이 완전히 정지할 때까지 기다리십시오.



**3**    **제품 설명**

**3.1**    **TE 2000-AVR 개요 1**



- ① 손잡이
- ② ON/OFF 스위치
- ③ 운반용 손잡이
- ④ 서비스 표시기
- ⑤ 전원 케이블 플러그
- ⑥ 전원 케이블
- ⑦ 환기 슬롯
- ⑧ 척 아답타

**3.2**    **이동식 카트 개요 2**

- ① 손잡이
- ② 잠금 브래킷
- ③ 소모품용 홀더(치즐)
- ④ 휠
- ⑤ 휠 안전장치(와셔, 코터 핀)
- ⑥ 기기 맨드릴

**3.3**    **규정에 맞는 사용**

기술된 제품은 소형 브레이커입니다. 이 기기는 콘크리트, 조적벽돌 및 아스팔트의 치즐링 작업에 적합합니다. 파쇄 작업 및 새기는 작업을 위한 용도로도 사용 가능합니다. 형식 라벨에 제시되어 있는 정격 전압과 정격 주파수로만 기기를 작동시켜야 합니다.

**3.4**    **사용 시 주의사항**

- 기기는 건조한 환경에서만 다루어야 합니다.
- 화재위험 및 폭발위험이 있는 곳에서 기기를 사용하지 마십시오.
- 건강에 해로운 물질(예: 석면 등)을 가공해서는 안 됩니다.

**3.5**    **Active Vibration Reduction**

본 제품은 진동을 현저하게 줄여주는 Active Vibration Reduction (AVR) 시스템이 장착되어 있습니다.

**3.6**    **서비스 표시기**

브레이커에 램프 신호를 갖춘 서비스 표시기가 장착되어 있습니다.

상태	의미
서비스 표시기가 적색으로 점등됨.	서비스 받을 시점에 도달하였음. 항상 제품 작동이 가능하도록 제품을 적시에 <b>Hilti</b> 서비스 센터로 가지고 오십시오. 기기 손상.
서비스 표시기가 적색으로 깜박임.	과열방지장치 전원 전압이 너무 높음.



### 3.7 공급품목

브레이커, 전원 케이블, 사용 설명서, 그리스. 이동식 카트가 액세서리로 제공됩니다.

해당 제품에 허용되는 기타 시스템 제품은 Hilti 센터 또는 온라인 [www.hilti.group](http://www.hilti.group)에서 확인할 수 있습니다.

## 4 기술자료

### 4.1 브레이커



정격 전압, 정격 전류, 주파수 그리고/또는 정격 출력은 국가별 형식 라벨을 참조하십시오.

발전기 또는 변압기에서 작동할 경우, 발전기 및 변압기의 공급출력이 본 기기의 형식 라벨에 적힌 정격 출력보다 최소 두 배 이상 높아야 합니다. 변압기 및 발전기의 작동 전압은 항상 기기의 정격 전압의 +5 % ~ -15 % 사이에 위치해야 합니다.

	TE 2000-AVR
제품 세대	01
EPTA-Procedure 01에 따른 무게	14.5kg
타격 속도	30Hz
보호 등급	II

### 4.2 소음 정보 및 진동 값

이 지침에 제시된 음압 및 진동수준은 표준화된 측정방법에 따라 측정된 것이며, 전동 공구를 서로 비교하기 위한 용도로 사용할 수 있습니다. 음압 및 진동 수준은 노출 정도를 사전에 예측하는 데에도 유용하게 사용할 수 있도록 설계되어 있습니다.

제시된 데이터는 전동 공구의 주된 용도를 나타냅니다. 그러나 전동 공구를 다른 용도로 사용하거나 다른 공구 비트를 사용할 경우 또는 유지보수를 충분히 하지 않은 상태에서는 데이터에 편차가 있을 수 있습니다. 이러한 경우 전 작업시간에 걸쳐 노출이 현저하게 증가할 수 있습니다.

노출을 정확하게 평가하기 위해서는 전동 공구 작동이 멈춰 있거나 또는 작동 중이지만 실제로는 사용하지 않는 시간도 고려해야 합니다. 이러한 경우 전 작업시간에 걸쳐 노출이 현저하게 감소할 수 있습니다.

사용자를 보호하기 위해 음파 그리고/또는 진동이 작용하기 전에 다음과 같은 추가적인 안전 조치를 취하십시오. 전동 공구와 공구 비트의 유지보수, 손을 따뜻하게 유지, 작업순서 정하기 등.



여기에 적용된 EN 62841 규정의 버전에 관한 세부 정보는 적합성 선언 이미지 168에서 확인할 수 있습니다.

#### 소음 배출값

측정된 소음 수준 ( $L_{WA}$ )	96dB(A)
소음 수준 허용공차 ( $K_{WA}$ )	3dB(A)
음압 방출 수준 ( $L_{pA}$ )	88dB(A)
음압 수준 허용공차 ( $K_{pA}$ )	3dB(A)

#### 진동값

치율링 ( $a_{h, Cheq}$ )	3.9m/s <sup>2</sup>
허용공차 (K)	1.5m/s <sup>2</sup>

## 5 조작

### 5.1 작업 준비



#### 주의

부상위험! 제품의 돌발적인 시동.

▶ 기기 설정 또는 액세서리를 교체하기 전에 전원 플러그를 당기십시오.

본 문서 및 제품에 나와 있는 안전 지침 및 경고 지침에 유의하십시오.



### 5.1.1 전원 케이블을 기기에 연결하기



분리식 플러그 컨넥터는 깨끗하고 건조하며 전압이 흐르지 않는 상태에서만 제품과 연결되어야 합니다. 지정된 컨넥터로 연결합니다.

1. 이동식 카트에서 전원 케이블을 꺼내십시오.
2. 플러그 컨넥터를 맞물려 잠기는 소리가 들릴 때까지 기기에 끼우십시오.
3. 전원 플러그를 소켓에 끼우십시오.

### 5.1.2 공구 비트 삽입

1. 전원 플러그를 소켓에서 빼내십시오.
2. 드릴 생크식 기기 비트를 가볍게 기름칠하십시오
  - ▶ Hilti의 순정 그리스만 사용하십시오. 적합하지 않은 그리스를 사용하면 제품이 손상될 수 있습니다.
3. 공구 비트를 척 아답타에 끼운 다음, 잠기는 소리가 날 때까지 공구 비트를 가볍게 누르면서 돌리십시오.
4. 치줄을 잡아 당겨서 치줄이 정확하게 잠겼는지 점검하십시오.

### 5.1.3 공구 비트 분리

#### 주의

부상위험! 공구 비트가 뜨겁거나 그리고/또는 모서리가 날카로울 수 있습니다.

- ▶ 공구 비트 교체 시 보호장갑을 착용하십시오.
- ▶ 절대 뜨거운 공구 비트를 인화성 플레이트에 놓지 마십시오.

1. 전원 플러그를 소켓에서 빼내십시오.
2. 공구 잠금장치를 스톱 위치까지 뒤로 당기십시오.
3. 공구 비트를 빼내십시오.

## 5.2 작업

#### 경고

감전으로 인한 위험! 접지 도체 및 누전 차단기의 부재는 중상 및 화재를 유발할 수 있습니다.

- ▶ 공사현장의 전원 또는 발전기 전기 공급선에 접지 도체와 누전 차단기가 설치되어 있는지 그리고 연결되어 있는지 점검하십시오.
- ▶ 본 안전 지침 없이는 어떤 제품도 작동시키지 마십시오.

#### 경고

손상된 케이블로 인한 위험! 작업하는 동안 전원 케이블이나 연장 케이블이 손상되었을 경우에는 절대로 케이블을 만지지 마십시오. 전원 플러그를 소켓에서 빼내십시오.

- ▶ 기기의 연결 케이블을 정기적으로 점검하고, 손상이 있을 경우 자격을 갖춘 전문가가 교환하도록 하십시오.

건축 감독 또는 현장 엔지니어로부터 작업 승인을 완전히 받아야 합니다.

### 5.2.1 치줄링 작업

1. 전원 플러그를 소켓에 끼우십시오.
2. 치줄을 원하는 위치에 대십시오.
3. ON/OFF 스위치를 누르십시오.



저온에서 작업할 경우:

기기는 타격기구가 작동할 수 있을 정도까지의 최소 작동온도를 필요로 합니다. 최소 작동온도에 도달하기 위해서는, 기기를 잠시 땅바닥 위에 설치하고 공회전 속도로 작동시키십시오. 필요할 경우 타격기구가 작동할 때까지 이 과정을 반복하십시오.

### 5.2.2 스위치 끄기

1. ON/OFF 스위치를 누르십시오.
2. 전원 플러그를 소켓에서 빼내십시오.



### 5.2.3 작업 지침 5



치출 각도를 (60° 단계로) 6가지의 다양한 위치에 둘 수 있습니다. 이를 통해 평치줄과 성형 치줄을 항상 최적의 작업위치에서 작동시킬 수 있습니다.

- ▶ 치줄을 모서리에서 약 80-100 mm (3¼" - 4") 떨어진 거리에 두십시오.
- ▶ 보강철근의 경우 치줄은 항상 보강철근 쪽이 아닌, 자재의 모서리 쪽을 향하도록 하십시오.
- ▶ 콘크리트 표면에 70° ~ 80°의 각도를 유지하여 치줄 작업을 시작하고, 끝이 모서리 쪽을 향하도록 하십시오. 그리고 나서 90° 각도로 옮긴 후 자재를 파쇄하십시오.
- ▶ 균등하게 마모되어야 날카롭게 유지되므로, 치줄을 정기적으로 회전시켜주는 것이 좋습니다.
- ▶ 압착력이 너무 낮으면 치줄이 튀어오릅니다. 압착력이 너무 높으면 치줄 출력이 떨어집니다.

## 6 이동식 카트 옵션

### 6.1 운반

이동식 카트를 이용하면 브레이커의 안전한 운반이 보장됩니다.

- 이동식 카트가 안정된 상태에 있도록 하십시오.
- 기기를 규정한 기기 맨드릴에 놓고 운반 중에는 고정 브래킷으로 고정하십시오.
- 치줄을 규정한 홀더에 맞물려 고정될 때까지 밀어 넣으십시오.
- 이송 경로에 문제점이 없는지 유의하십시오.
- 이동식 카트를 경사면에 놓지 마십시오.

## 7 관리 및 유지보수

### 경고

감전 위험! 전원 플러그가 삽입된 상태에서 관리 및 수리 작업을 진행하면 중상 및 화상을 입을 수 있습니다.

- ▶ 관리 및 수리 작업을 진행하기 전에 항상 전원 플러그를 분리하십시오!

### 관리

- 공구에 부착된 오염물질을 조심스럽게 제거하십시오.
- 마른 솔로 환기 홀을 조심스럽게 청소하십시오.
- 하우징은 약간 물을 적신 천으로만 닦으십시오. 플라스틱 부품을 손상시킬 수 있으므로 절대로 실리콘이 함유된 보호제를 사용하지 마십시오.

### 유지보수

### 경고

감전으로 인한 위험! 전기 구성부품에서 부적절하게 수리하면 중상을 입거나 화재를 야기할 수 있습니다.

- ▶ 전기 부품은 반드시 전기 기술자가 수리하도록 해야 합니다.

- 눈에 보이는 모든 부품은 정기적으로 손상 여부를 점검하고 조작 요소가 아무 문제없이 작동하는지 점검하십시오.
- 손상되었거나 기능 장애가 있는 경우에는 제품을 작동하지 마십시오. 바로 Hilti 서비스 센터에서 수리받으십시오.
- 관리 및 수리 작업 후 모든 보호장치를 가져와 기능을 점검하십시오.



안전한 사용을 위해서 순정 예비 부품 및 소모품만을 사용하십시오. 해당 제품에 허용되는 예비 부품, 소모품 및 액세서리는 Hilti Store 또는 [www.hilti.group](http://www.hilti.group)에서 확인할 수 있습니다.

## 8 문제 발생 시 도움말

본 도표에 제시되어 있지 않거나 스스로 해결할 수 없는 문제가 발생한 경우 Hilti 서비스 센터에 문의해 주십시오.



## 8.1 고장 목록

장애	예상되는 원인	해결책
기기가 작동하지 않음	전자 장치가 초기화됨(전원 공급장치 연결 후 약 4초 이내에)	▶ 기기를 껐다가 다시 켜십시오.
	전원이 공급되지 않음	▶ 다른 전동 공구를 꺼우고, 기기를 점검하십시오.
	전원 케이블 또는 플러그 고장	▶ 전기 기술자가 점검하도록 하고, 필요 시 교환하십시오.
	발전기가 수면 모드에 있음	▶ 발전기를 보조 전력 기기에 연결하십시오(예: 공사현장 전등). 그리고 나서 기기를 껐다가 다시 켜십시오.
타격이 되지 않음	기기가 너무 차가움	▶ 기기를 최소 작동온도로 맞추십시오.
	공구 손상	▶ Hilti 서비스 센터에서 기기를 수리 받으십시오.
기기가 작동하지 않거나 작동 중에 멈추고 표시기가 적색으로 깜박임	일시적 오류(예: 과열 또는 과전압)	▶ 기기의 전원을 꺼서 기기를 냉각시키거나 다른 전원 공급장치에 연결하십시오.
기기는 작동하지만, 표시기가 계속해서 적색으로 점등됨	정비 사전 경고	▶ Hilti 서비스 센터를 통해 서비스 또는 수리를 받으십시오.
기기가 작동하지 않거나 작동 중에 멈춤	연장 케이블이 너무 김 또는 심선 단면적이 너무 작음	▶ 심선의 단면적이 충분히 큰, 허용된 길이의 연장 케이블을 사용하십시오.
	전원 케이블이 제대로 끼워지지 않음	▶ 전동공구에 전원 케이블을 제대로 연결하십시오.

## 9 폐기

Hilti 기기는 대부분 재사용이 가능한 소재로 제작되었습니다. 재활용을 위해 개별 부품을 분리하여 주십시오. Hilti는 대부분의 국가에서 재활용을 위해 노후기기를 수거해 갑니다. Hilti 고객 서비스센터 또는 판매 상담자에게 문의하십시오.



- ▶ 전동 공구, 전자식 기기 및 배터리를 일반 가정 쓰레기로 폐기하지 마십시오!

## 10 RoHS (유해물질 사용 제한 지침)

아래 링크에서 유해물질에 관한 도표를 확인할 수 있습니다. [qr.hilti.com/r6025050](http://qr.hilti.com/r6025050). RoHS 도표로 이어지는 링크는 본 문서 끝에 QR 코드 형식으로 제시되어 있습니다.

## 11 제조회사 보증

- ▶ 보증 조건에 관한 질문사항은 현지 Hilti 파트너사에 문의하십시오.

# 原始操作說明

## 1 關於操作說明的資訊

### 1.1 關於本操作說明

- 注意！在使用本產品之前，請確保您已閱讀並瞭解產品隨附的操作說明書，包括說明、安全性和警示注意事項、圖解和規格。尤其是熟悉所有說明、安全性和警示注意事項、圖解、規格、組件和功能。若未遵守，可能會導致觸電、火災和/或嚴重傷害的風險。妥善保存操作說明書，包括所有說明、安全性和警示注意事項，以備日後使用。



- 產品是針對專業使用者設計，故僅經訓練、認可的人員可操作、維修與維護本產品。必須告知上述人員關於可能遭遇到的特殊危險。若因未經訓練人員操作錯誤或未依照其原本的用途操作，則本產品和它的輔助工具設備有可能會發生危險。
- 隨附的操作說明書符合印刷時的最新技術水準。您隨時可在Hilti產品頁面上尋找最新版本。為此，請點選操作說明書中標示符號的連結或QR碼。
- 將產品交予他人時，必須連同本操作說明書一併轉交。

僅適用於台灣

進口商: 喜利得股份有限公司

地址: 新北市板橋區

新站路16號24樓22041

電話: 0800-221-036

## 1.2 已使用的符號解釋

### 1.2.1 警告

警告您在操作或使用本產品時可能發生之危險。採用了以下標示文字：



**危險**

危險！

- ▶ 此標語警示會發生對人造成嚴重傷害甚至致死的危險情形。



**警告**

警告！

- ▶ 此標語警示會造成嚴重傷害甚至致死危險的潛在威脅。



**注意**

注意！

- ▶ 請小心會造成人員受傷或對設備及其他財產造成損害的潛在危險情況。

### 1.2.2 操作說明中的符號

本操作說明中採用以下符號：

	請遵照操作說明
	使用說明與其他資訊
	處理可回收的材料
	不可將電子設備與電池當作家庭廢棄物處置

### 1.2.3 圖解中的符號

圖解中採用了以下符號：

	號碼對應操作說明的開始處的圖解。
	圖解中的編號表示重要的工作步驟或對工作步驟重要的元件。在文字中，這些工作步驟或元件以對應的數字明顯顯示，例如 <b>(3)</b> 。
	概覽圖解中使用位置編號，方便您對應到產品概覽段落中的圖例編號。
	本符號是為了讓您在操作本產品時可以注意某些重點。

## 1.3 產品專屬符號

### 1.3.1 產品上的符號

產品上採用下列符號：



	防護等級II (雙重絕緣)
	維修指示燈

## 2 安全性

### 2.1 一般電動機具安全警告

**⚠ 警告** 請詳閱本電動機具提供的所有安全警告、指示、圖解和說明。未能遵守以下所有指示可能會造成電擊事故、火災和 / 或嚴重的傷害。

妥善保存所有警告及說明，以供將來參考。

注意事項中的「機具」係指使用電源（有線）或電池（無線）的電動機具。

#### 工作區域安全

- ▶ 請保持工作區的清潔與採光充足。雜亂而昏暗的工作區會導致意外發生。
- ▶ 勿在容易發生爆炸的環境中使用機具，例如有可燃性液體、瓦斯或粉塵存在的環境。機具產生的火花可能會引燃塵埃或煙霧。
- ▶ 操作機具時，請與兒童及旁人保持距離。注意力不集中時容易發生失控的情形。

#### 電力安全

- ▶ 機具插頭與插座須能互相搭配。勿以任何方式改裝插頭。勿將任何變壓器插頭與與地面接觸（接地）的電動機具搭配使用。未經改裝的插頭以及能互相搭配的插座可減少發生電擊的危險。
- ▶ 避免讓身體接觸到如管線、散熱器、爐灶與冰箱等與土地或地表接觸之物品。如果您的身體接觸到地表或地面，將增加電擊的危險。
- ▶ 請勿將機具暴露在下雨或潮濕的環境中。若水氣進入機具中將增加觸電的危險。
- ▶ 勿濫用電纜線。勿以電纜線吊掛、拖拉機具或拔下機具插頭。電纜線應避開熱氣、油、銳利的邊緣或移動性零件。電纜線損壞或纏繞會增加發生電擊事故的危險。
- ▶ 於室外操作機具時，須使用適用於戶外的延長線。使用適合戶外使用的延長線可降低觸電的風險。
- ▶ 如果無法避免在潮濕的地點操作機具，請使用漏電斷路器（RCD）保護電源供應器。使用漏電斷路器（RCD）可降低電擊的風險。

#### 人員安全

- ▶ 操作機具時，請提高警覺，注意進行中的工作並善用常識。感到疲勞或受到藥物、酒精或治療的影響時勿使用機具。操作機具時稍不留神就可能造成嚴重的人員傷亡。
- ▶ 穿戴個人防護裝備。請隨時穿戴眼罩。適當使用防塵面罩、防滑鞋、安全帽及耳罩等安全防護配備可減少人員的傷害。
- ▶ 避免不經意的啟動。在接上電源或電池組、抬起或攜帶機具之前，務必確認開關處於關閉的位置。攜帶機具時，如果把手指放在開關上，或在開關開啟時，將機具插上插頭容易發生意外。
- ▶ 啟動機具前，應將所有調整鑰匙或扳手移開。將扳手或鑰匙留在機具的旋轉零件中可能會造成人員傷害。
- ▶ 勿將手伸出過遠。隨時站穩並維持平衡。這可讓您在意外情況發生時，對機具有較好的控制。
- ▶ 穿著適當服裝。請勿穿著寬鬆的衣服或佩戴珠寶。頭髮、衣服與手應遠離移動性零件。移動性零件可能會夾到寬鬆的衣服、珠寶或長髮。
- ▶ 如果機具可連接吸塵裝置與集塵設備，請連接並適當使用這些設備。使用集塵裝置可降低與粉塵有關的危險。
- ▶ 請勿因頻繁而習慣使用機具便疏於遵守或忽略機具的安全規範。草率使用可能在轉眼間便造成嚴重的傷害。

#### 機具使用與保養

- ▶ 不可強制使用機具。依據用途使用正確的機具。根據設計的速率使用機具可更快速安全地完成工作。
- ▶ 若開關無法啟動或關閉電動工具時，請勿使用電動工具。任何無法以開關控制的機具都很危險且需要維修。
- ▶ 在進行任何調整、更換配件、或貯放電動機具前，請先將插頭拔離插座和 / 或將電池組自電動機具卸下（如可拆卸）。此預防安全措施可降低機具意外啟動的風險。
- ▶ 將開置的機具貯放在兒童拿不到的地方，勿讓不熟悉或未詳閱本說明的人員操作本機具。機具在未經訓練的使用者手中是很危險的。
- ▶ 維護機具與配件。請檢查移動性零件有無偏移或黏合的情形、零件有無破損，以及任何會影響機具運轉的狀況。如果機具受損，請先維修後再使用。很多意外便是由維護不當的機具造成的。
- ▶ 保持切割機具的銳利與清潔。具銳利切割邊緣的切割機具如果得到適當的維護，便較不會發生黏合的現象，且較容易控制。
- ▶ 遵守本指示說明使用機具、配件和工具組等，並考量工作條件與待進行的工作。將機具用在原目的之外用途可能會造成危險。





- ▶ 保持握把與其表面的乾燥、清潔且不要讓上面出現油漬。握把及其表面濕滑會在意外情況中造成機具無法安全掌控。

#### 維修服務

- ▶ 請將機具交給合格的維修人員進行維修，並使用相同的替代零件。這可確保維護機具安全。

## 2.2 電錘的安全注意事項

### 各種工作的安全操作說明

- ▶ 請配戴耳罩。暴露於噪音環境下會導致聽力受損。
- ▶ 請使用機具隨附的輔助握把。機具失控可能會導致人員受傷。
- ▶ 當所進行的工作，配件工具可能會碰觸到隱藏配線或其自身的電線時，請在操作時握住機具的絕緣握把。若配件工具接觸帶電線路，機具暴露在外的金屬零件也會通電，造成操作員觸電。

## 2.3 鑿破機的其他安全操作說明

### 人員安全

- ▶ 僅在本產品和配件能正常運轉時使用。
- ▶ 勿嘗試以任何方式改裝產品或配件。
- ▶ 往天花板、牆面及地板鑿孔時，請務必確認您有安全且堅固的站立點。若突然鑿穿會影響您的平衡！
- ▶ 若工作包含鑿穿作業，請於工件另一面一併採取適當的防護措施。鑿穿的碎片會掉落和 / 或造成他人受傷。
- ▶ 機具運轉時，您與附近的所有人都必須配戴合適的護目鏡及安全帽、聽力保護耳罩、保護性手套和呼吸保護口罩。
- ▶ 更換配件工具時，請穿戴防護手套。觸摸配件工具會造成割傷或灼傷。
- ▶ 穿戴護目鏡。飛散的碎片可能會傷害身體與眼睛。
- ▶ 研磨、切割和鑽孔時產生的粉塵可能含有危險的化學物質。例如：鉛或以鉛為基底的顏料；磚塊、混凝土和其他建材產品、天然石材和其他含矽酸鹽的產品；橡木、山毛櫸等特定木材以及化學處理的木材；石棉或含有石棉的物質。根據操作員工作時接觸的物質危險等級來決定操作員和其他人員暴露在該環境的程度。採取必要的措施，以將暴露相關條件維持在安全等級上，例如：使用吸塵系統或配戴合適的防護面罩。降低在該環境下的暴露程度的一般措施包括：
  - ▶ 工作區域保持良好通風
  - ▶ 避免長時間接觸粉塵
  - ▶ 清除臉部和身體上的粉塵
  - ▶ 穿著防護衣，用水和肥皂清洗裸露在外的身體部位
- ▶ 請經常休息，並活動您的手指以促進血液循環。長時間暴露在劇烈震動下會造成手指、手掌和手腕的血管或神經系統失調。

### 電力安全

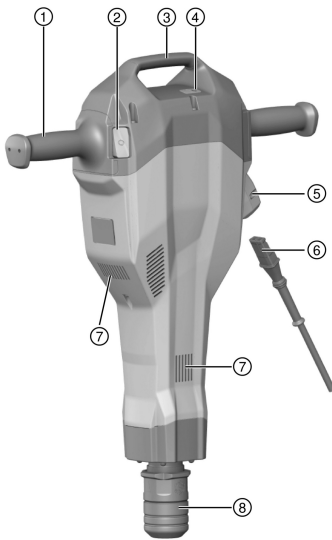
- ▶ 開始工作前，請先檢查工作區域是否有隱藏的電纜線、瓦斯管或水管。電線、天然氣管線或水管若損壞，本產品外側上的金屬零件可能導致觸電或爆炸。

### 小心處理與使用電子工具及機具

- ▶ 請先將本產品移至加工位置上，才將它啟動。
- ▶ 請等候本產品完全靜止再將其放下。



#### 3.1 TE 2000-AVR總覽



- ① 握把
- ② On/Off開關
- ③ 握把
- ④ 維修指示燈
- ⑤ 電源線插頭
- ⑥ 可拆式電源線
- ⑦ 通風口
- ⑧ 夾頭

#### 3.2 用途

本文所述產品為手持充電式鑿破機。適用於於混凝土、石材、石頭之鑿孔作業。其亦可用於挖掘與緊壓。機具驅動連接供電總電源時，需符合額定銘牌上所指定的電壓和頻率。

#### 3.3 可能發生的誤用

- 機具僅可在乾燥的環境中使用。
- 不要在有可能發生火災與爆炸危險的地方使用本機具。
- 勿在會危害人體健康的基材（例如：石棉）上作業。

#### 3.4 Active Vibration Reduction

本機具配備主動減震（Active Vibration Reduction (AVR)）系統，可明顯減少震動。

#### 3.5 維修指示燈

本鑿破機配備維修LED指示燈。

狀態	意義
維修指示燈亮起紅燈。	維修間隔結束 - 維修日期已到。定期將機具送回 Hilti 維修中心保養以確保機具使用狀態良好。機具發生故障。
維修指示燈閃爍紅燈。	過熱防護措施 電源供應電壓過高。

#### 3.6 配備及數量

電子鑿破機，可拆式電源線、操作說明、潤滑劑。搬運推車為配件。

關於產品，您可於當地 Hilti 中心或網站 [www.hilti.group](http://www.hilti.group) 查詢其他經過認證的系統產品。



## 4 技術資料

### 4.1 鑿破機



關於額定電壓、電流、頻率和 / 或輸入功率，請參照機具的特定國家型號識別牌。

如果裝置由發電機或變壓器供電，必須至少能提供兩倍於裝置額定銘板上標示的額定輸入值電力。發電機或變壓器的操作電壓必須隨時介於裝置額定電壓+5 %和-15 %以內。

	TE 2000-AVR
產品世代	01
重量 (依據EPTA程序01)	14.5 kg
衝擊速度	30 Hz
防護等級	II

### 4.2 噪音資訊及震動值

操作說明中所提供之音壓和震動值已參照標準測量，並可用來比較不同機具之噪音。它們也可作為噪音量的初步評估。

提供之資料表示機具主要應用時之數值。若機具應用於不同之用途，搭配不同的配件工具或在保養不良的情況下，其數據會有所不同。在作業過程中，這會大幅提高其噪音量。

當電子機具關閉，或開啟但未進行任何作業時也應列入考量，才能準確評估噪音量。在作業過程中，這會大幅降低其噪音量。

確認其他安全措施，以保護操作員不受噪音和 / 或震動影響，例如：保養機具與其配件工具、操作前保持雙手溫暖、作業型式之安排等。



關於在本處所使用EN 62841標準版本的詳細資訊，請查閱符合聲明之副本 168。

#### 噪音強度

測定聲功率級數 ( $L_{WA}$ )	96 dB(A)
無法判定的聲功率級數 ( $K_{WA}$ )	3 dB(A)
釋放的音壓級數 ( $L_{pA}$ )	88 dB(A)
無法判定的音壓級數 ( $K_{pA}$ )	3 dB(A)

#### 震動值

鑿孔 ( $a_{h, Cheq}$ )	3.9 m/s <sup>2</sup>
無法判定 (K)	1.5 m/s <sup>2</sup>

## 5 操作

### 5.1 工作場所的準備工作

#### 注意

有受傷的危險！產品意外啟動。

▶ 在調整機具或變更配件前，請先拔除電源線。

請遵守本文件中與產品上的安全說明和警告。

#### 5.1.1 將電源線連上機具



可拆式插頭連接頭僅能在乾淨、乾燥且無電壓（亦即未連接電源時）的情況下連接到產品。插頭連接頭有鍵齒相符。

1. 將電源線自厚紙箱上移除。
2. 將連接頭插入機具，直到咬合聲音。
3. 將電源線插頭插入插座。



### 5.1.2 安裝配件工具

1. 將電源線插頭自插座拔離。
2. 在配件工具的連接頭稍微上點潤滑劑。
  - ▶ 限使用HilTI提供的建議潤滑劑。使用錯誤的油脂會造成機具損壞。
3. 盡可能將配件工具推入夾具內，並施加些微壓力直到發出咬合的喀嗒聲。
4. 請以握住拉取方式檢查鑿子是否已正確咬合。

### 5.1.3 卸下配件工具

#### 注意

有受傷的危險！配件可能會非常燙和 / 或有尖銳的邊緣。

- ▶ 請在更換配件工具時戴上防護手套。
- ▶ 不得將配件工具放置在可燃表面上。

1. 將電源線插頭自插座拔離。
2. 將配件工具固定棒盡可能向後拉回。
3. 卸下配件工具。

## 5.2 工作類型

#### 警告

觸電風險！若操作沒有接地導線及未正確連接漏電斷路器的機具，會造成人員嚴重傷害或灼傷。

- ▶ 不論使用的主電源或發電機功率為何，請務必確認已正確連接適當的接地導線且電源已安裝漏電斷路器。
- ▶ 除非上述安全措施已確實安裝且正常運作，否則不得使用本產品。

#### 警告

受損的電源線會造成危險！當機具運轉時，如果發現電源線或延長線受損，請勿碰觸。請將電源線插頭自插座拔除。

- ▶ 請定期檢查設備的電源線，並在發現損壞時，請合格的電力專員更換。

開始進行作業前，須得到現場工程師或建築師的完整許可。

### 5.2.1 鑿孔

1. 將電源線插頭插入插座。
2. 將鑿子尖端置於需要的位置。
3. 按下On/Off開關。



低溫環境的運作：

鎚擊機制僅在當機具達到最低運轉溫度時才能運作。請將鑿子放置基材接觸面，並啟動機具使之於無負載下運轉，直到到達所需的運轉溫度。如有必要，請重複此程序直到鎚擊機制開始運作。

### 5.2.2 關閉開關

1. 按下On/Off開關。
2. 將電源線插頭自插座拔離。

### 5.2.3 操作機具



鑿子可調整在6種不同位置（每60°一段）。這樣便可確保扁鑿和各形狀的鑿子可以設定在最佳運作段位。

- ▶ 將鑿子放置在工件邊緣約80 - 100 mm (3 1/8" - 4") 的位置。
- ▶ 在鋼筋附近工作時，請務必將鑿子尖端往工件邊緣方向導引，而不是往鋼筋。
- ▶ 一開始，先將鑿子放置在與混凝土表面為70°到80°之間的角度，然後鑿子尖端指向工件邊緣處。在鑿子深入的同时，緩緩的將角度增至約90°將材料鑿穿。
- ▶ 定期旋轉鑿子以確保磨損平均且有助於促進自銳程序。
- ▶ 若壓力不足，鑿子會到處亂跳，無法控制。過度壓力的使用會造成鑿孔效能的損失。



## 6 選配搬運推車

### 6.1 運送

搬運推車可以確保鑿破機的搬運安全。

- 請將搬運推車停放在穩定、牢靠的位置。
- 將機具放在搬運推車上的定位銷，並切記將扣環扣上，使其可穩固搬運。
- 將鑿子推入提供的承座中直到確實咬合。
- 請小心並僅遵循安全的搬運路線。
- 請勿將搬運推車停放在斜坡上。

## 7 維護及保養

### 警告

**觸電危險！** 電源線仍連接到電源插座時進行維護和保養會造成嚴重的傷害或灼傷。

- ▶ 進行維護及保養前，請務必拔下電源線。

### 注意

- 仔細清除機具的頑強灰塵。
- 請使用乾燥的刷子小心清潔通風口。
- 僅能使用微濕軟布清潔外殼。勿使用含硅樹脂的清潔或亮光劑，因為可能會造成塑膠零件損壞。

### 維護

### 警告

**電擊的風險！** 損壞的電子零件會造成嚴重的人員傷害及灼傷。

- ▶ 機具或設備電力部分的維修僅可交由訓練過的電力專員處理。

- 定期檢查外部零件和控制元件有無損壞跡象，並確認它們運作正常。
- 如果有損壞跡象或任何零件功能故障，請不要操作本產品。請將產品立刻交付Hilti維修中心進行維修。
- 清潔及保養後，裝上所有防護套或保護裝置並檢查功能是否正常。



為確保操作的安全及可靠性，請務必使用原廠Hilti備件與耗材。要選購Hilti認可的備件、耗材和配件，請至Hilti Store或網站：[www.hilti.group](http://www.hilti.group)。

## 8 故障排除

若您遇到未列出的問題或是無法自行排除的問題，請聯絡Hilti維修中心。

### 8.1 故障排除表

故障	可能原因	解決方法
機具無法啟動。	電器初始化進行中（插電後約需4秒鐘）。	▶ 再次切換機具開關（先關閉再開啟）。
	電源供應中斷。	▶ 將插頭插入另一電器並檢查是否可啟動。
	電源線或插頭有瑕疵。	▶ 將零件送交經訓練電力專員檢查，必要時予以更換。
	發電機有睡眠模式	▶ 連接第二個電力消耗裝置（例如工作燈）至發電機上。關閉機具後再開啟。
無鎚擊動作。	機具溫度太冷。	▶ 將機具暖機直到最低運轉溫度。
	機具發生故障。	▶ 請將機具交付Hilti維修中心進行維修。
機具無法啟動或在運轉時停止，且指示燈閃爍紅燈。	暫時故障（例如過熱或電壓過高）。	▶ 關閉機具，讓機具冷卻或連接到其他電源。
機具啟動但維修指示燈恆亮紅燈。	需要維修的進階警示。	▶ 請將機具交由Hilti維修中心進行維護或維修。



故障	可能原因	解决方法
機具無法啟動，或在運轉時停止。	延長線太長和 / 或口徑規格不足。	▶ 使用經認可的延長線及 / 或足夠的口徑。
	可拆式電源線未正確安裝。	▶ 將可拆式電源線確實連上機具。

## 9 廢棄設備處置

Hilti機具或設備所採用的材料大部分均可回收再利用。材料在回收前必須正確地分類。在許多國家中，您可以將舊機具及設備送回Hilti進行回收。詳情請洽Hilti維修中心，或當地Hilti代理商。



- ▶ 不可將電動工具、電動裝置和電池當成一般垃圾丟棄！

## 10 RoHS (有害物質限制指令)

按一下本連結可前往危險物質表：[qr.hilti.com/r6025050](http://qr.hilti.com/r6025050)。  
您可在文件最後找到QR碼格式的RoHS表連結。

## 11 製造商保固

- ▶ 如果您對於保固條件有任何問題，請聯絡當地Hilti代理商。

Hilti Taiwan Co., Ltd.

24F., No. 16, Xinzhan Rd., Banqiao Dist., New Taipei City 220, Taiwan (R.O.C.)

Tel. 0800-221-036

# 原版操作說明

## 1 关于本操作说明的信息

### 1.1 关于本操作说明

- **警告！** 在使用本产品之前，请确保您已阅读并理解产品随附的操作说明，包括说明、安全和警告通知、插图和规格。尤其要熟悉所有说明、安全和警告通知、插图、规格、组件和功能。否则可能会导致触电、火灾和/或严重伤害的风险。保存操作说明，包括所有说明、安全和警告通知，以供以后使用。
- 产品经设计适用于专业用户，只有经过专门训练的授权人员才允许操作、维修和维护本产品。必须将任何可能的危险专门告知该人员。不按照说明使用或由未经培训的人员不正确地使用本产品及其辅助设备可能会带来危险。
- 随附的操作说明符合印刷时的最新技术水平。始终在 Hilti 产品页面上在线查找最新版本。为此，请点击这些操作说明中标有 符号的链接或二维码。
- 仅将产品连同本操作说明一起交给他人。

### 1.2 所用标志的说明

#### 1.2.1 警告

警告是为了提醒您您在处理或使用此产品时会发生的危险。使用以下信号词：

-危险-

危险！

- ▶ 用于让人们能够注意到会导致严重身体伤害或致命的迫近危险。

-警告-

警告！

- ▶ 用于提醒人们注意可能导致严重或致命伤害的潜在危险。



-小心-

小心！

- ▶ 用于提醒人们注意可能造成人身伤害、设备损坏或其他财产损失的潜在危险情况。

### 1.2.2 操作说明中的符号

本操作说明中使用下列符号：

	遵守操作说明
	使用说明和其他有用信息
	处理可回收材料
	不得将电气设备和电池作为生活垃圾处置

### 1.2.3 图示中的符号

图示中使用了下列符号：

	这些编号指本操作说明开始处的相应图示。
	图示中的编号表示重要的操作步骤或对操作步骤重要的部件。这些操作步骤或部件在文本中使用相应的编号突出显示，例如 (3)。
	位置编号被用于概览图中并表示产品概览段落中的图例编号。
	这些符号旨在提醒您在操作本产品时要特别注意的某些要点。

## 1.3 取决于产品的符号

### 1.3.1 产品上的符号

产品上使用下列符号：

	保护等级 II (双重绝缘)
	维护指示灯

## 2 安全

### 2.1 一般电动工具安全警告

**警告** 请阅读本电动工具随附的所有安全警告、说明、图示和技术规范。不遵守下列所有操作说明可能会导致电击、火灾和/或严重人身伤害。

请保存所有安全警告和操作说明，以供将来参考。

在所有下列的警告中术语“电动工具”指市电驱动(有线)电动工具或电池驱动(无线)电动工具。

#### 工作区域安全

- ▶ 保持工作区域清洁和良好照明。杂乱和黑暗的区域容易导致事故。
- ▶ 不要在爆炸性环境中操作电动工具，例如有易燃液体、气体或灰尘。电动工具会产生可以点燃这些灰尘或烟雾的火花。
- ▶ 在操作电动工具时，要令儿童和旁观者远离工作现场。万一分心，可能会使您失去对电动工具的控制。

#### 电气安全

- ▶ 电动工具(设备)插头必须匹配电源插座。切勿以任何方式改动插头。对于接地的电动工具(设备)，不要使用任何适配器插头。使用未经改动的插头和匹配的电源插座可以大大减少电击危险。
- ▶ 避免人体接触接地表面，如管道、散热片和冰箱。如果您的身体接地，则会增加电击危险。
- ▶ 不要将电动工具暴露在雨水或潮湿环境中。电动工具进水将会增加电击危险。
- ▶ 不要滥用电缆。切勿使用电缆运送、拉动或拔出电动工具。保持电缆远离高温、油、锋利边缘或运动部件。电缆损坏或缠绕会增加电击危险。
- ▶ 当在户外操作电动工具时，应使用经认可适合户外操作的加长电缆。使用适合户外使用的电缆可减少电击危险。



- ▶ 如果在潮湿环境下操作电动工具是不可避免的，应使用剩余电流动作保护器 (RCD)。使用 RCD 可减小电击危险。

### 人身安全

- ▶ 保持警觉，注意您正在进行的工作，并在操作电动工具的过程中，应利用自己的判断能力。当您疲劳或受到药物、酒精或医疗影响时，请不要使用电动工具。当操作电动工具时，瞬间的分心都可能导致严重的人身伤害。
- ▶ 使用个人防护装备。一定要戴上护目装置。安全装置，诸如适当条件下使用防尘面具、防滑安全鞋、安全帽、听力防护等装置能减少人身伤害。
- ▶ 防止电动工具意外启动。在连接到电源和/或电池组、拿起或搬运电动工具之前，应确保开关处于“关闭”位置。将手指放在开关上搬运电动工具或在开关处于“打开”位置时接通电源，都可能会导致事故发生。
- ▶ 在打开电动工具之前，必须拿掉任何调整键或扳手。让扳手或调整键留在电动工具的旋转部件上可能会导致人身伤害。
- ▶ 不要操之过急。应时刻保持正确的站姿和平衡。这在意外情况下能够更好地控制电动工具。
- ▶ 应确保正确着装。不要穿着松垮的衣服或佩戴首饰。让头发和衣服远离运动部件。松垮的衣服、首饰或长发会卡在运动部件中。
- ▶ 如果提供有用于连接除尘和集尘设施的装置，应确保将它们连接好并正确使用。使用除尘装置可以减少与灰尘相关的危险。
- ▶ 经常使用工具能令您获得较高的熟练度，但不能因此掉以轻心和忽视工具安全准则。一次不慎操作就会在瞬间导致重伤。

### 电动工具的使用和维护

- ▶ 不要强制使用电动工具。针对您的应用场合使用正确的电动工具。正确的电动工具在其额定设计值范围内将能够更好和更安全地工作。
- ▶ 如果通过开关不能使其打开和关闭，则请不要使用电动工具。任何不能通过开关进行控制的电动工具都是危险的，必须对其进行修理。
- ▶ 在进行任何调整、更换配件或存放电动工具之前，应从电源上断开插头和/或从电动工具上拆下电池组 (若可拆卸)。此预防性安全措施可减少意外启动电动工具的危险。
- ▶ 将不用的电动工具存放在儿童拿不到的地方，并且不要让不熟悉电动工具或其操作说明的人员操作电动工具。未经培训的用户操作电动工具是危险的。
- ▶ 维护电动工具和配件。检查是否存在运动部件失调或卡滞、部件断裂和任何其它影响电动工具操作的情况。如果存在损坏，则在使用之前应修理电动工具。许多事故都是由于电动工具维护不良造成的。
- ▶ 保持切削工具锋利和清洁。带锋利切削刃的切削工具如果维护得当，很少会发生卡滞且更容易控制。
- ▶ 按照使用说明书，考虑作业条件和进行的作业来使用电动工具、附件和工具的刀头等。将电动工具用于指定用途以外的场合会导致危险。
- ▶ 使手柄和抓握面保持干燥、清洁且没有油脂。如果手柄和抓握面打滑，将无法在意外情况下安全操作或控制本工具。

### 保养

- ▶ 将您的电动工具送交专业维修人员，使用同样的备件进行修理。这样才可确保维持电动工具 (设备) 的安全性。

## 2.2 锤子安全说明

### 适用于所有作业类型的安全说明

- ▶ 戴上护耳装置。如果直接暴露在噪音中，则会导致听力受损。
- ▶ 使用随工具提供的辅助手柄。对工具失去控制可能会导致人身伤害。
- ▶ 执行配套工具可能接触到隐藏线束或其自带电缆的操作时，应通过绝缘的抓握面握住电动工具。如果配套工具接触到带电电线，电动工具的金属部件也将带电，从而导致电击。

## 2.3 破碎机的其它附加安全说明

### 人身安全

- ▶ 只有产品和附件处于良好的技术状态时才能使用。
- ▶ 切勿以任何方式擅自改动或改装本产品或附件。
- ▶ 当对天花板、墙壁和地板进行凿边时，请务必确保采用安全、稳妥的工作姿势。突然的穿透操作会影响您的身体平衡！
- ▶ 在需要穿透的待加工工件的对侧采取适当的安全措施。被钻下的工件部分可能会弹出或掉落并伤害到其他人。
- ▶ 当使用本电动工具时，您和附近的任何其他人员都必须戴上适当的护目装置、安全帽、护耳装置、防护手套和呼吸防护装置。
- ▶ 在更换配套工具时佩戴防护手套。触碰配套工具会导致割伤和烫伤。





- ▶ 请戴上护目装置。飞溅的碎片有导致身体和眼睛受伤的风险。
- ▶ 磨削、抛光、切割和钻孔过程中产生的粉尘可能包含有害化学物质。一些例子包括：铅或铅基涂料；砖、混凝土、其他砖石产品、天然石材和其他含硅酸盐的产品；一些木材，例如橡木、山毛榉和化学处理过的木材；石棉或含石棉的材料。根据所处理材料的危险等级，确定操作员和附近人员的暴露程度。采取必要的措施将暴露保持在安全水平内，例如使用集尘系统或佩戴适当的呼吸防护装置。减少暴露的一般措施包括：
  - ▶ 在通风良好的区域进行操作，
  - ▶ 避免长时间接触粉尘，
  - ▶ 清除脸部和身体上的粉尘，
  - ▶ 穿着防护服并用肥皂和水清洗暴露的部位。
- ▶ 适当休息并活动手指，以改善手指的血液循环。工作期间长时间暴露于强烈振动环境中可能导致手指、手掌和手腕部位血管和神经系统紊乱。

#### 电气安全

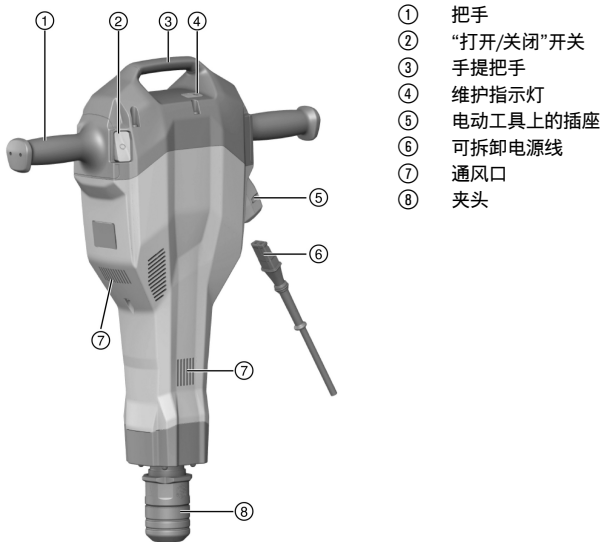
- ▶ 开始工作前，检查工作区域是否有隐蔽的电缆或天然气和水管。如果电缆、燃气管或水管有损坏，则产品的外部金属部件可能会导致电击或爆炸。

#### 电动工具的使用和保养

- ▶ 先将产品置于工作位置，然后才开机。
- ▶ 等待产品完全停止后再将其放下。

## 3 说明

### 3.1 TE 2000-AVR 概述



- ① 把手
- ② “打开/关闭”开关
- ③ 手提把手
- ④ 维护指示灯
- ⑤ 电动工具上的插座
- ⑥ 可拆卸电源线
- ⑦ 通风口
- ⑧ 夹头

### 3.2 预期用途

所述产品为手持式电动破碎机。它设计用于混凝土、砖石和沥青等材料的凿边作业。也可将其用于挖掘和压实。

只有所连接电源的电压和频率符合本工具铭牌上给出的信息时，才能使用本工具。

### 3.3 可预见的误用

- 电动工具只能用于干燥环境。
- 不要将电动工具用于存在火灾和爆炸危险的地方。
- 不允许使用对健康有害的材料 (例如石棉)。



### 3.4 Active Vibration Reduction

本工具配备有 Active Vibration Reduction (AVR) 系统，能够显著减小振动。

### 3.5 维护指示灯

破碎机配备了一个维护指示灯 LED。

状态	含义
维护指示灯呈红色亮起。	维护间隔周期结束 - 到了该进行维护的时候。将产品返回至 Hilti 维修中心及时进行维修，以确保随时可以投入使用。 电动工具内已发生故障。
维护指示灯呈红色闪烁。	防止过热 电源提供的电压太高。

### 3.6 供货提供的部件：

电动破碎机、可拆卸电源线、操作说明、润滑脂。运输车作为配件提供。

您可以在您当地的 Hilti 中心或通过在线访问 [www.hilti.group](http://www.hilti.group) 找到批准用于您的产品的其它系统产品

## 4 技术数据

### 4.1 破碎机

有关额定电压、电流、频率和/或输入功率的详细信息，请参见各国特定的电动工具铭牌。

当通过发电机或变压器为设备供电时，发电机或变压器的输出功率必须至少达到本设备铭牌上显示的额定输入功率的两倍。变压器或发电机的工作电压必须始终保持在设备额定电压 +5% 和 -15% 的范围内。

	TE 2000-AVR
产品代号	01
重量 (按照 EPTA 程序 01)	14.5 kg
冲击速度	30 Hz
保护等级	II

### 4.2 噪声信息和振动值

这些说明中给出的声压和振动值按照标准化测试的要求测得，可用于比较一种电动工具与另一种电动工具。它们还可用于初步评价受振动影响的程度。

提供的数据代表本电动工具的主要应用。但是，如果将电动工具用于不同的应用、使用不同的配套工具或维护不良，则数据可能不同。这可能会显著增加操作者在整个工作期间受振动影响的程度。

对受振动影响程度的准确估计还应考虑当关闭电动工具或当它运行但实际未进行工作时情况。这可能会显著减小操作者在整个工作期间受振动影响的程度。

此外，应确定附加安全措施，以保护操作者免受噪音和/或振动影响，例如：正确维护电动工具和配套工具、保持双手温暖、制订合理的工作计划等。

关于此处所使用的 EN 62841 标准版本的详细信息，请查看符合性声明图示 169。

### 噪声排放值

声功率级已测量 ( $L_{WA}$ )	96 dB(A)
声音功率级的不确定性 ( $K_{WA}$ )	3 dB(A)
排放声压级 ( $L_{pA}$ )	88 dB(A)
声压级的不确定性 ( $K_{pA}$ )	3 dB(A)



## 振动值

凿边 ( $a_{h, CHeq}$ )	3.9 m/s <sup>2</sup>
不确定性 (K)	1.5 m/s <sup>2</sup>

## 5 操作

### 5.1 工作现场的准备工作



-小心-

人身伤害的危险！产品意外启动。

- ▶ 对电动工具进行任何调节前或更换配件前，先拔出电源线插头。

请遵守本文档中以及产品上的安全说明和警告。

#### 5.1.1 将电源线连接至电动工具



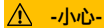
可释放插头仅可在清洁、干燥和无电压 (例如，断开了电源) 条件下连接至本产品。插头采用键配合。

1. 从纸板盒中取出电源线。
2. 将插头插入工具，轻轻推入，直至听到其接合时发出“咔哒”的声音。
3. 将电源线插头插入电源插座。

#### 5.1.2 安装配件工具

1. 从电源插座上拔掉电源线插头。
2. 稍稍润滑配件工具的连接端。
  - ▶ 请仅使用 Hilti 提供的推荐润滑脂。使用错误的润滑脂可能会导致工具损坏。
3. 将配件工具推入夹头中并推到底，转动并施加轻微的压力，直至听到其接合时发出“咔哒”的声音。
4. 通过抓住并拉动凿子，检查并确认其已正确接合。

#### 5.1.3 拆卸配套工具



-小心-

人身伤害的危险！配套工具可能会发烫或边缘很锋利。

- ▶ 更换配套工具时，戴上防护手套。
- ▶ 切勿将发烫的配套工具放在易燃表面上。

1. 从电源插座上拔掉电源线插头。
2. 将配套工具固定杆尽可能向后拉回。
3. 拆卸配套工具。

### 5.2 工作类型



-警告-

电击风险！如果试图在不带接地导线以及未正确连接接地故障断路器的情况下操作工具，则会导致严重受伤和烫伤。

- ▶ 不论使用的是主电源还是发电机电源，应始终确保电源中带有接地导线且已正确连接接地故障断路器。
- ▶ 除非这些安全措施到位且完全起作用，否则请勿使用本产品。



-警告-

损坏的电源线会构成危险！在工作时，不要接触已损坏的电源线或加长电缆。将电源线插头从电源插座上断开。

- ▶ 定期检查设备的电源线，如果发现损坏，则让有资格的专业人员进行更换。

在开始工作之前，必须获得现场工程师或建筑师的完全批准。

#### 5.2.1 凿边

1. 将电源线插头插入电源插座。



2. 将凿子尖端定位在期望的位置。
3. 按下“打开/关闭”开关。



在低温下工作时：

锤击机构仅在电动工具已达到最低工作温度时才会工作。使凿子与工件接触并允许电动工具在无负荷条件下运行，直至达到所需的温度。必要时，可重复此步骤，直至锤击机构开始工作。

### 5.2.2 关闭

1. 按下“打开/关闭”开关。
2. 从电源插座上拔掉电源线插头。

### 5.2.3 电动工具的使用



可以将凿子调整至 6 个不同位置 (以 60° 为增量)。这样可确保总是可以将平头和成形凿子设置到最佳工作位置。

- ▶ 使凿子接近工件至距离工件边缘约 80 - 100 mm (3 1/8" - 4")。
- ▶ 在钢筋附近工作时，应始终将凿子的尖端引向工件的边缘，而非引向钢筋。
- ▶ 在凿子与混凝土表面成 70° 至 80° 时开始工作，并令凿子的尖端朝向工件边缘。随着凿子深入，逐渐将这一角度增加到 90° 左右使材料破碎。
- ▶ 定时旋转凿子，帮助确保均匀的磨损并改进自磨工艺。
- ▶ 如果施加的压力不足，则凿子将会不受控制地跳动。如果施加的压力过大，则将会导致凿边性能损失。

## 6 运输车选装

### 6.1 运输

运输车有助于确保安全运输破碎机。

- 注意确保让运输车立在稳定可靠的位置。
- 将电动工具置于运输车的定位销上，并始终通过关闭固定杆将其固定，以便进行运输。
- 将凿子推送到提供的套筒中，直到其稳固接合。
- 运输时注意只能走安全的运送路线。
- 不得将运输车停在斜坡上。

## 7 维护和保养



-警告-

**电击危险！** 如果试图在电源线连接电源插座的情况下执行保养和维护，则会导致严重受伤和烫伤。

- ▶ 执行维护和保养任务之前，请务必拔下电源线。

### 保养

- 小心地清除工具上的顽固污渍。
- 使用干燥的刷子小心清洁通风孔。
- 请仅使用略湿的布清洁壳体。不要使用含硅清洁剂，否则可能腐蚀塑料件。

### 维护



-警告-

**电击危险！** 电气部件的不当维修会造成包括灼伤在内的严重人身伤害。

- ▶ 工具或设备的电气系统只能由受过培训的电气专业人员进行维修。
- 定期检查所有可见部件和控制器是否出现损坏迹象，确保其全部正常工作。
- 如果发现损坏迹象或如果有部件发生故障，不要操作本产品。立即将产品交由 Hilti 维修中心修复。
- 清洁和维护之后，安装所有护板或保护装置，检查并确认其正常工作。



为确保安全和可靠的操作，仅限使用 Hilti 原装备件和消耗品。Hilti 批准用于配合产品使用的备件、消耗品和配件可到您当地的 **Hilti Store** 购买或通过以下网址在线订购：[www.hilti.group](http://www.hilti.group)。



## 8 故障排除

如果您碰到的问题未在此表中列出或您无法自己实施补救措施，请联系 Hilti 服务部门。

### 8.1 故障排除表

故障	可能原因	解决方案
电动工具不启动。	正在进行电子设备初始化 (连接电源后需要 4 秒钟)。	▶ 关闭电动工具然后再次打开。
	电源中断。	▶ 连接另一电气设备并检查它是否工作。
	电源线或插头有故障。	▶ 让经过培训的电气专业人员检查零件，必要时进行更换。
	发电机带睡眠模式	▶ 通过连接另一个耗电产品 (例如，工作灯) 给发电机施加负载。然后再次打开和关闭电动工具。
没有锤击作用。	电动工具过冷。	▶ 将电动工具预热到最低工作温度。
	电动工具内已发生故障。	▶ 应将电动工具交由 Hilti 维修中心修复。
电动工具不启动或在运行过程中骤停，且指示灯呈红色闪烁。	临时故障 (例如过热或过电压)。	▶ 关闭，让电动工具冷却下来或将其连接至不同的电源。
电动工具运行但指示灯连续呈红色亮起。	需要进行维护的事前警告。	▶ 应将电动工具交由 Hilti 维修中心维护或修理。
电动工具不启动或在运行过程中骤停。	加长电缆过长和/或其截面积不足。	▶ 使用具有许可长度和/或足够截面积的加长电缆。
	可拆卸电源线没有正确连接。	▶ 将可拆卸电源线正确连接至电动工具。

## 9 废弃处置

大部分用于 Hilti 工具和设备生产的材料是可回收利用的。在可以回收之前，必须正确分离材料。在很多国家，您的旧工具、机器或设备可送至 Hilti 进行回收。敬请联系 Hilti 服务部门或您的喜利得公司代表获得更多信息。



- ▶ 不要将电动工具、电子设备和电池扔进家庭垃圾中！

## 10 RoHS (有害物质限制)

单击链接跳转至有害物质表：[qr.hilti.com/r6025050](http://qr.hilti.com/r6025050)。  
文档末尾提供转至 RoHS 表的二维码链接。

## 11 制造商保修

- ▶ 如对保修条件有任何疑问，请联系您当地的 Hilti 代表。







## en Declaration of conformity

### Declaration of conformity

The manufacturer declares, on his sole responsibility, that the product described here complies with the applicable legislation and standards.

The technical documentation is filed here:

Hilti Entwicklungsgesellschaft mbH | Tool Certification | Hiltistrasse 6 | D-86916 Kaufering, Germany

### Product information

Breaker	TE 2000-AVR
Generation	01
Serial no.	1-9999999999

**Option:** Details on 2000/14/EG

### Details on 2000/14/EG:

Measured sound power level ( $L_{WA}$ ): 96 dB(A)
Guaranteed sound power level ( $L_{WA,G}$ ): 100 dB(A)
Conformity assessment procedure in accordance with Annex VI
Notified body No. 0044: TÜV NORD CERT GmbH, Am TÜV 1, 45307 Essen, Germany

## fr Déclaration de conformité

### Déclaration de conformité

Le fabricant déclare sous sa seule et unique responsabilité que le produit décrit ici est conforme aux directives et normes en vigueur.

Pour obtenir les documentations techniques, s'adresser à :

Hilti Entwicklungsgesellschaft mbH | Zulassung Geräte | Hiltistraße 6 | 86916 Kaufering, DE

### Caractéristiques produit

Burineur	TE 2000-AVR
Génération	01
N° de série	1-9999999999

**Option:** Détails sur 2000/14/EG

### Détails sur 2000/14/EG:

Niveau de puissance acoustique mesuré ( $L_{WA}$ ): 96 dB(A)
Niveau de pression acoustique garanti ( $L_{WA,G}$ ): 100 dB(A)
Procédure d'évaluation de la conformité conformément à l'annexe VI
Organisme de contrôle désigné n° 0044 : TÜV NORD CERT GmbH, Am TÜV 1, 45307 Essen, Germany

## da Overensstemmelseserklæring

### Overensstemmelseserklæring

Producenten erklærer som eneansvarlig, at det her beskrevne produkt er i overensstemmelse med gældende lovgivning og gældende standarder.

Den tekniske dokumentation er arkiveret her:

Hilti Entwicklungsgesellschaft mbH | Zulassung Geräte | Hiltistraße 6 | 86916 Kaufering, DE

### Produktoplysninger

Mejselhammer	TE 2000-AVR
Generation	01
Serienummer	1-9999999999





**Ekstratilhjør:** Nærmere oplysninger om 2000/14/EG

### Nærmere oplysninger om 2000/14/EG:

Målt lydeffektniveau ( $L_{WA}$ ): 96 dB(A)
Garanteret lydeffektniveau ( $L_{WAd}$ ): 100 dB(A)
Vurderingsproces for konformitet i henhold til bilag VI
Notificeret kontrolorgan nr. 0044: TÜV NORD CERT GmbH, Am TÜV 1, 45307 Essen, Germany

### sv Försäkran om överensstämmelse

#### Försäkran om överensstämmelse

Härmed intygar tillverkaren med ensamt ansvar att produkten som beskrivs överensstämmer med gällande lagstiftning och standarder.

Den tekniska dokumentationen finns sparad här:

**Hilti** Entwicklungsgesellschaft mbH | Zulassung Geräte | Hiltistraße 6 | 86916 Kaufering, Tyskland

#### Produktdetaljer

Mejselhammare	TE 2000-AVR
Generation	01
Serienr	1-99999999999

**Alternativ:** Detaljer för 2000/14/EG

#### Detaljer för 2000/14/EG:

Uppmätt ljudeffektnivå ( $L_{WA}$ ): 96 dB(A)
Tillåten ljudeffektnivå ( $L_{WAd}$ ): 100 dB(A)
Förfarande för bedömning av överensstämmelse enligt bilaga VI
Anmält kontrollorgan nr 0044: TÜV NORD CERT GmbH, Am TÜV 1, 45307 Essen, Germany

### no Samsvarserklæring

#### Samsvarserklæring

Produsenten erklærer under sitt eneansvar at produktet som er beskrevet her, oppfyller kravene i gjeldende lovgivning og er i samsvar med gjeldende standarder.

Den tekniske dokumentasjonen er lagret her:

**Hilti** Entwicklungsgesellschaft mbH | Zulassung Geräte | Hiltistraße 6 | 86916 Kaufering, DE

#### Produktopplysninger

Meiselhammer	TE 2000-AVR
Generasjon	01
Serienummer	1-99999999999

**Ekstrautstyr:** Opplysninger om 2000/14/EG

#### Opplysninger om 2000/14/EG:

Målt lydeffektnivå ( $L_{WA}$ ): 96 dB(A)
Garantert lydeffektnivå ( $L_{WAd}$ ): 100 dB(A)
Metode for vurdering av samsvar iht. Vedlegg VI
Meldt kontrollorgan nr. 0044: TÜV NORD CERT GmbH, Am TÜV 1, 45307 Essen, Germany

### fi Vaatimustenmukaisuusvakuutus

#### Vaatimustenmukaisuusvakuutus

Valmistaja vakuuttaa, että tässä kuvattu tuote täyttää sitä koskevien voimassa olevien lakien ja standardien vaatimukset.

Tekninen dokumentaatio löytyy tästä:

**Hilti** Entwicklungsgesellschaft mbH | Zulassung Geräte | Hiltistraße 6 | 86916 Kaufering, DE

#### Tuotetiedot

Piikkausvasara	TE 2000-AVR
----------------	-------------



2154382

Sukupolvi	01
Sarjanumero	1-99999999999

**Vaihtoehto:** Yksityiskohdat liittyen 2000/14/EG

### Yksityiskohdat liittyen 2000/14/EG:

Mitattu äänitehotaso ( $L_{WA}$ ): 96 dB(A)
Taattu äänitehotaso ( $L_{WA,d}$ ): 100 dB(A)
Vaatimustenmukaisuuden arviointimenettely liitteen VI mukaisesti
Nimetty tarkastuslaitos nro 0044: TÜV NORD CERT GmbH, Am TÜV 1, 45307 Essen, Germany

## et Vastavusdeklaratsioon

### Vastavusdeklaratsioon

Seadme tootja kinnitab ainuvastutajana, et käesolevas kasutusjuhendis kirjeldatud seade vastab kehtivate õigusaktide nõuetele ja kehtivatele standarditele.

Tehnilised dokumendid on saadaval:

**Hilti** Entwicklungsgesellschaft mbH | Zulassung Geräte | Hiltistraße 6 | 86916 Kaufering, DE

### Tooteinfo

Piikvasar	TE 2000-AVR
Pölvkond	01
Seerianumber	1-99999999999

**Valik:** 2000/14/EG üksikasjad

### 2000/14/EG üksikasjad:

Mõõdetud helivõimsustase ( $L_{WA}$ ): 96 dB(A)
Garanteeritud helivõimsuse tase ( $L_{WA,d}$ ): 100 dB(A)
Vastavuse hindamiseetod vastavalt VI lisale
Teavitatud asutus nr 0044: TÜV NORD CERT GmbH, Am TÜV 1, 45307 Essen, Germany

## lv Atbilstības deklarācija

### Atbilstības deklarācija

Ražotājs, uzņemoties pilnu atbildību, apliecina, ka šeit aprakstītais izstrādājums atbilst spēkā esošo tiesību aktu un standartu prasībām.

Tehnisko dokumentāciju glabā:

**Hilti** Entwicklungsgesellschaft mbH | Zulassung Geräte | Hiltistraße 6 | 86916 Kaufering, DE

### Izstrādājuma dati

Atskaldāmais āmurs	TE 2000-AVR
Paaudze	01
Sērijas Nr.	1-99999999999

**Opcija:** Sīkāka informācija par 2000/14/EG

### Sīkāka informācija par 2000/14/EG:

Izmērītais trokšņa jaudas līmenis ( $L_{WA}$ ): 96 dB(A)
Garantētais skaņas jaudas līmenis ( $L_{WA,d}$ ): 100 dB(A)
Atbilstības novērtējuma metode saskaņā ar VI pielikumu
Paziņotā pārbaudes iestāde Nr. 0044: TÜV NORD CERT GmbH, Am TÜV 1, 45307 Essen, Germany

## it Atitikties deklaracija

### Atitikties deklaracija

Gamintojas prisiimdamas visą atsakomybę pareiškia, kad čia aprašytas prietaisas atitinka galiojančių įstatymų ir standartų reikalavimus.

Techinė dokumentacija saugoma čia:



**Prietaiso duomenys**

Kirstuvas	TE 2000-AVR
Karta	01
Serijos Nr.	1-99999999999

**Papildomai užsakoma įranga:** Išsamiau apie 2000/14/EG

**Išsamiau apie 2000/14/EG:**

Išmatuotas garso stiprumo lygis ( $L_{WA}$ ): 96 dB(A)
Garantuotas garso stiprumo lygis ( $L_{WAd}$ ): 100 dB(A)
Atitikties vertinimo procedūra pagal VI priedą Paskelbtoji tikrinimo institucija Nr. 0044: TÜV NORD CERT GmbH, Am TÜV 1, 45307 Essen, Germany

**ru Декларация соответствия нормам**

**Декларация соответствия нормам**

Настоящим фирма-изготовитель с полной ответственностью заявляет, что данное изделие соответствует действующим директивам и нормам.

Техническая документация (оригиналы) хранится здесь:

Hilti Entwicklungsgesellschaft mbH | Zulassung Geräte | Hiltistraße 6 | 86916 Kaufering, Германия

**Указания к изделию**

Отбойный молоток	TE 2000-AVR
Поколение	01
Серийный №	1-99999999999

**Опция:** Подробнее о 2000/14/EG

**Подробнее о 2000/14/EG**

Измеренный уровень звуковой мощности ( $L_{WA}$ ): 96 дБ(А)
Гарантированный уровень звуковой мощности ( $L_{WAd}$ ): 100 дБ(А)
Процедура оценки соответствия согласно приложению VI Уполномоченный орган контроля № 0044: TÜV NORD CERT GmbH, Am TÜV 1, 45307 Essen, Germany

**uk Сертифікат відповідності**

**Сертифікат відповідності**

Виробник зі всією належною відповідальністю заявляє, що описаний у цьому документі інструмент відповідає чинному законодавству і стандартам.

Технічна документація зазначена нижче:

Hilti Entwicklungsgesellschaft mbH | Zulassung Geräte | Hiltistraße 6 | 86916 Kaufering, DE

**Інформація про інструмент**

Відбійний молоток	TE 2000-AVR
Версія	01
Серійний номер	1-99999999999

**Параметр:** Докладна інформація щодо 2000/14/EG

**Докладна інформація щодо 2000/14/EG:**

Вимірний рівень шумової потужності ( $L_{WA}$ ): 96 дБ(А)
Гарантований рівень шумової потужності ( $L_{WAd}$ ): 100 дБ(А)
Процес оцінювання відповідності – згідно з додатком VI Призначений експертний орган № 0044: TÜV NORD CERT GmbH, Am TÜV 1, 45307 Essen, Germany



**kk Сәйкестік декларациясы****Сәйкестік декларациясы**

Өндіруші осы нұсқаулықта сипатталған өнімнің қолданыстағы заңнамаға және қолданыстағы стандарттарға сәйкес екендігін толық жауапкершілікпен жариялайды.

Техникалық құжаттама мына жерде сақталған:

**Hilti** Entwicklungsgesellschaft mbH | Zulassung Geräte | Hiltistraße 6 | 86916 Kaufering, DE

**Өнім туралы мәліметтер**

Қашайтын балға	TE 2000-AVR
Буын	01
Сериялық нөмір	1-9999999999

**Опция:** 2000/14/EG бойынша мәліметтер

**2000/14/EG бойынша мәліметтер:**

Өлшенген шу деңгейі ( $L_{WA}$ ): 96 дБ(A)
Кепілді дыбыстық қуат деңгейі ( $L_{WA,d}$ ): 100 дБ(A)
VI қосымша бойынша сәйкестікті бағалау процедуралары Белгіленген сынақ органы № 0044: TÜV NORD CERT GmbH, Am TÜV 1, 45307 Essen, Germany

**tr Uygunluk beyanı****Uygunluk beyanı**

Üretici burada tanımlanan ürünün geçerli yasalara ve standartlara uygun olduğunu kendi sorumluluğunda beyan eder.

Teknik dokümantasyonlar eklidir:

**Hilti** Entwicklungsgesellschaft mbH | Zulassung Geräte | Hiltistraße 6 | 86916 Kaufering, DE

**Ürün bilgileri**

Keski tabancası	TE 2000-AVR
Nesil	01
Seri no.	1-9999999999

**Seçenek:** Detaylar için 2000/14/EG yönetmeliğine bakınız

**Detaylar için 2000/14/EG yönetmeliğine bakınız:**

Ölçülen ses gücü seviyesi ( $L_{WA}$ ): 96 дБ(A)
Garanti edilen ses gücü seviyesi ( $L_{WA,d}$ ): 100 дБ(A)
Ek VI uyarınca uygunluk değerlendirme prosedürü Onaylanmış test merkezi no. 0044: TÜV NORD CERT GmbH, Am TÜV 1, 45307 Essen, Germany



## بيان المطابقة

تعلن الجهة الصانعة على مسؤوليتها وحدها بأن المنتج المشروع هنا يتوافق مع التشريعات والمعايير المعمول بها.

المستندات الفنية محفوظة هنا:

Hilti Entwicklungsgesellschaft mbH | Zulassung Geräte | Hiltistraße 6 | 86916 Kaufering, DE

## بيانات المنتج

الإزميل الدقاق	TE 2000-AVR
الجيل	01
الرقم المسلسل	9999999999-1

خيار: التفاصيل الخاصة بـ 2000/14/EG

## التفاصيل الخاصة بـ 2000/14/EG:

مستوى شدة الصوت المقاس للجهاز (L <sub>WA</sub> ): 96 ديسيبل (A)
مستوى قوة الصوت المضمون (L <sub>WA</sub> ): 100 ديسيبل (A)
إجراءات تقييم المطابقة وفقاً للملحق السادس هيئة الاختبار المعينة رقم 0044: TÜV NORD CERT GmbH, Am TÜV 1, 45307 Essen, Germany



**ja 適合宣言****適合宣言**

製造者は、単独の責任において本書で説明している製品が有効な法規と有効な標準規格に適合していることを宣言します。

技術資料は本書の後続の頁に記載されています：

**Hilti** Entwicklungsgesellschaft mbH | Zulassung Geräte | Hiltistraße 6 | 86916 Kaufering, DE

**製品データ**

電動ハツリ機	TE 2000-AVR
製品世代	01
製造番号	1-9999999999

オプション: 2000/14/EG についての詳細

**2000/14/EG についての詳細：**

サウンドパワーレベル(測定値) ( $L_{WA}$ ): 96 dB(A)
サウンドパワーレベル(保証値) ( $L_{WA,d}$ ): 100 dB(A)
添付資料 VI に準拠した適合性の評価手続き 指定の検査所 No. 0044: TÜV NORD CERT GmbH, Am TÜV 1, 45307 Essen, Germany

**ko 적합성 선언****적합성 선언**

본 제조사는 단독 책임 하에 여기에 기술된 제품이 통용되는 법 규정 및 규범과 일치함을 밝힙니다.

기술 문서는 이곳에 기술되어 있습니다.

**Hilti** Entwicklungsgesellschaft mbH | Zulassung Geräte | Hiltistraße 6 | 86916 Kaufering, DE

**제품 제원**

브레이커	TE 2000-AVR
세대	01
일련 번호	1-9999999999

옵션: 2000/14/EG 관련 세부 사항

**2000/14/EG 관련 세부 사항**

측정된 소음 수준 ( $L_{WA}$ ): 96dB(A)
허용 소음 수준 ( $L_{WA,d}$ ): 100dB(A)
부록 VI에 따른 적합성 평가 절차 공인 평가 기관 번호 0044: TÜV NORD CERT GmbH, Am TÜV 1, 45307 Essen, Germany

**zh 符合聲明****符合聲明**

基於製造商唯一的責任，本公司在此聲明本產品符合適用法規及標準。

技術文件已歸檔：

**Hilti** Entwicklungsgesellschaft mbH | Tool Certification | Hiltistrasse 6 | D-86916 Kaufering, Germany

**產品資訊**

鑿破機	TE 2000-AVR
產品代別	01
序號	1-9999999999



選配: 2000/14/EG詳細資訊

**2000/14/EG詳細資訊 :**

測得的聲功率級數 (L <sub>WA</sub> ): 96 dB(A)
保證的聲功率級數 (L <sub>WA,d</sub> ): 100 dB(A)
符合性評估程序係根據附錄六
指定測試機構編號0044 : TÜV NORD CERT GmbH, Am TÜV 1, 45307 Essen, Germany

**cn 符合性声明**

**符合性声明**

制造商全权负责声明, 此处所述及的产品符合现行法规和标准。

技术文档在此处归档 :

Hilti Entwicklungsgesellschaft mbH | Tool Certification | Hiltistrasse 6 | 86916 Kaufering, Germany

**产品信息**

破碎机	TE 2000-AVR
代次	01
序列号	1-99999999999

选装件: 2000/14/EG 详细信息

**2000/14/EG 详细信息 :**

测得的声功率级 (L <sub>WA</sub> ): 96 dB(A)
授予的声功率级 (L <sub>WA,d</sub> ): 100 dB(A)
按照附件 VI 的符合性评定程序
指定测试机构编号 0044 : TÜV NORD CERT GmbH, Am TÜV 1, 45307 Essen, Germany

**Hilti Corporation**  
Feldkircherstraße 100  
9494 Schaan | Liechtenstein  
**TE 2000-AVR (01)**



2006/42/EC  
2014/30/EU  
2011/65/EU  
2000/14/EC

EN 62841-1:2015, AC:2015, A11:2022  
EN IEC 55014-1:2021  
EN IEC 61000-3-2:2019, A1:2021

EN IEC 62841-2-6:2020/A11:2020  
EN IEC 55014-2:2021  
EN 61000-3-3:2013, A1:2019, A2:2021, A2:2021/AC:2022

Schaan, 29.03.2024

**Dr. Tahar Zrilli**  
Head of Quality and Process Management  
Business Area Electric Tools & Accessories

**Edward-Louis Przybyłowicz**  
Head of BU Power Tool & Accessories  
Business Area Electric Tools & Accessories

UK  
CA

**en UK Declaration of Conformity**

**Declaration of conformity**

The manufacturer declares, on his sole responsibility, that the product described here complies with the applicable legislation and standards.

The technical documentation is filed here:



2154382

**Product information**

Breaker	TE 2000-AVR
Generation	01
Serial no.	1-9999999999

**Option:** Details on 2000/14/EG**Details to Noise Emission in the Environment by Equipment for use Outdoors Regulations 2001:**

Measured sound power level ( $L_{WA}$ ): 96 dB(A)
Guaranteed sound power level ( $L_{WA,G}$ ): 100 dB(A)
Conformity assessment procedure according to Annex VI UK Approved Body Nr. 0044: HORIBA MIRA Certification Ltd Watling Street, Nuneaton, Warwickshire CV10 0TU (No 0888)

**Manufacturer:****Hilti Corporation**  
Feldkircherstraße 100  
9494 Schaan | Liechtenstein**TE 2000-AVR (01)**Supply of Machinery (Safety) Regulations  
2008Electromagnetic Compatibility Regulations  
2016The Restriction of the Use of Certain  
Hazardous Substances in Electrical and  
Electronic Equipment Regulations 2012Noise Emission in the Environment by  
Equipment for use Outdoors Regulations 2001**UK Importer:****Hilti (Gt. Britain) Limited**  
No. 1 Circle Square, 3 Symphony Park  
Manchester, England, M1 7FS

EN IEC 62841-2-6:2020/A11:2020

EN IEC 55014-2:2021

EN 61000-3-3:2013, A1:2019, A2:2021,  
A2:2021/AC:2022

Schaan, 29.03.2024

**Dr. Tahar Zrilli**Head of Quality and Process Management  
Business Area Electric Tools & Accessories**Edward-Louis Przybyłowicz**Head of BU Power Tool & Accessories  
Business Area Electric Tools & Accessories











Hilti Corporation  
LI-9494 Schaan  
Tel.:+423 234 21 11  
Fax:+423 234 29 65  
[www.hilti.group](http://www.hilti.group)



2154382